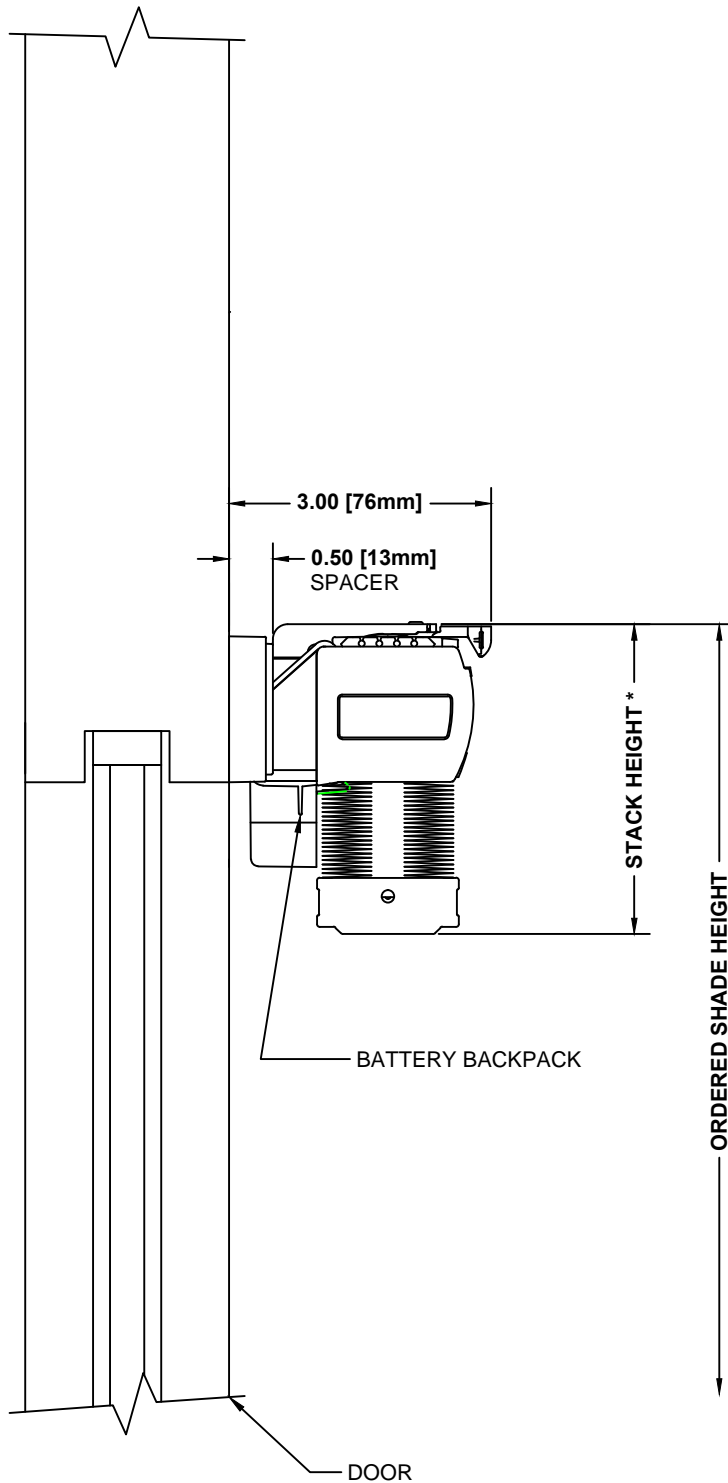


SERENA CELLULAR SHADE DETAIL DRAWING

SCALE: 1/2

010-SER-EXBAT-S



TYPICAL SECTION

* STACK HEIGHT VARIES BETWEEN 2.5" TO 5"
DEPENDING ON SHADE HEIGHT
AND FABRIC SELECTION.
THE ACTUAL HEIGHT IS ESTIMATED DURING
THE ONLINE ORDER PROCESS.

SERENA CELLULAR SHADE EXTERNAL BATTERY PACK
REV: -
DRAWING # 010-SER-EXBAT-S

Lutron Electronics Co., Inc.
7200 Suler Road | Coopersburg, PA 18036 | USA
1(800) 446-1503 | fax: (610) 282-7439
shadinginfo@lutron.com



Copyright © 2009 Lutron Electronics Co., Inc.