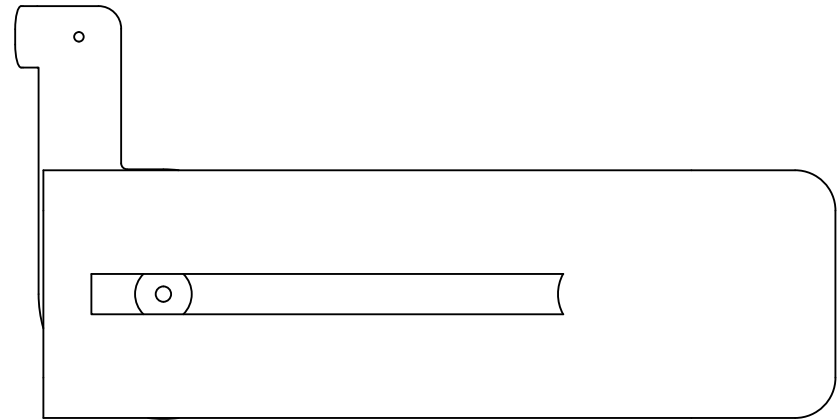
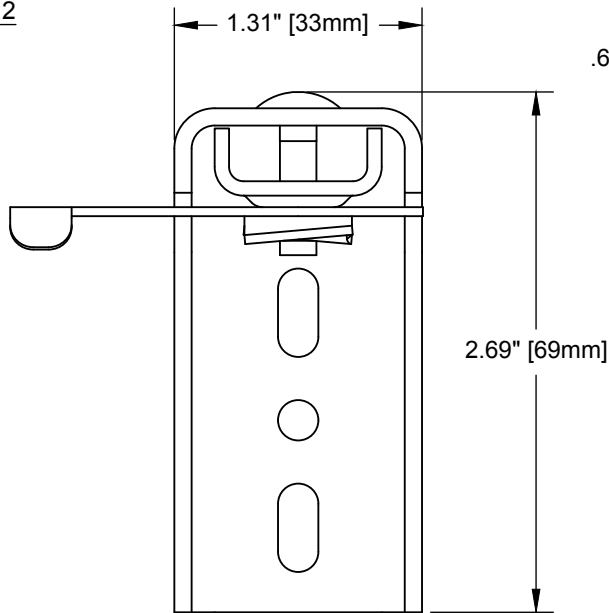


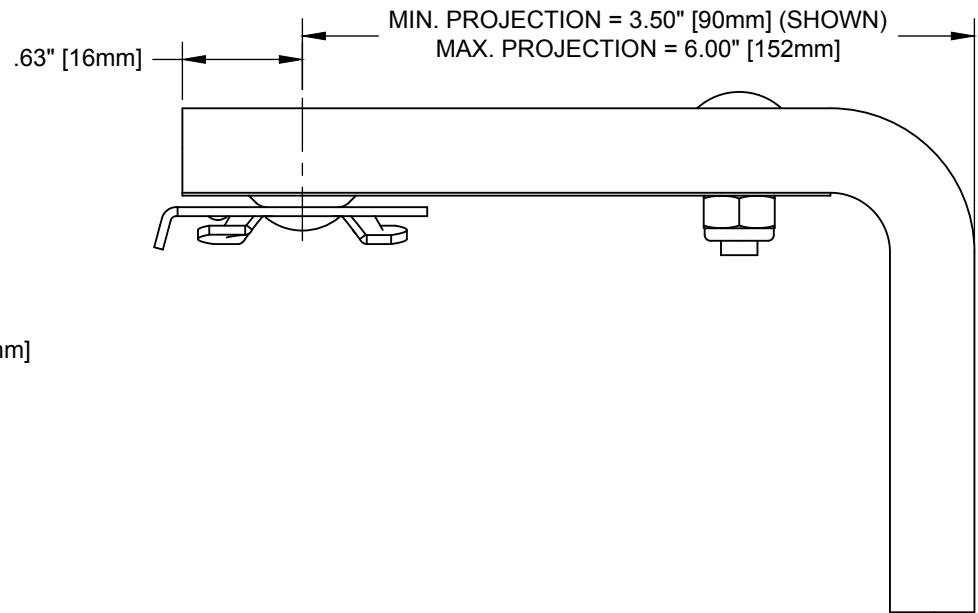
ISOMETRIC VIEW
SCALE 1:2



PLAN VIEW



SECTION VIEW



ELEVATION VIEW

WALL BRACKET

SCALE: 1/1

DRAWING #: 085564

REVISION: A