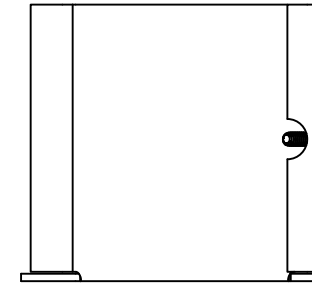
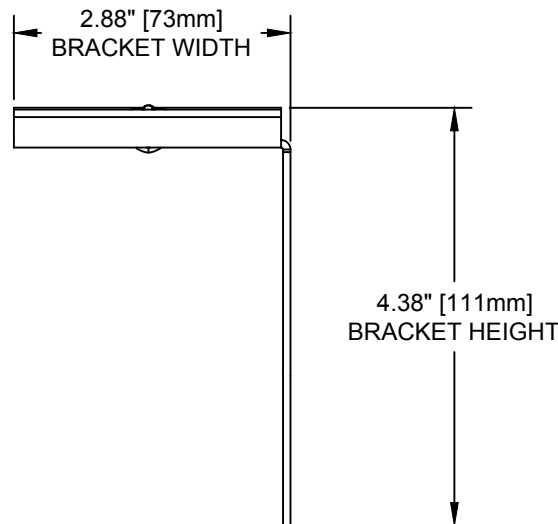


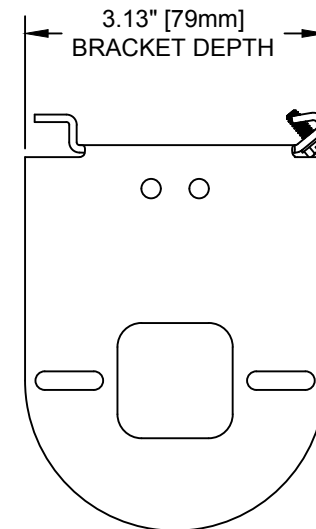
ISOMETRIC VIEW



PLAN VIEW



SECTION VIEW



ELEVATION VIEW

ROLLER 100/150/300 CEILING LEFT SHADE BRACKET

SCALE: 1/2

DRAWING #:

085511

REVISION: A