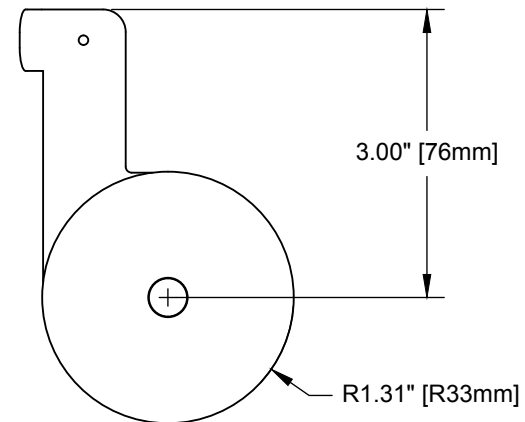
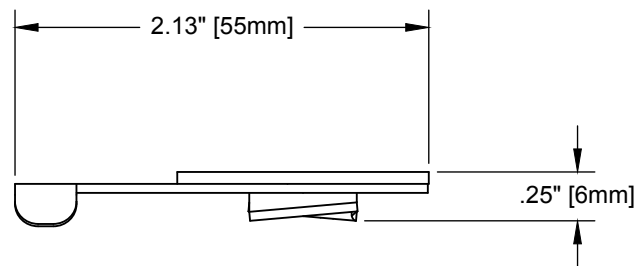


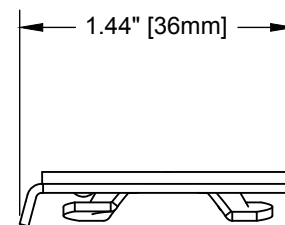
ISOMETRIC VIEW
(EXPLODED)



PLAN VIEW



SECTION VIEW



ELEVATION VIEW

CEILING CAMLOCK BRACKET AND WASHER

SCALE: 1/1

DRAWING #: 085562

REVISION: A