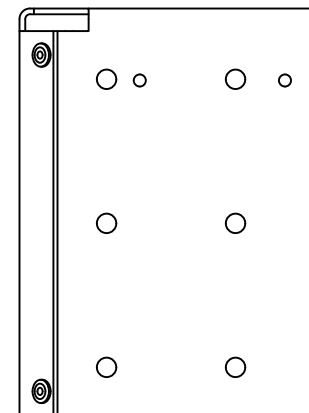
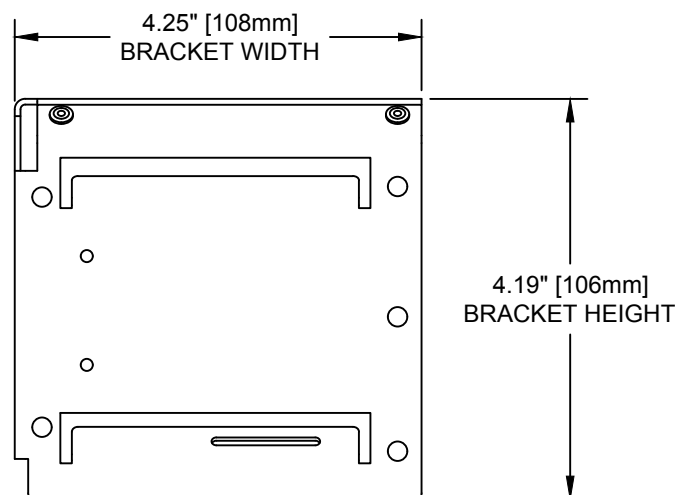


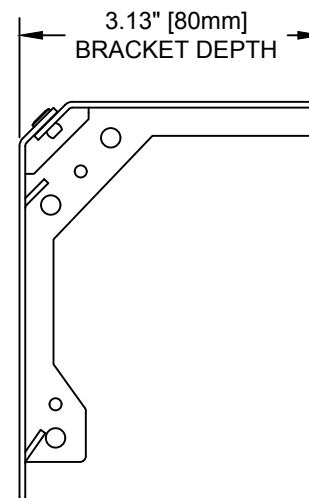
ISOMETRIC VIEW



PLAN VIEW



SECTION VIEW



ELEVATION VIEW

ROLLER 100/150/300 POCKET LEFT SUB-BRACKET

SCALE: 1/2

DRAWING #:

085513

REVISION: A