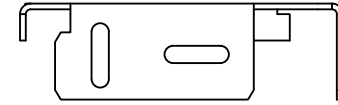
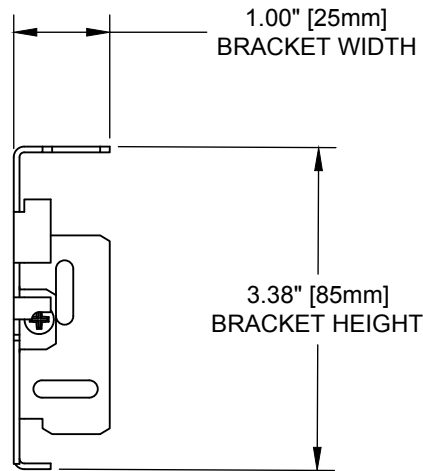


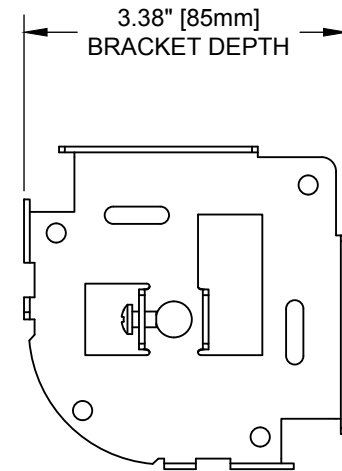
ISOMETRIC VIEW



PLAN VIEW



SECTION VIEW



ELEVATION VIEW

ROLLER 64 FASCIA SHADE BRACKET

SCALE: 1/2

DRAWING #: 085521

REVISION: A