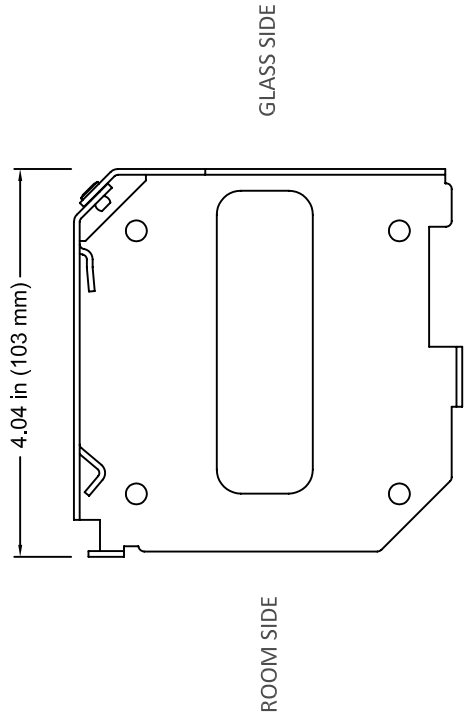
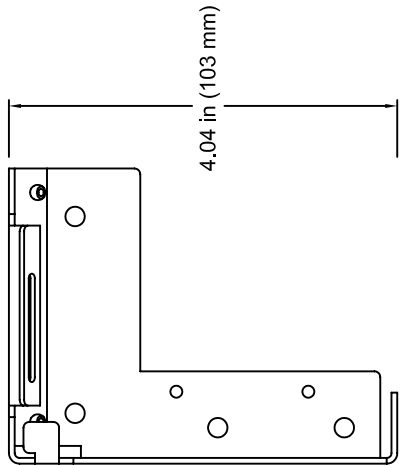


ISOMETRIC VIEW



ROLLER 100 / 200CW FASCIA SUB BRACKET (LEFT)
DRAWING #
REV: A

Lutron Electronics Co., Inc.
7200 Siler Road | Coopersburg, PA 18036 | USA
1(800) 446-1503 | fax: (610) 282-7439
shadrinfo@lutron.com