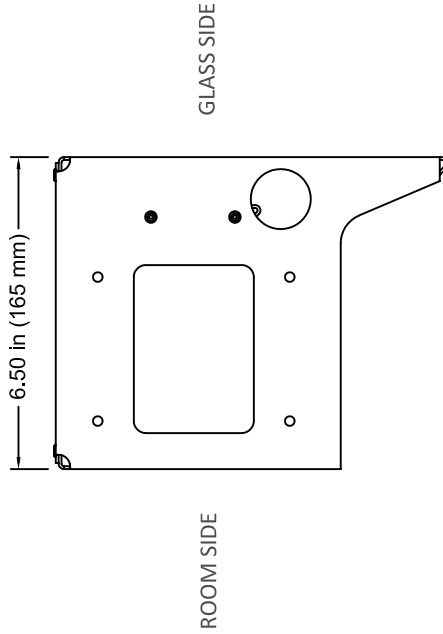
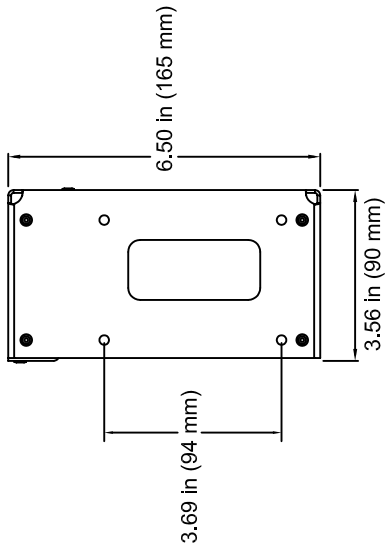


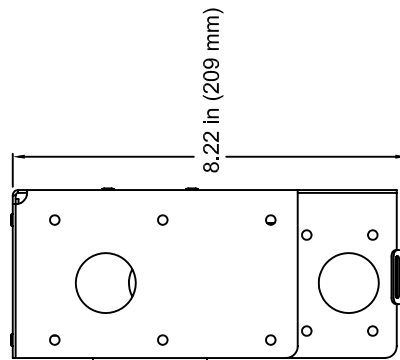
ISOMETRIC VIEW



SIDE VIEW



TOP VIEW



FRONT VIEW

ROLLER 100 / 200CW DUAL SUB BRACKET (LEFT)
DRAWING #
REV: A

Lutron Electronics Co., Inc.
7200 Siler Road | Coopersburg, PA 18036 | USA
1 (800) 446-1503 | fax: (610) 282-7439
shadrinfo@lutron.com

LUTRON
Copyright © 2009 Lutron Electronics Co., Inc.