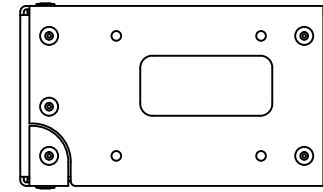
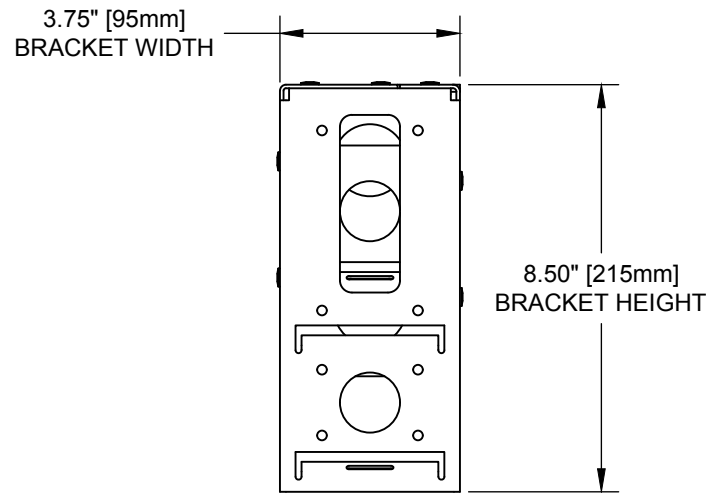


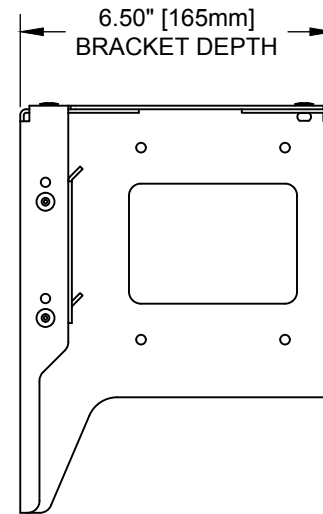
ISOMETRIC VIEW



PLAN VIEW



SECTION VIEW



ELEVATION VIEW

ROLLER 100/150/300 DUAL LEFT SUB-BRACKET

SCALE: 1/4

DRAWING #:

085400

REVISION: A