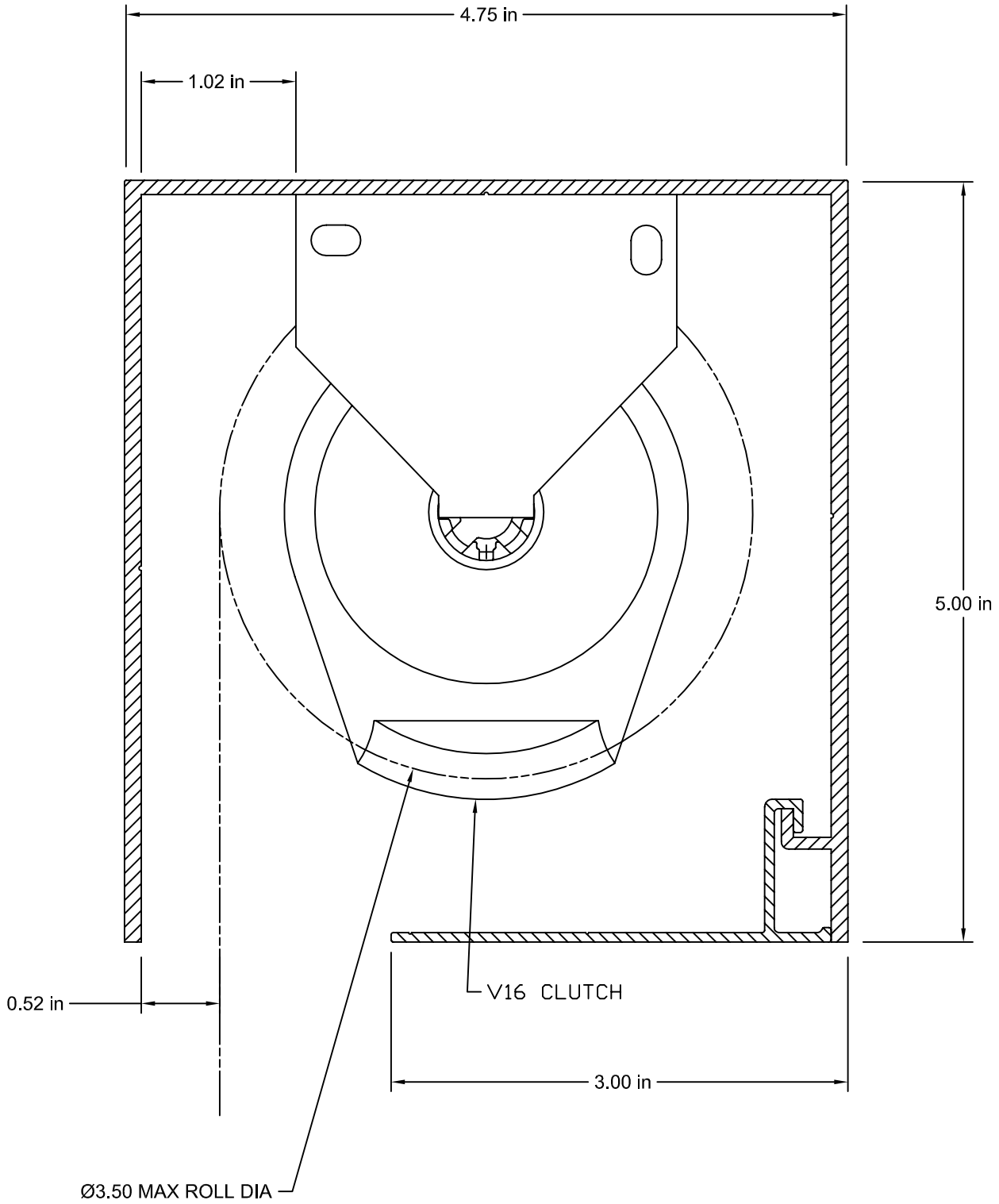


ROLLER SHADE DETAIL DRAWING

SCALE: 1/1

0185-V16M-PMT-S

REV: A



1

TYPICAL SECTION

SCALE: 1/1

V16 MANUAL ROLLER - POCKET MOUNT
DRAWING # 0185-V16M-PMT-S

Lutron Electronics Co., Inc.
7200 Suter Road | Coopersburg, PA 18036 | USA
1(800) 446-1503 | fax: (610) 282-7439
shadinginfo@lutron.com

LUTRON
Copyright © 2010 Lutron Electronics Co., Inc.