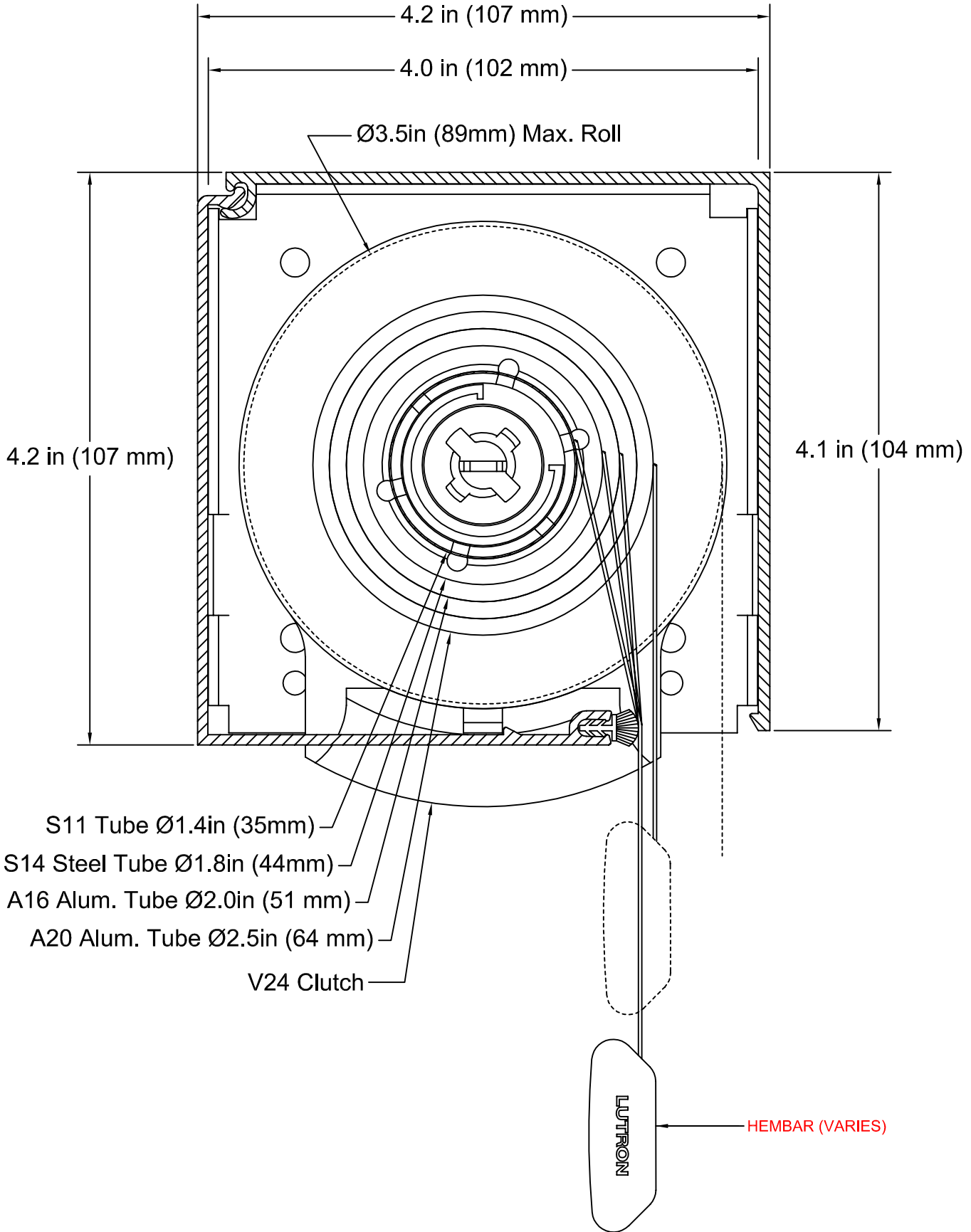


ROLLER SHADE DETAIL DRAWING

SCALE: 1/1

0197-V24M-SFM-S

REV: A



4.2 in (107 mm)

4.2 in (107 mm)

4.0 in (102 mm)

Ø3.5in (89mm) Max. Roll

4.1 in (104 mm)

S11 Tube Ø1.4in (35mm)

S14 Steel Tube Ø1.8in (44mm)

A16 Alum. Tube Ø2.0in (51 mm)

A20 Alum. Tube Ø2.5in (64 mm)

V24 Clutch

HEMBAR (VARIES)

LUTRON

1

TYPICAL SECTION

SCALE: 1/1

V24 MANUAL ROLLER - 4-INCH FASCIA MOUNT
DRAWING # 0197-V24M-SFM-S

Lutron Electronics Co., Inc.
7200 Suter Road | Coopersburg, PA 18036 | USA
1(800) 446-1503 | fax: (610) 282-7439
shadinginfo@lutron.com

LUTRON
Copyright © 2010 Lutron Electronics Co., Inc.