



Incandescent / Halogen Dimmer

NT-2000
120 V~ 60 Hz 2000 W

Description

This dimmer is for use with incandescent and halogen lamps only, 120 V~ 60 Hz. Do not connect to receptacles, fluorescent fixtures, motor-operated appliances, or transformer-supplied appliances.

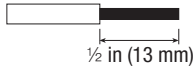
Important Notes

1. Install in accordance with national and local electrical codes.
2. Install dimmer in a 2-gang wallbox.
3. Dimmer is designed to operate indoors in ambient temperatures from 32 °F to 104 °F (0 °C to 40 °C).
4. Wire connectors provided are suitable for copper wire only. Use to join one 10 AWG (4 mm²) dimmer wire with one 10 AWG (4 mm²) or, one or two 12 AWG (2.5 mm²) supply wires.
Note: 12 AWG (2.5 mm²) wire or greater must be used for rated load.

Wire connectors provided are suitable for **copper wire only**.

Strip insulation from all wires:

½ in (13 mm) for 10 or 12 AWG (4 or 2.5 mm²).



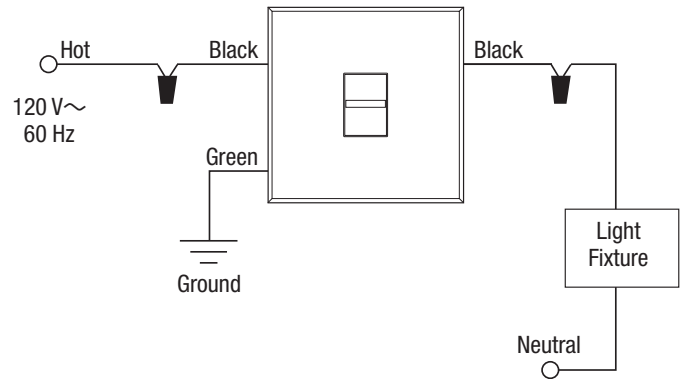
5. Check for short circuits in new installations before wiring dimmer. With power OFF, use standard switch and connect to lamp and voltage line. Turn power ON. If breaker trips, a short is present. Correct wiring and check circuit again. Install dimmer only when short is no longer present.
6. This dimmer is overload-protected. If more than the rated wattage is applied, power to the circuit will be reduced until the dimmer cools (this will be evident by a reduction in light level). If this happens, remove excess load from the circuit.
7. Multiphase applications: Use a separate neutral for each phase containing a control circuit. For more information, call the **Lutron Technical Support Center** and ask for Application Note 17, "Common Neutral Interaction."

Installation

If more than one dimmer is to be installed, review the Multigang Installation section (on back) before beginning. Lutron multigang faceplates are available for ganging multiple units.

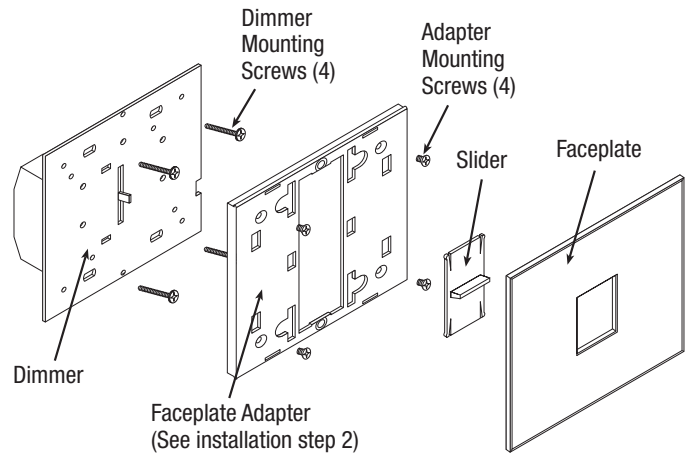
1. Turn power OFF at fusebox or circuit breaker.
WARNING: Wiring with power on may result in personal injury. Damage to this product caused by wiring with power on voids warranty.
2. Remove faceplate from dimmer to prevent damage and to access mounting holes. Pull from top of faceplate to remove. Set aside. Faceplate adapter does not need to be removed for installation.
3. Wire dimmer per wiring diagram using wire connectors provided.

Wiring Diagram



Mounting Instructions

1. Push wires into wallbox, allowing room for dimmer to be inserted. Do not pinch wires between wallbox and dimmer.
2. Mount dimmer to wallbox using the 4 screws provided. Dimmer must be mounted vertically. See stamp on dimmer for correct positioning.
3. Snap on faceplate.



Operation

Raise slider to increase light intensity. Lower slider to decrease light intensity and turn off.

Multigang Installation

Multiple controls can be installed in a series of interconnected wallboxes for a clean, consolidated appearance. Lutron multigang faceplates are available to complete the installation. Refer to instruction sheet supplied with multigang faceplates for installation. Controls must be ganged without removing side sections. The NT-2000 does not have side sections that are removable.

Note: When ganging any combination of small and large controls, place all small controls on one end of the gang and all large controls on the other. Use the chart below to determine the size and rating of each control.

Control Size and Rating Chart

Model	Control Size	No Sides Removed
NT-600	S	600 W
NT-1000	S	1000 W
NT-1500	L	1500 W
NT-2000	L	1950 W
NTLV-600	S	600 VA
NTLV-1000	S	1000 VA
NTLV-1500	L	1500 VA
NT-603P	S	600 W
NT-1003P	S	1000 W
NT-1503P	L	1500 W
NTLV-603P	S	600 VA
NTLV-1003P	S	1000 VA
NTLV-1503P	L	1500 VA
NTELV-300	S	300 W
NTELV-600	S	600 W
NTFS-6E	S	6 A
NTFS-12E	L	12 A
NTFSQ	S	1.5 A
NTF-10	S	16 A
NTF-10-277	S	8 A
NT-1PS	S	20 A
NT-3PS	S	20 A
NT-4PS	S	20 A

Worldwide Technical and Sales Assistance

If you have questions concerning the installation or operation of this product, call the **Lutron Technical Support Center**. Please provide exact model number when calling.

+1.800.523.9466 (U.S.A., Canada, and the Caribbean)

Other countries call +610.282.3800

Fax +1.610.282.1243

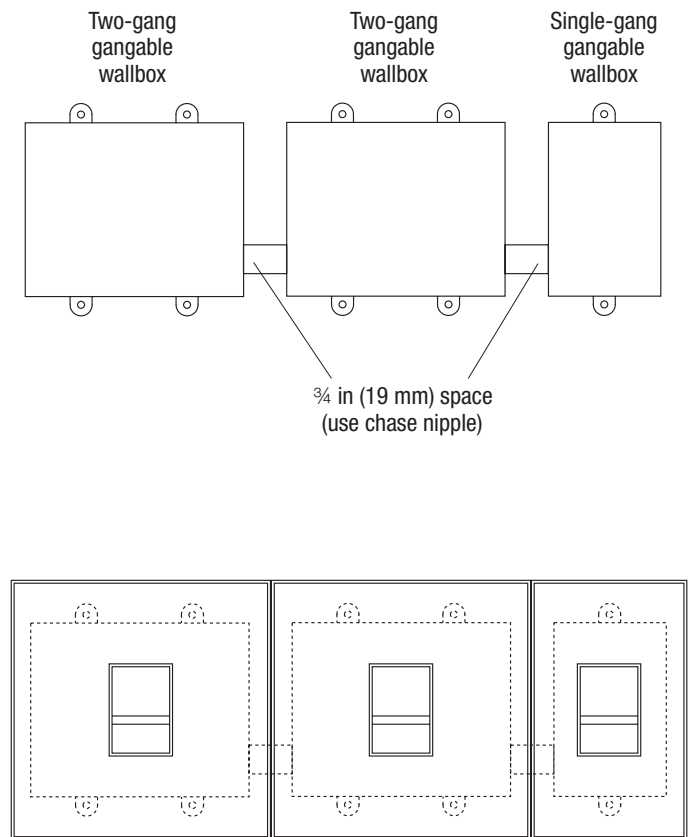
Visit our Web site at www.lutron.com

Wallbox Requirement Chart

		Number of Small Controls				
		0	1	2	3	4
Number of Large Controls	0	0	1	1+1	4	4+1
	1	2	1+2	1+1+2	4+2	4+1+2
	2	2+2	1+2+2	1+1+2+2	8	10
	3	2+2+2				

Note: When ganging with NT-2000, side sections of other controls should be left intact. The NT-2000 **does not** have side sections that are removable. Use gangable 3 in x 2 in (76 mm x 51 mm) wallboxes. Space an additional wallbox $\frac{3}{4}$ in (19 mm) apart from the other wallboxes. A $\frac{3}{4}$ in (19 mm) chase nipple is recommended as a spacer between wallboxes.

Example: Wallbox arrangement required for ganging 2 large and one small control with no side sections removed.



Limited Warranty

Lutron will, at its option, repair or replace any unit that is defective in materials or manufacture within one year after purchase. For warranty service, return unit to place of purchase or mail to Lutron at 7200 Suter Rd., Coopersburg, PA 18036-1299, postage pre-paid.

THIS WARRANTY IS IN LIEU OF ALL OTHER EXPRESS WARRANTIES, AND THE IMPLIED WARRANTY OF MERCHANTABILITY IS LIMITED TO ONE YEAR FROM PURCHASE. THIS WARRANTY DOES NOT COVER THE COST OF INSTALLATION, REMOVAL OR REINSTALLATION, OR DAMAGE RESULTING FROM MISUSE, ABUSE, OR DAMAGE FROM IMPROPER WIRING OR INSTALLATION. THIS WARRANTY DOES NOT COVER INCIDENTAL OR CONSEQUENTIAL DAMAGES. LUTRON'S LIABILITY ON ANY CLAIM FOR DAMAGES ARISING OUT OF OR IN CONNECTION WITH THE MANUFACTURE, SALE, INSTALLATION, DELIVERY, OR USE OF THE UNIT SHALL NEVER EXCEED THE PURCHASE PRICE OF THE UNIT.

This warranty gives you specific legal rights, and you may have other rights which vary from state to state. Some states do not allow the exclusion or limitation of incidental or consequential damages, or limitation on how long an implied warranty may last, so the above limitations may not apply to you.

Lutron and Nova Tr are registered trademarks of Lutron Electronics Co., Inc.
© 2011 Lutron Electronics Co., Inc.