

# GRX-LC8 CONTROLLER

## Installation and Setup Instructions

*Please Read*

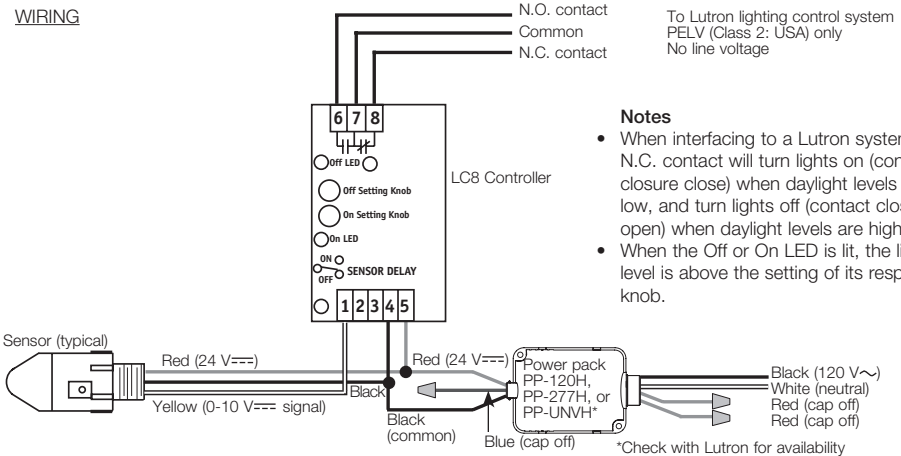
### DESCRIPTION

The GRX-LC8 controller works with a GRX-CES series daylight sensor to allow for changes to be made to a Lutron lighting system through a contact closure. It is a single channel lighting controller that features an adjustable ON setpoint as well as an adjustable OFF setpoint. The controller features a signal deadband and time delay to ensure lighting stability. The controller is powered by a PP series power pack.

### INSTALLATION

Mount the controller using the adhesive strips provided. Choose a location where the PP series power pack can be provided with power.

### WIRING



### Notes

- When interfacing to a Lutron system, the N.C. contact will turn lights on (contact closure close) when daylight levels are low, and turn lights off (contact closure open) when daylight levels are high.
- When the Off or On LED is lit, the light level is above the setting of its respective knob.

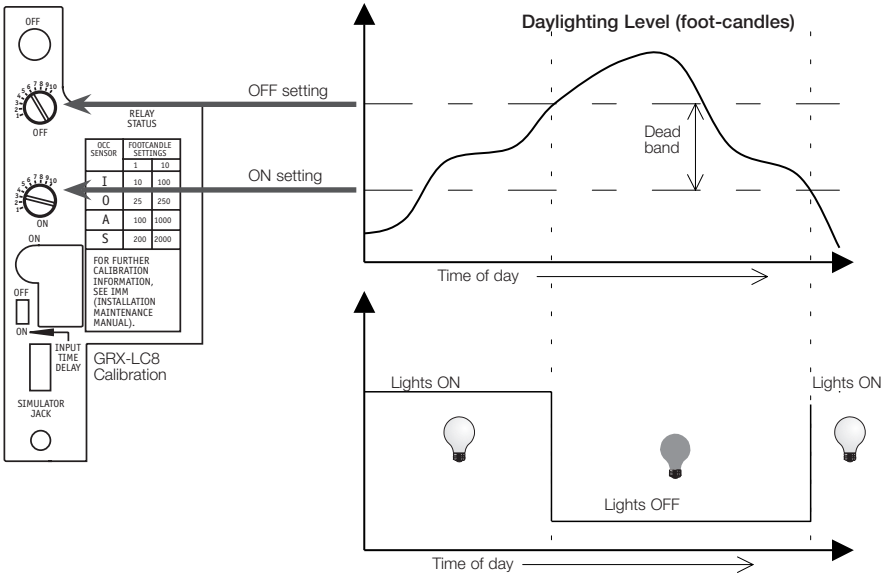
### CALIBRATION

Each GRX-CES sensor is calibrated during manufacturing to the light levels in its intended environment (indoor, outdoor, etc.). Below is a chart of the settings for each model. The first column corresponds to the settings on the adjustment knobs in the GRX-LC8 controller.

| Adjustment Knob Setting | Corresponding Foot-Candle Thresholds |          |          |          |
|-------------------------|--------------------------------------|----------|----------|----------|
|                         | GRX-CESI                             | GRX-CESA | GRX-CESS | GRX-CESO |
| Below 1                 | 0                                    | 2        | 10       | 0        |
| 1                       | 10                                   | 100      | 200      | 25       |
| 2                       | 20                                   | 200      | 400      | 50       |
| 3                       | 30                                   | 300      | 600      | 75       |
| 4                       | 40                                   | 400      | 800      | 100      |
| 5                       | 50                                   | 500      | 1000     | 125      |
| 6                       | 60                                   | 600      | 1200     | 150      |
| 7                       | 70                                   | 700      | 1400     | 175      |
| 8                       | 80                                   | 800      | 1600     | 200      |
| 9                       | 90                                   | 900      | 1800     | 225      |
| 10                      | 100                                  | 1000     | 2000     | 250      |

**CALIBRATION (CONTINUED)**

Using the chart on the previous page, set the On adjustment knob: This is the low light level that will trigger your lights to go on. Set the Off adjustment knob: This is the high light level that will trigger your lights to turn off. For proper operation, set the On knob at least 10% (1 tick mark on the knob) lower than the Off knob to create the dead band.



**TROUBLESHOOTING**

If your system is not functioning, check for the following problems:

- Check the controller power: On the GRX-LC8 controller, you should be able to measure 24 V<sub>DC</sub> between terminals 4 and 5.
- Check the sensor power: Connect a voltmeter between its yellow and black wires. When the sensor is covered, it should produce 0 V<sub>DC</sub>, and when it is in bright light, it should produce 10 V<sub>DC</sub>. If this is not the case, replace the sensor.
- Check the controller function: The input delay switch should be off (up). With no sensor connected, all three LEDs should be lit; when you short terminals 1 and 2 together, the LEDs should turn off. If this is not the case, replace the controller.
- Check the controller settings: On the GRX-LC8 controller, the adjustment knob settings may be faulty. Follow the above calibration instructions to reset.



**World Headquarters**  
 Lutron Electronics Co., Inc.  
 7200 Suter Road  
 Coopersburg, PA 18036  
 TEL +1-610-282-3800  
 FAX +1-610-282-1243  
 Internet: www.lutron.com  
 E-mail: product@lutron.com

**LIMITED WARRANTY**

Lutron will, at its option, repair or replace any unit that is defective in materials or manufacture within one year after purchase. For warranty service, return unit to place of purchase or mail to Lutron at 7200 Suter Rd., Coopersburg, PA 18036-1299, postage pre-paid.

*This warranty is in lieu of all other express warranties, and the implied warranty of merchantability is limited to one year from purchase. This warranty does not cover the cost of installation, removal or reinstallation, or damage resulting from misuse, abuse, or improper or incorrect repair, or damage from improper wiring or installation. This warranty does not cover incidental or consequential damages. Lutron's liability on any claim for damages arising out of or in connection with the manufacture, sale, installation, delivery, or use of the unit shall never exceed the purchase price of the unit.*

This warranty gives you specific legal rights, and you may also have other rights which vary from state to state. Some states do not allow limitations on how long an implied warranty lasts, so the above limitation may not apply to you. Some states do not allow the exclusion or limitation of incidental or consequential damages, so the above limitation or exclusion may not apply to you.

Lutron and the sunburst logo are registered trademarks of Lutron Electronics Co., Inc. © 2009.

Lutron Electronics Co., Inc.  
 Made and printed in U.S.A.  
 P/N 031-290 Rev. A 08.04.09

