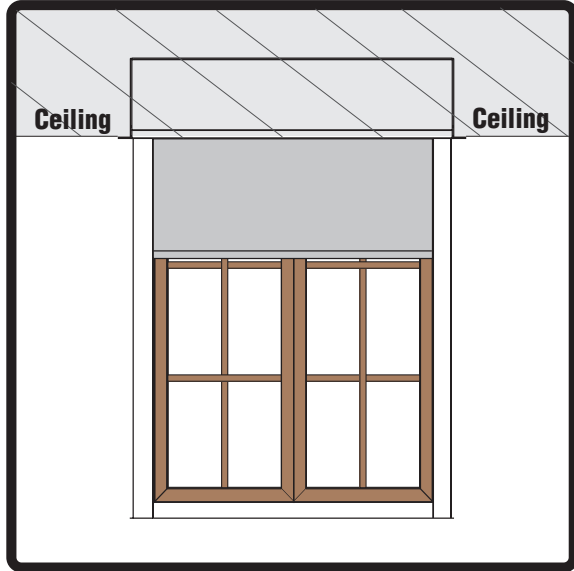


Fascia Shade Pocket



Description

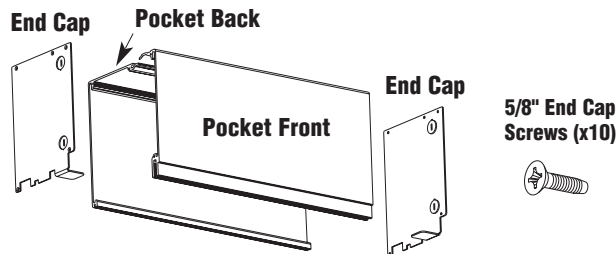
The Sivoia® SV-POCKET-1 Recessed Shade Pocket (to be used in conjunction with an SV-MDU-20) offers blackout capability for the window and a protective enclosure for the entire shade system.

Important Notes

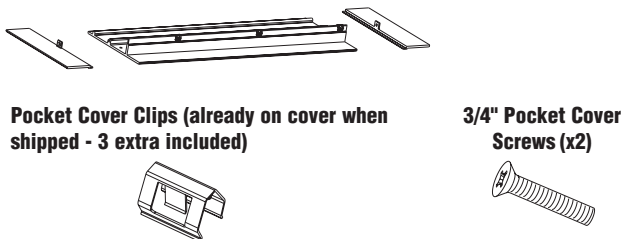
1. Each individual pocket cannot exceed a 15 foot width. Greater widths can be accommodated by ganging multiple pockets.
2. When planning to install a *Sivoia* Recessed Shade Pocket, allow space for the following dimensions:
 - Minimum clearance width = Pocket Width + 1/4" (6 mm)
 - Minimum clearance height = 8 3/4" (222 mm)
 - Minimum pocket depth = 6 1/2" (165 mm)
3. For ease of installation, three (3) individuals may be required.
4. Pocket requires standard support for **9 lbs./ft.**

Parts Included With This Package:

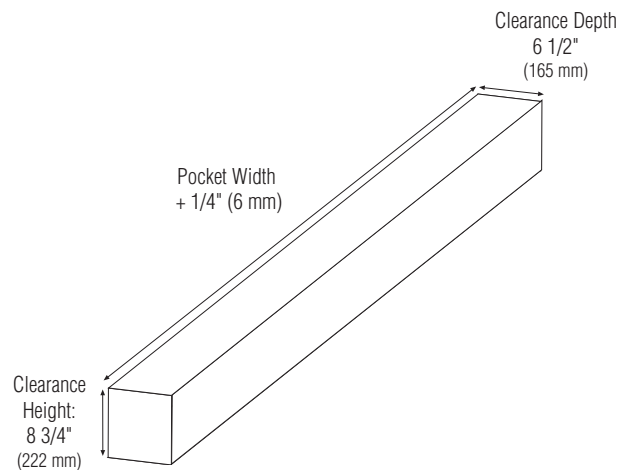
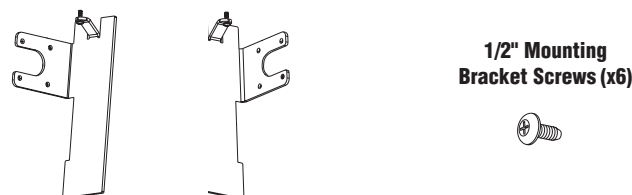
Pocket



Flanged Pocket Cover



Mounting Brackets



Required Tools:

- Any necessary tools to hang the pocket (**fasteners to be supplied by the installer**).
- Power Drill with #28 Drill Size (0.140" hole size)

I. Pre-Installation/Pocket Assembly

1 Assemble Pocket

Insert the top flange of the pocket front into the receiving cavity of the pocket back. Angle the pocket front (Figure A), slide the flange into place, and lower the pocket front. The two pieces should fit snugly (Figure B), forming a level surface on top of the pocket.

Figure A

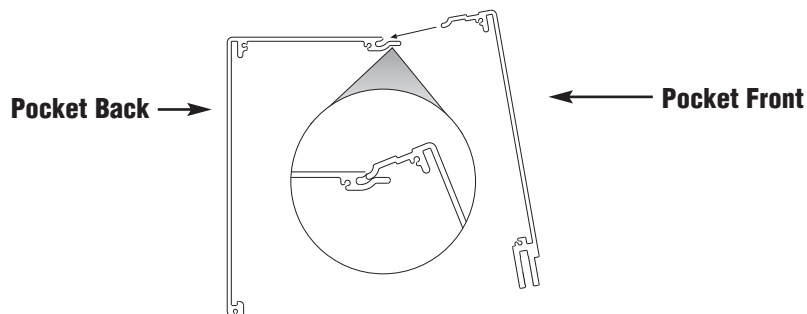
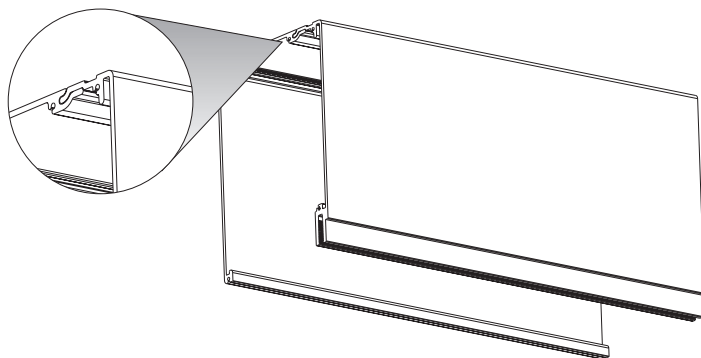
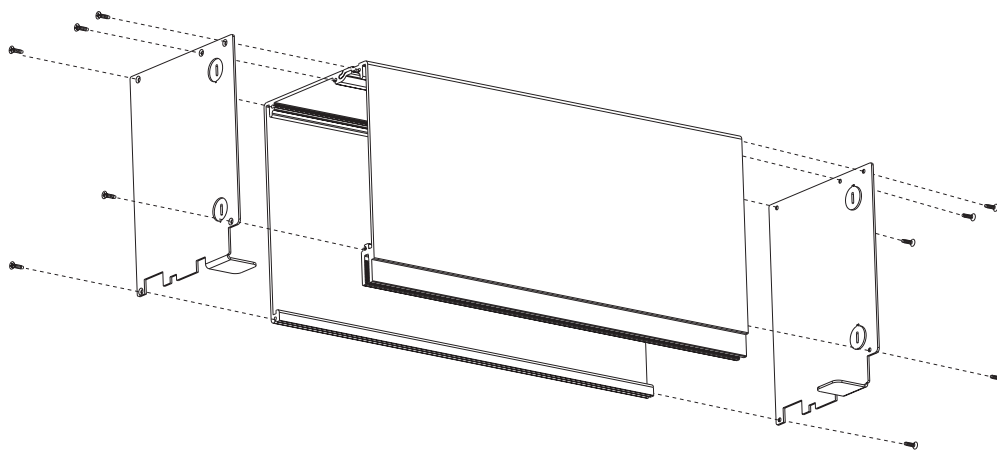


Figure B



2 Attach End Caps

Mount the end caps as shown using five (5) screws per cap.



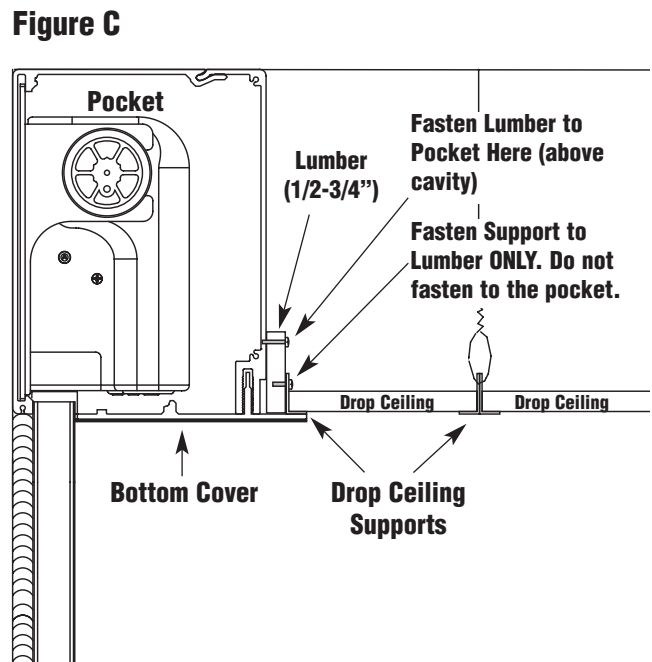
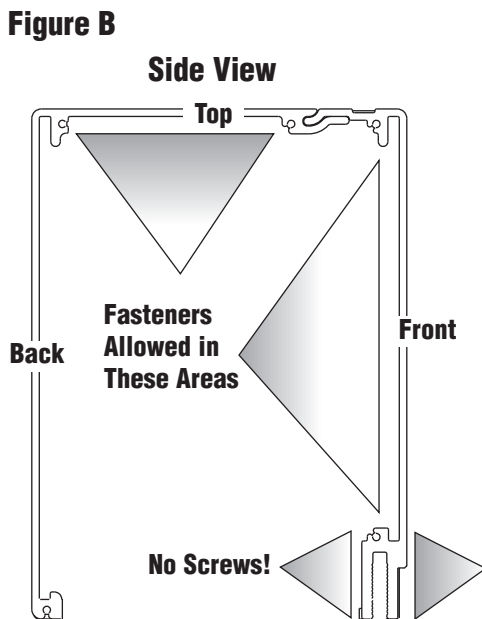
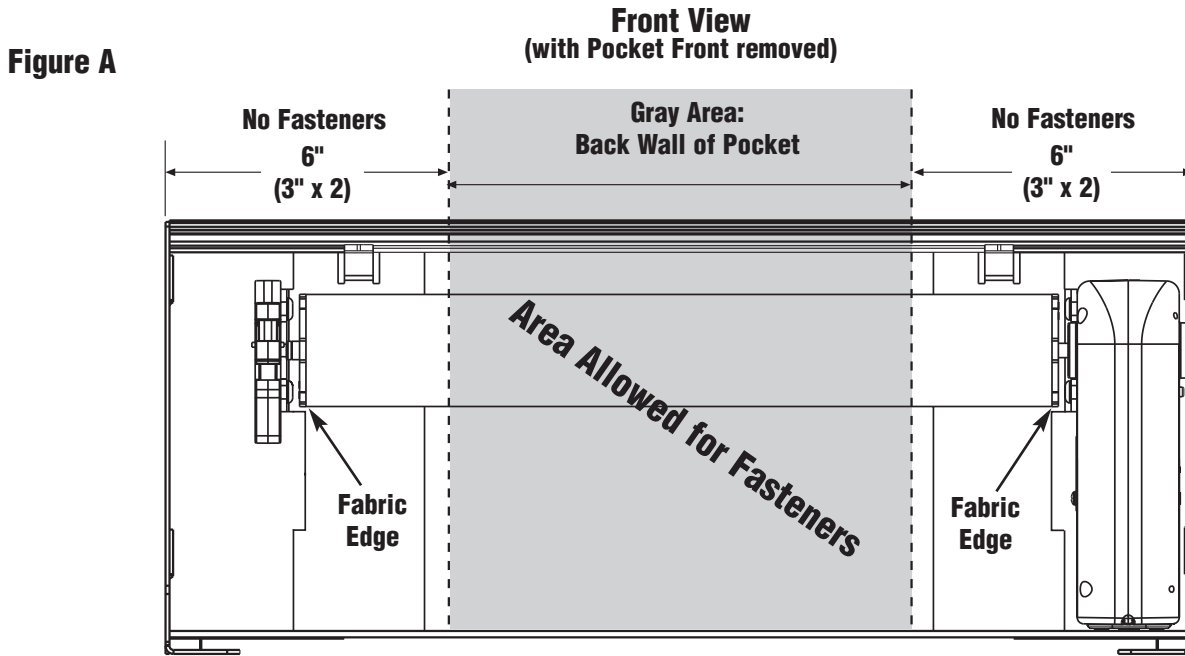
II. Installation

1 Attach Pocket

Note: Only mount system where ambient temperature will be 0°C–50°C (32°F–122°F).

Choosing which fasteners to use when attaching the pocket is left to the discretion of the installer.

1. The weight of the pocket is **9 lbs./ft.**
2. Keep all fasteners at least 3" from any fabric edge if the fastener is attached to the pocket back (**Figure A**). This does not apply if the fasteners are located on the **top** or **front** walls of the pocket (**Figure B**).
3. Do not fasten any drop ceiling supports to the cavity area on the pocket front (as shown in **Figure B**: "No Screws!"). See **Figure C** for an alternative solution for fastening drop ceiling supports.



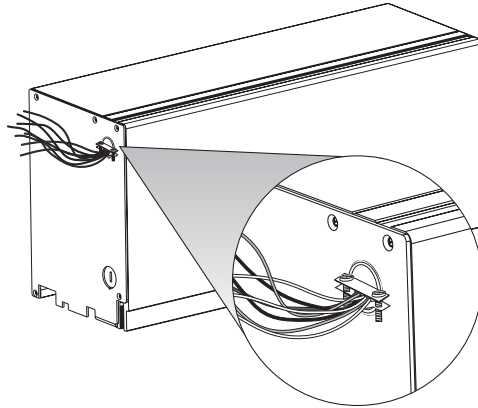
II. Installation (continued)

2 Bring Wiring into the Pocket

Remove one of the 7/8" (22 mm) knockouts (located on the side covers) to allow the MDU wiring to enter the pocket.

Notes:

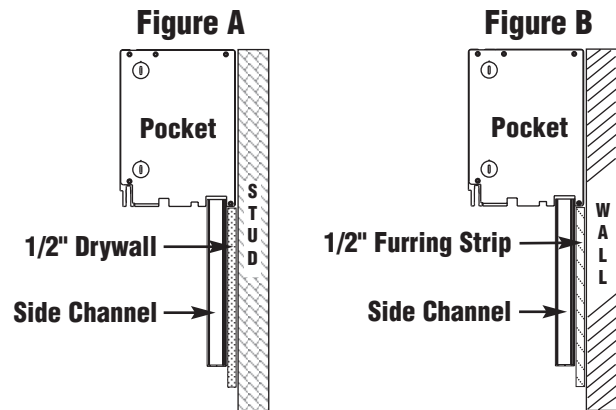
1. It is recommended that the installer provide a strain relief device to prevent damage to the wiring.
2. If necessary, it is possible to drill a hole through the top of the pocket as an alternative wire entry. Contact VIMCO for details.



3 Add Side Channels (Optional)


- A.** Mount the pocket to the wall stud (Figure A), allowing the drywall to bring the side channels flush.

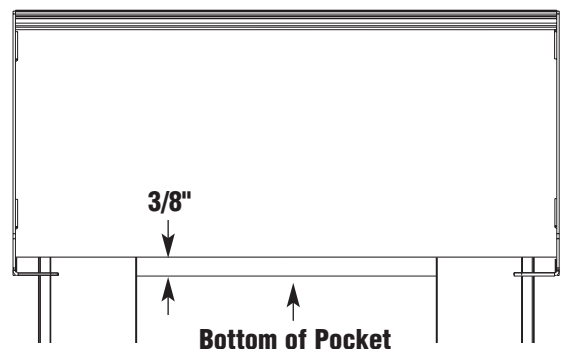
Note: To mount directly to the wall (Figure B), add 1/2" (13 mm) furring strips to where the side channels are to be mounted. This will bring the side channels flush with the pocket.



- B.** Mount the top of the side channels 3/8" (10 mm) inside the bottom of the pocket.

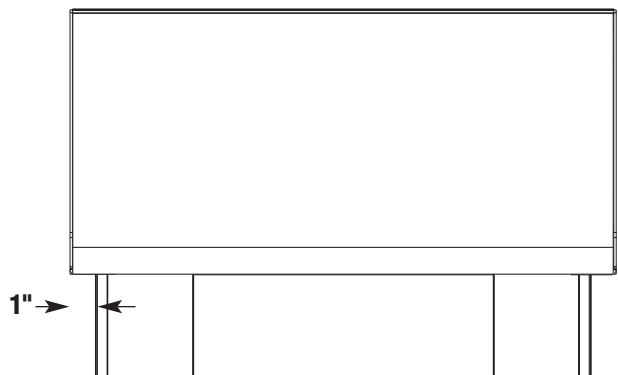
Note: This diagram shows the pocket without a front cover for instruction purposes.

 **Caution!** 3/8" (10 mm) engagement into the pocket is necessary to ensure complete blackout once the shade is in place.



- C.** Mount the 2-1/2" (64 mm) side channels (other sizes available) 1" (25 mm) from each side of the pocket (measure towards the center of the pocket).

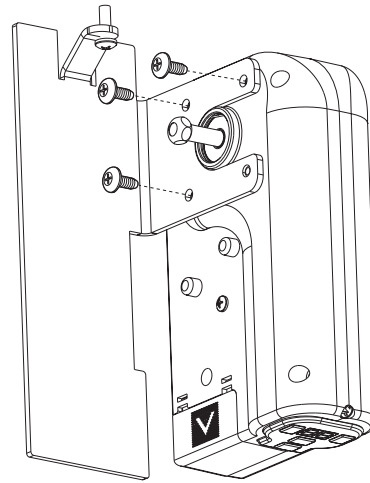
Note: For inside pocket mount applications, the 3-1/2" (89 mm) side channel is recommended. Mount the channels flush with the sides of the pocket to ensure complete blackout.



III. Installing Brackets

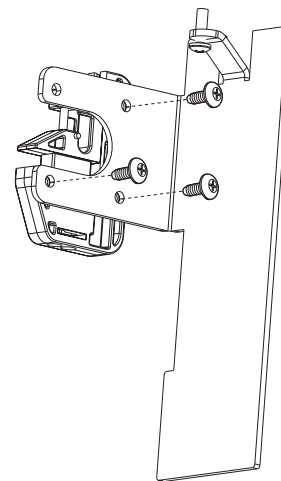
1 Attach the MDU to the Bracket

Attach the MDU to the mounting bracket using three (3) truss head screws.



2 Attach the Idler Support to the Bracket

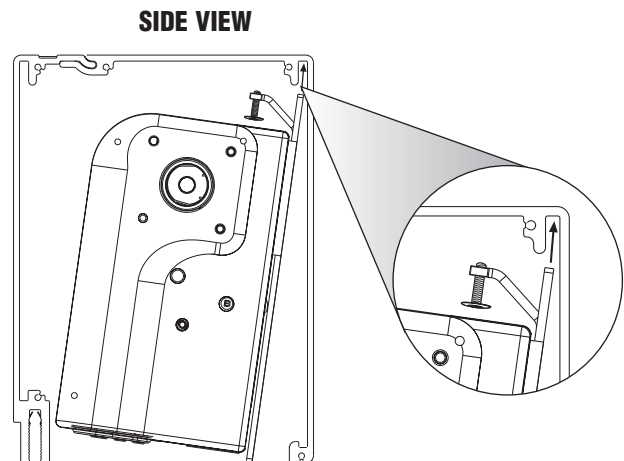
Attach the idler support to the mounting bracket using three (3) truss head screws.



3 Slide the Brackets into Place

A. Slide the top flange of the bracket into the upper slot on the back wall of the pocket.

Further bracket placement instructions are included on the next page ...

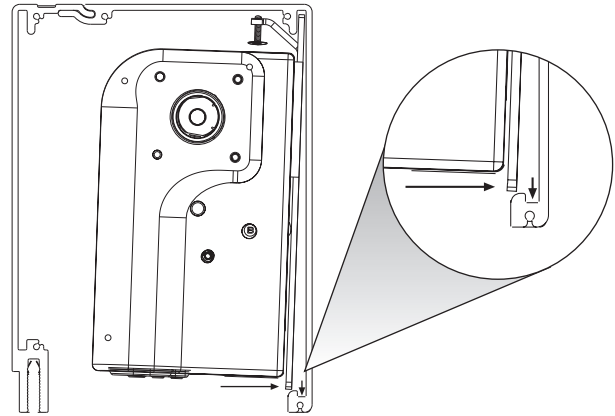


III. Installing Brackets (continued)

3

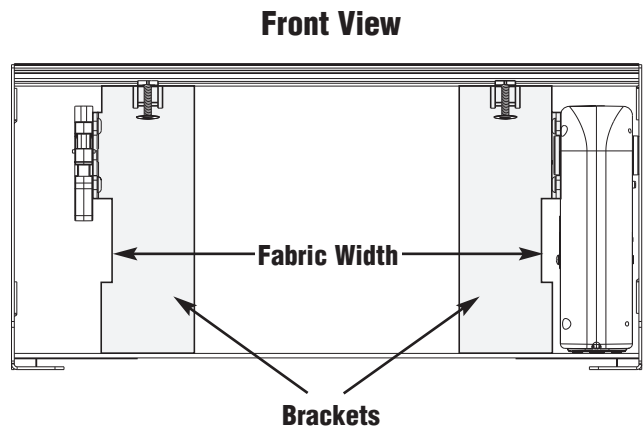
Slide the Brackets into Place (cont'd)

- B.** While pushing the top flange as high as it will go into the upper slot, drop the bottom flange of the bracket into the lower slot



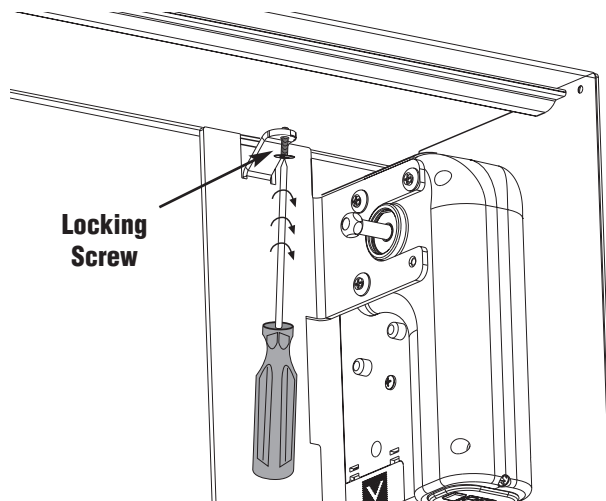
- C.** Position the brackets using the Fabric Width measurement as a guide.

Note: Use the indentation on the outer edge of each bracket as a fabric edge indicator.



- D.** Tighten the locking screw against the pocket ceiling to secure the brackets in place.

Once the brackets are in place, proceed with installing the shade(s) as instructed in the SV-MDU-20, SV-CP, or SV-MMDP Installation Guide (depending on the application).



IV. Attach Pocket Cover

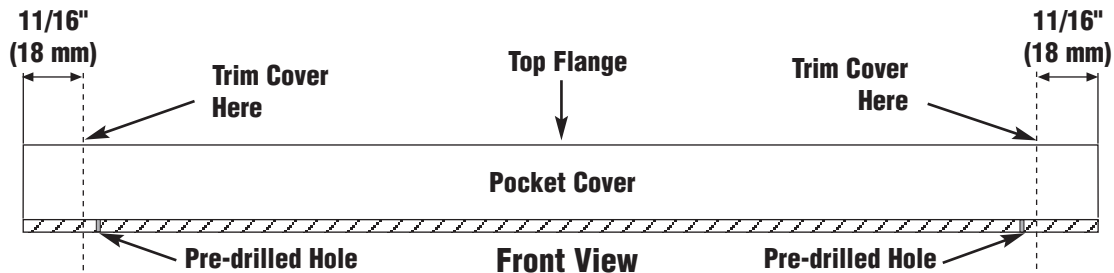
1 Prepare Pocket Cover

If the pocket cover does **not** require the side flanges (**inside-mount** application) included with this kit, **proceed to Step 2 below.**

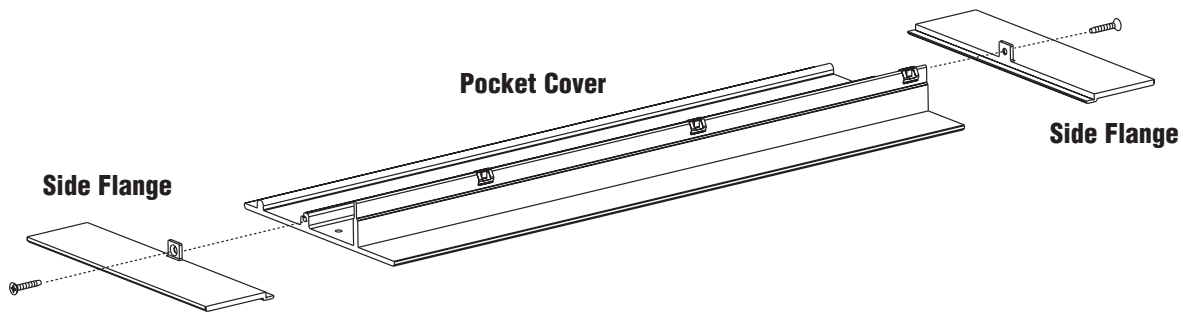
For **outside-mount** applications, it is necessary to attach the side flanges to the pocket cover. Follow these steps:

A. Trim the pocket cover at each end $11/16"$ (18 mm) using a chop saw and debur the edges.

Caution! Make sure to trim the cover at each end. Do not add the measurements and trim from one side, or one of the pre-drilled holes for fastening the cover to the pocket will be eliminated.



B. Fasten the side flanges to the pocket cover using the screws provided.

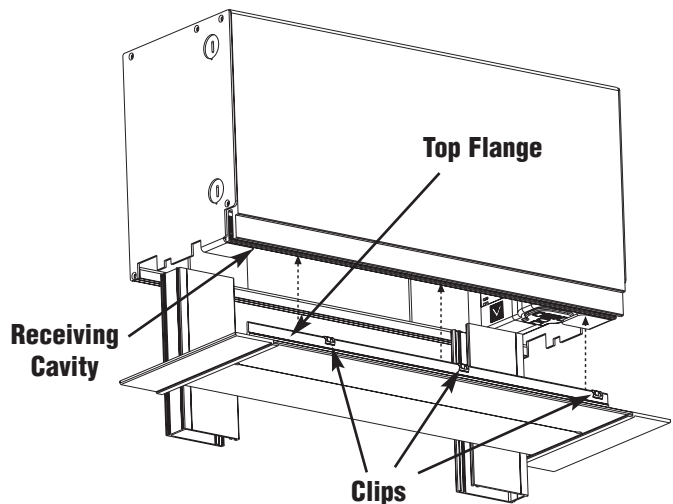


2 Attach Pocket Cover

Note: These steps show an **outside-mount** application for attaching the pocket cover. **Inside-mount** applications follow this same procedure.

A. Push the pocket cover into place by inserting the clips on the cover's top flange into the pocket's receiving cavity.

Note: These clips should be placed 8" (203 mm) to 12" (305 mm) apart and snap firmly into the cavity.



IV. Attach Pocket Cover (continued)

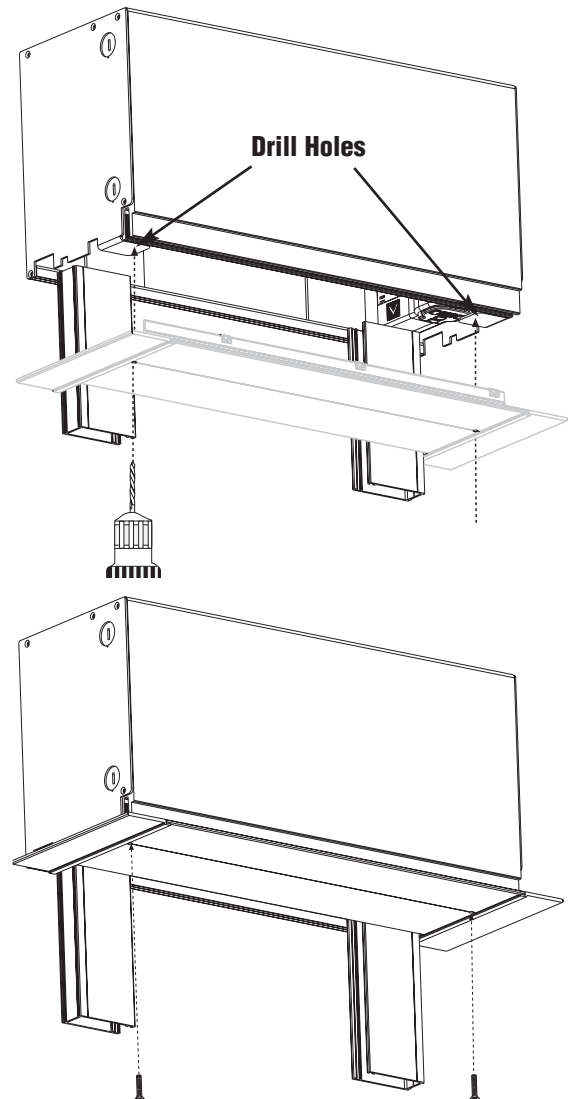
2

Attach Pocket Cover (cont'd)

B. Use the pocket cover holes as guides to drill matching holes (**drill size #28, 0.140" (4 mm) hole size**) into the pocket base.

C. Insert and tighten the two (2) pocket cover screws to securely fasten the cover in place.

Note: The cover screws also act as a leveling mechanism for the cover. Finding the desired level position for the cover can be achieved by tightening or loosening the screws.



LIMITED WARRANTY

VIMCO will, at its option, repair or replace any unit that is defective in materials or manufacture within two years after purchase. Partial coverage is available for up to eight years after purchase. For warranty service, either return unit to place of purchase, or contact VIMCO Shading Systems (subsidiary of Lutron) by telephone toll-free at 1-800-446-1503, or mail to VIMCO Shading Systems, 11520 Sun Shade Lane, Ashland, VA 23005, postage pre-paid. For complete warranty details, refer to the warranty sheet included with this system, or visit the VIMCO website at www.vimco.com.

This warranty is in lieu of all other express warranties, and the implied warranty of merchantability is limited to two years from purchase. This warranty does not cover the cost of installation, removal or reinstallation, or damage resulting from misuse, abuse, or improper or incorrect repair, or damage from improper wiring or installation. This warranty does not cover incidental or consequential damages. VIMCO's liability on any claim for damages arising out of or in connection with the manufacture, sale, installation, delivery, or use of the unit shall never exceed the purchase price of the unit.

This warranty gives you specific legal rights, and you may also have other rights which vary from state to state. Some states do not allow limitations on how long an implied warranty lasts, so the above limitation may not apply to you. Some states do not allow the exclusion or limitation of incidental or consequential damages, so the above limitation or exclusion may not apply to you.

Lutron, Sivoia, and the Sunburst logo are registered trademarks of Lutron Electronics Co., Inc. VIMCO and shading solutions by VIMCO are trademarks of Virginia Iron & Metal Company, Inc.

© 2003 Virginia Iron & Metal Company, Inc.

Internet: www.vimco.com, www.lutron.com

E-mail: info@vimco.com