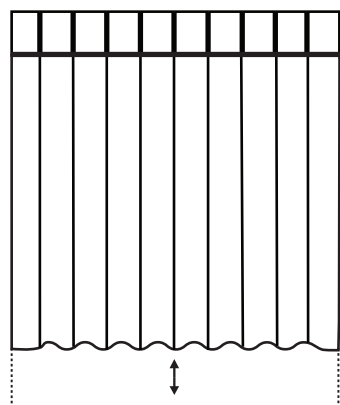


Lutron® Kirbé vertical drapery chassis

English

Installation Guide (please read before installing)



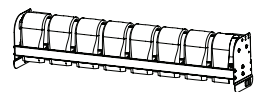
The Kirbé vertical drapery Installation Guide is a complement to the enclosed Basic Wiring and Setup Guide. The Chassis Installation Guide describes the mechanical installation. The Basic Wiring and Setup Guide describes the wiring and setup for basic function of the roller shade.

Tools required:

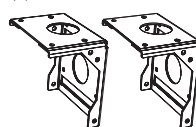
Tape Measure 1/4 in Hex-Head Driver Level
#2 Phillips Screwdriver Power Drill

Box Contents:

(1) Kirbé vertical drapery



(2) Jamb sub-brackets



(8) Mounting screws
(#8x1.75 in)



(2) Extra retaining screws
(#6x.25 in)



(2) 4 in (102 mm) cable ties



CAUTION: Risk of minor or moderate injury from falling heavy objects. Securely install the roller shade per the mounting instructions.

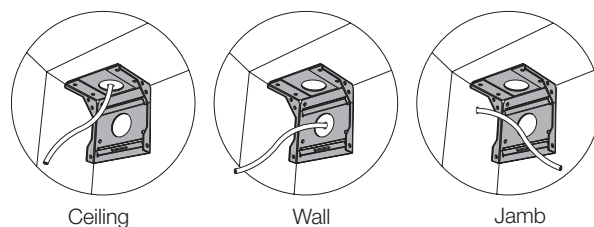
Notes:

- Lutron systems are intended for use with only Lutron hardware, controls, and power supplies.
- Shades wider than 4 ft (1.2 m) require two people to install.
- Codes:** Install in accordance with all local and national electrical codes.
- Environment:** Ambient operating temperature: 32 °F - 104 °F (0 °C - 40 °C), 0 - 90% humidity, non-condensing. Indoor use only.
- Maintain sufficient clearance between the moving drape and any object.

1 Pre-drill for cable

- 1.1 Position the sub brackets to determine where to drill for cable access. See options below. The cable can exit from the wall, ceiling or jamb on the drive side of system.

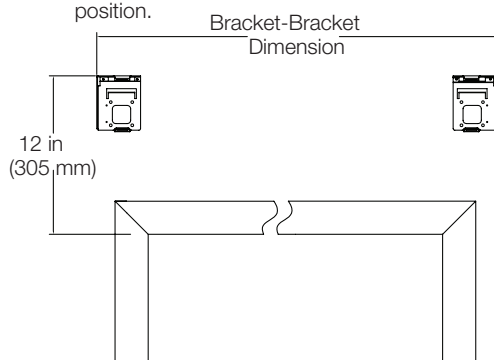
Note: Leave 12 to 18 in (305 to 457mm) of cable exposed.



2 Mount the sub-brackets

- 2.1 Position the sub-brackets horizontally at a distance equal to the specified Bracket - Bracket Dimension of the Kirbé Drapery, and at a height of 12 in (305 mm) from the top of the window opening.

Note: The distance between the edge of the sub-bracket and the fabric is 1.50 in (38 mm). The 12 in (305mm) height above the window opening will provide an unobstructed view when the Kirbé Drapery is in the open position.



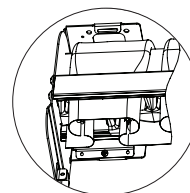
- 2.2 Ensure the sub-brackets are level, and mount using the appropriate fasteners.

Note: Wall mount shown. Bracket can also be jamb mounted.

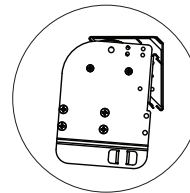
3 Mount the drape to the sub-brackets

Drapery systems wider than 4 ft (1.2 m) require two people to install.

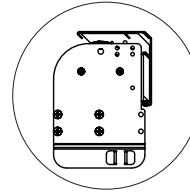
- 3.1 Remove the retaining screws from the drapery brackets.



- 3.2 Hook the lip of each drapery bracket onto the top of each sub-bracket.



- 3.3 Swing the drape down until the bottom of the drapery brackets rest against the sub-brackets.



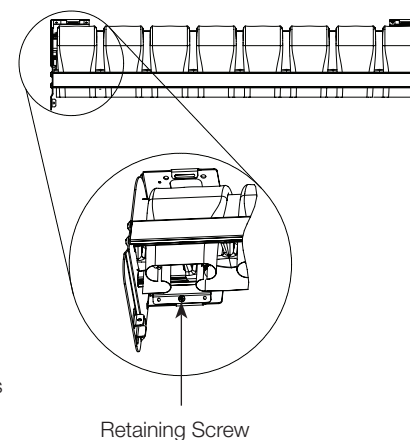
- 3.4 Route the cable from the wall, ceiling or jamb between the drapery bracket and the sub-bracket. Do not pinch the cable.

4 Center and secure the drape

- 4.1 Center the drape

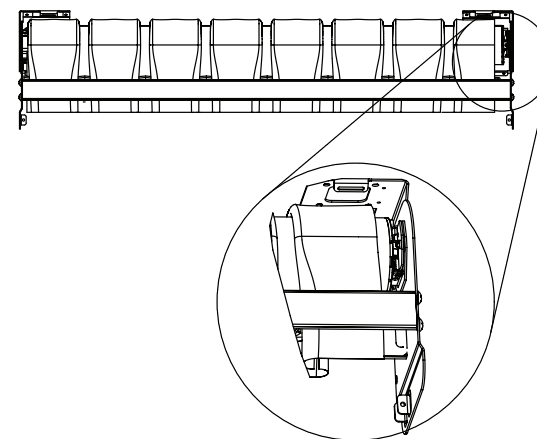
- 4.2 Insert and tighten retaining screws on BOTH shade brackets to secure the shade into position. Screws must be fully tightened.

CAUTION: Risk of minor or moderate injury from falling heavy objects. Ensure the drapery brackets are securely attached to the sub-brackets.



5 Leveling the drape

- 5.1 Turn the leveling screw to raise or lower the idler side of the drape until level.



6 Wiring and basic setup

- 6.1 Refer to the Basic Wiring and Setup Guide included with the Kirbé vertical drapery System for wiring instructions and setup including setting open and close limits.

7 Troubleshooting

Symptom	Solution
Fabric is not level.	Verify the brackets are mounted level
Fabric is not centered over window.	Verify the brackets are centered
Shade does not move smoothly.	Verify the shade fabric is not obstructed
Shade will not move to open or full close	Verify that open and close limits are set correctly
	Verify that shade fabric is not obstructed or caught on something

Worldwide Headquarters | USA
Lutron Electronics Co., Inc.
7200 Suter Road
Coopersburg, PA 18036-1299 USA
TEL: 1.610.282.3800
FAX: 1.610.282.3090
Technical Support: 1.800.523.9466
Toll Free: 1.888.LUTRON1
shadinginfo@lutron.com
lutron.com/shadingsolutions

Europe Headquarters | United Kingdom
Lutron EA Ltd
6 Sovereign Close
London, E1W3JF, UK
TEL: +44.(0)20.7702.0657
FAX: +44.(0)20.7480.6899
Technical Support: +44.(0)20.7680.4481
FREEPHONE: 0800.282.107

For product warranty information, please see:
lutron.com/TechnicalDocumentLibrary/Window Systems Warranty.pdf

©Lutron is a registered trademark of Lutron Electronics Co., Inc.

