

1 Prepare to Install

CAUTION: RISK OF FALLING OBJECTS. Securely install the shade system per the mounting instructions. Failure to do so could result in minor or moderate injury.

Important Notes

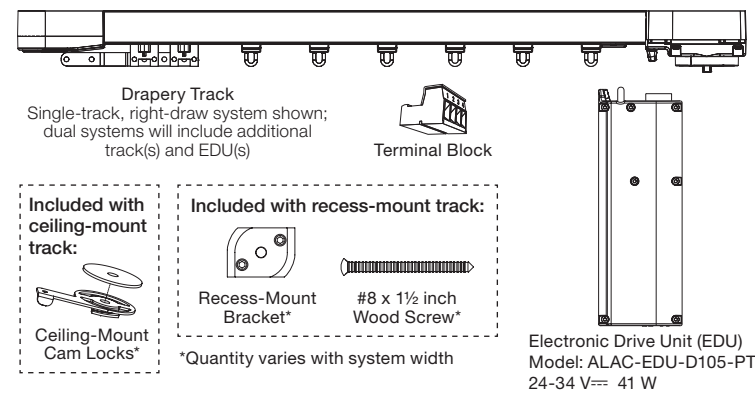
Please Read Before Installing

- A.** Lutron systems are intended for use with only Lutron hardware and power supplies.
- B. Codes:** Install in accordance with all local and national electrical codes.
- C. Environment:** Ambient operating temperature: 32 °F - 104 °F (0 °C - 40 °C), 0 - 90% humidity, non-condensing. Indoor use only.
- D.** Plan the installation to maintain sufficient clearance between the moving drapery and any object, including window hardware, cranks, lock levers, and stationary drapery.

1.1 Tools required:

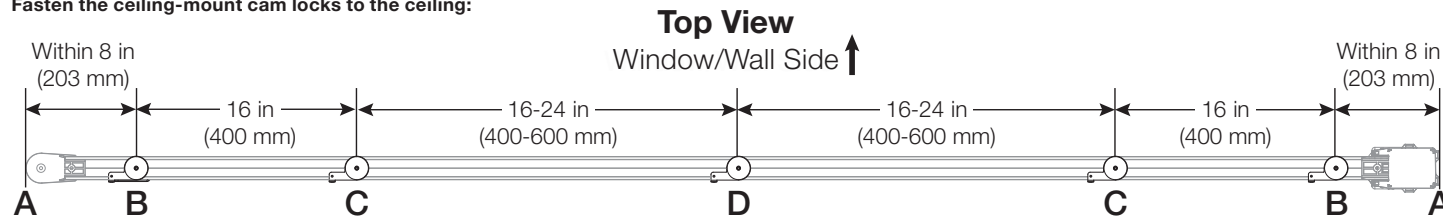
- Tape measure
- Small flat-blade screwdriver
- #1 Phillips screwdriver
- #2 Phillips Screwdriver
- Power drill and drill bits
- Level
- Pliers
- 3/32 in hex key (included w/recess-mount system)

1.2 System Components:



2 Ceiling-Mount (for recess-mounting, proceed directly to section 3)

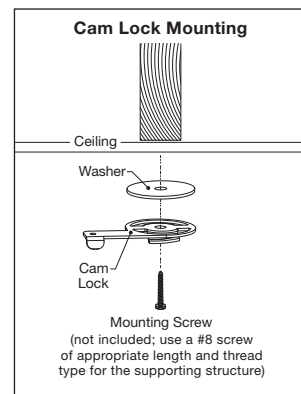
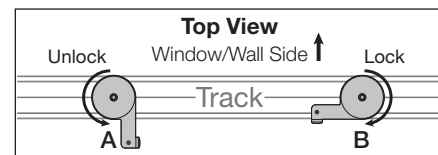
2.1 Fasten the ceiling-mount cam locks to the ceiling:



- A. Hold the drapery track up to the ceiling, and position it where it will be installed. Verify it is parallel to the window or wall, and use a pencil to make a mark on the ceiling at each end.
 - B. Mount a cam-lock within 8 in (200 mm) of each end-mark made in Step 2.1.A.
 - C. Mount the next cam-locks 16 in (400 mm) inward from those mounted in Step 2.1.B.
 - D. Space the remaining cam-locks 16-24 in (406-610 mm) apart. For non-sheer drapery panels, a 16 in (406 mm) spacing is recommended between brackets at stackback location(s).
- NOTE:** The ceiling mount cam-locks must be mounted in a straight and level line. If the contour of the ceiling is not straight and level, use shims (not included) between the cam-lock bracket and the ceiling to compensate for irregularities.

2.2 Mount the drapery track in the cam-locks:

- A. Rotate all of the cam-lock lever arms to the unlocked position.
- B. Position the track up against the cam-locks. Starting from the center of the track and working toward the ends, rotate each cam-lock lever arm to the locked position, until its tab is against the track.
- C. Skip Recess-Mount sections 3 and 4, and proceed to section 5 Installing the Electronic Drive Unit (EDU).



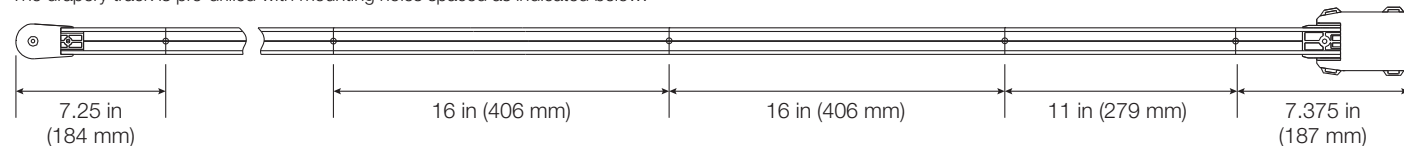
3 Recess-Mount: Prepare the Drapery Track:

A drapery track with recess-mount brackets can be installed into a wooden structural member using wood screws. Ensure the structural member is of sufficient strength to support the combined weight of the drapery track, EDU, and fabric.

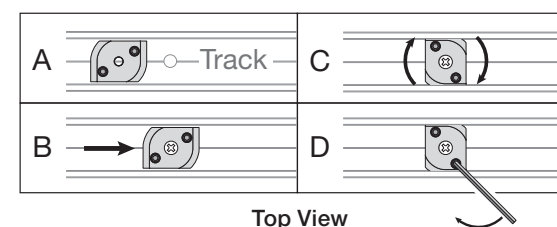
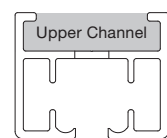
IMPORTANT: If no appropriate structural member is available at the mounting location, it is the responsibility of the installer to add blocking as necessary to safely support the load.

3.1 Prepare the drapery track for mounting:

The drapery track is pre-drilled with mounting holes spaced as indicated below:



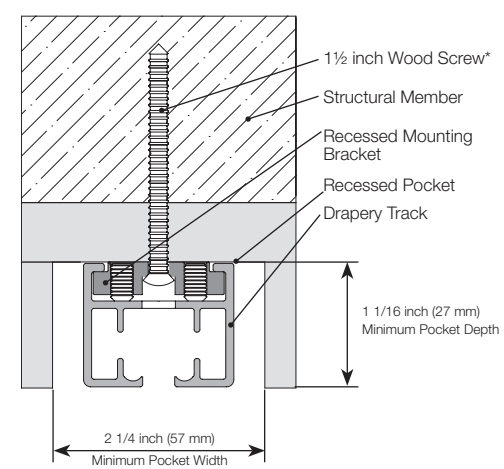
- A. Insert a recess-mount bracket into the track's upper channel.
- B. Align its center hole with a mounting hole in the drapery track. Temporarily insert a mounting screw through both holes to maintain their alignment.
- C. Rotate the recess-mount bracket 90°.
- D. Secure the recess-mount bracket using the 3/32 in Allen key provided to tighten both set screws. Remove the mounting screw from the center hole.
- E. Repeat steps 3.1.A through 3.1.D to install a recess-mount bracket at each mounting hole location along the entire length of the drapery track.



4 Recess-Mount: Mount the Drapery Track:

4.1 Mount the drapery track:

- A. Position the drapery track in the desired location.
- B. Insert the 1 1/2 inch wood screw provided through the hole in the track and recessed mounting bracket, and into a structural member in the ceiling, as shown.
- C. Repeat for all mounting holes in the drapery track.



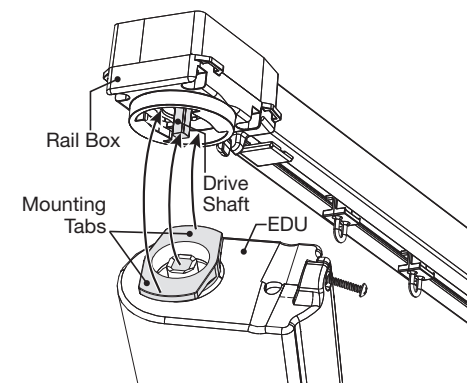
NOTE: Ensure the depth of the pocket does not interfere with drapery fabric.

*The wood screws provided are appropriate for driving into wooden structural members only. It is the responsibility of the installer to select and install fasteners that are appropriate for the supporting structure.

5 Installing the Electronic Drive Unit (EDU)

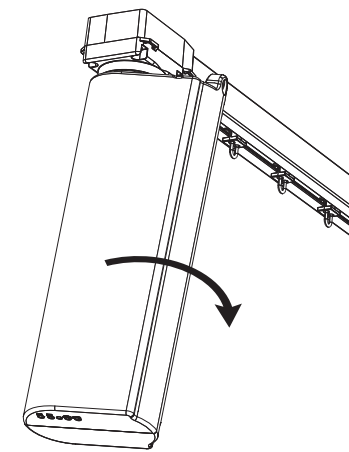
5.1 Insert

- A. Insert the EDU mounting flange into the rail box by aligning the mounting tabs and drive shafts.
- B. Push the EDU into the railbox until the mounting tabs are fully inserted.



5.2 Rotate

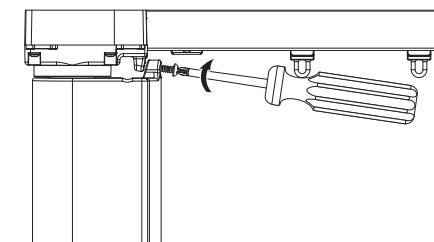
- Rotate the EDU inside the mounting flange and align the holes for the securing screw. Ensure the wire harness is not pinched.



5.3 Secure

- Install the securing screw.

NOTE: The securing screw is necessary to safely secure the EDU. Verify that it is installed and tightened before operating the drapery.

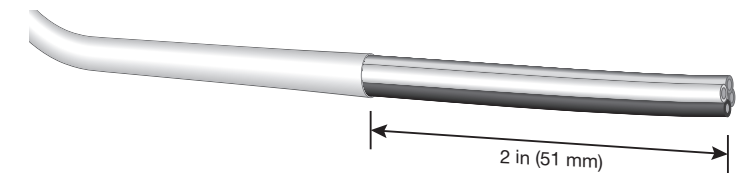


6 Wiring

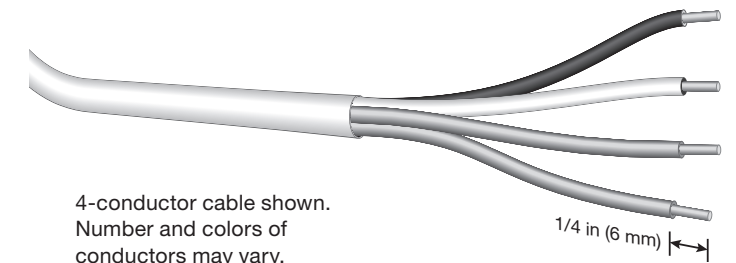
6.1 Prepare the cable:

WARNING: SHOCK HAZARD. Lock the supply breaker in the OFF position, or remove fuse, before wiring to terminal block. Failure to do so could result in death or serious injury.

- A. Strip 2 in (51 mm) of outer jacket off cable coming from the wall.



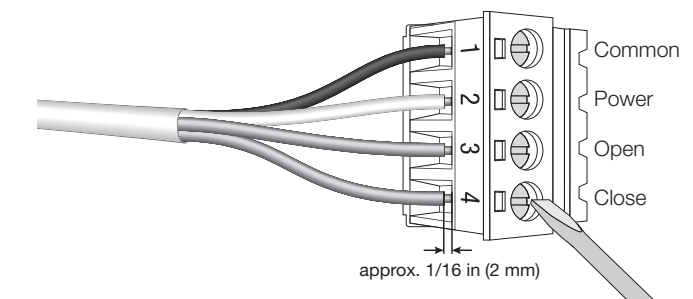
- B. Strip 1/4 in (6 mm) insulation off each individual wire.



4-conductor cable shown. Number and colors of conductors may vary.

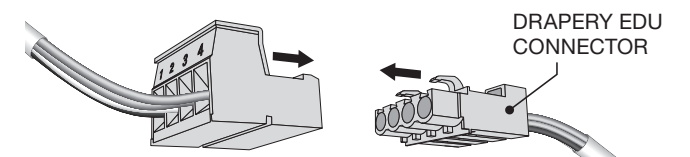
6.2 Wire the 4-pin terminal block:

- A. Wire the 4-pin terminal block (provided) to the cable using a small, flat-blade screwdriver to tighten screws securely on the exposed wire. Leave approximately 1/16 in (2 mm) of exposed conductor to ensure insulation is not pinched.



6.3 Connect the EDU:

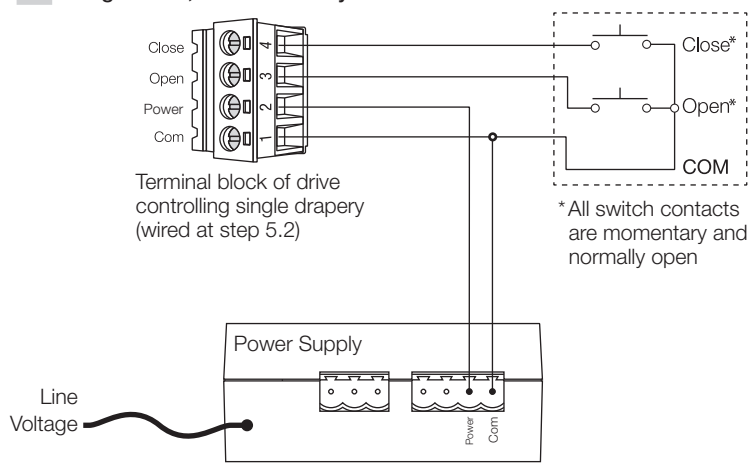
- Connect the EDU connector and the 4-pin terminal block.



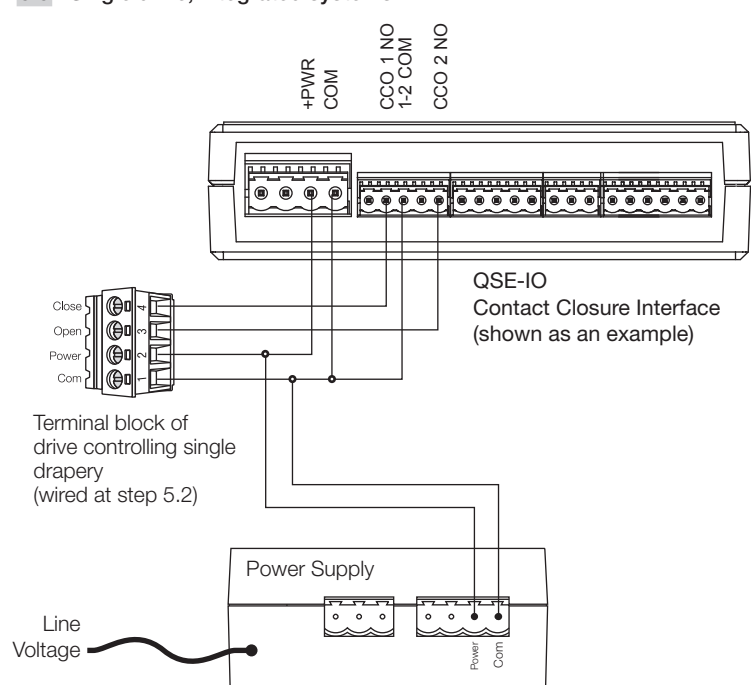
NOTE: Arrange and secure the cables in a location that prevents them from interfering with moving parts.

6 Wiring (continued)

6.4 Single drive, stand-alone systems:



6.6 Single drive, integrated systems:

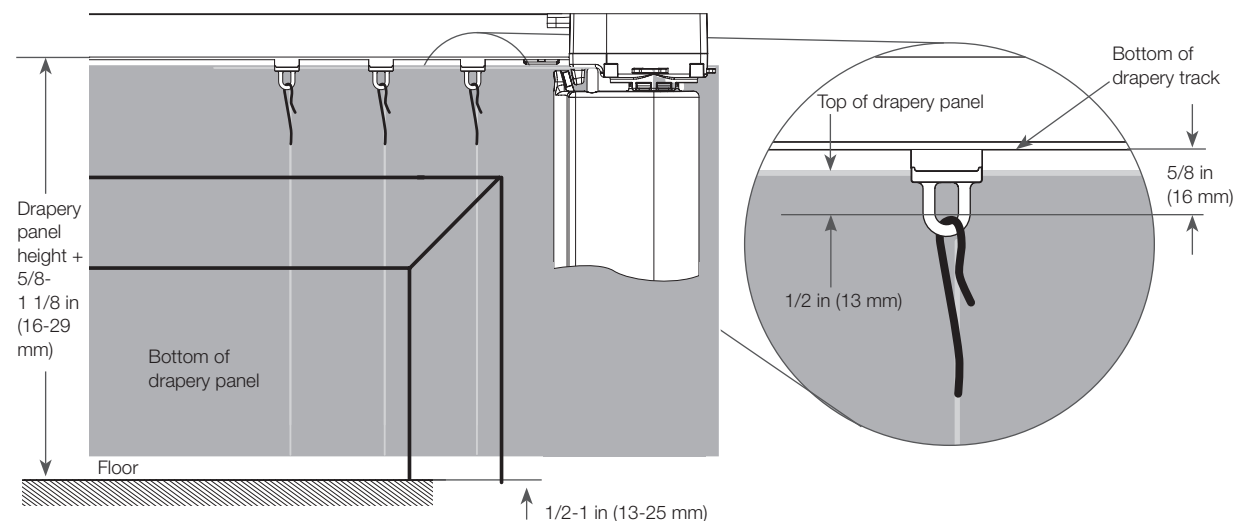


NOTE: For more information on wiring and programming related to the QSE-IO Contact Closure Interface, refer to PN 040391 QSE-IO Control Interface Programming Guide

7 Hanging Drapery Fabric

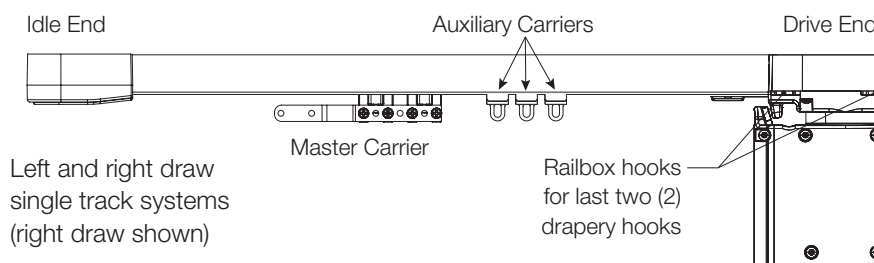
7.1 Attaching hooks

Lutron recommends a drapery hook setting of 1/2 in (13 mm) from the top of the drapery to the top of the hook (hooks not included). This locates the drapes just below the track and prevents it from rubbing on the track. It is recommended that a distance of 1/2-1 in (13-25 mm) be maintained between the bottom of drapery panel and the floor.



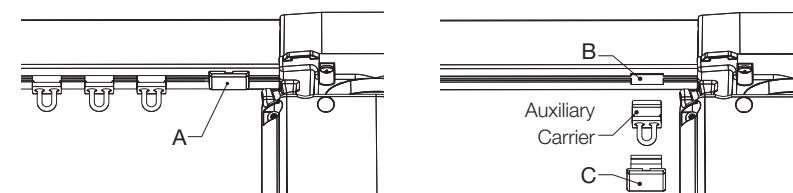
7.2 Hang the drapery - left and right draw systems:

Attach the drapery to the drapery track starting with the Master Carrier, attaching the last two hooks of the drapery to the railbox hooks.



7.3 Add or remove auxiliary carriers - left and right draw systems:

- Remove square plug on the drive end of the track, using a flat blade screw driver.
- Insert or remove auxiliary carriers through the square hole in the track until the correct number of carriers are installed.
- Replace the square plastic plug by pushing it into the square hole until it snaps into place.



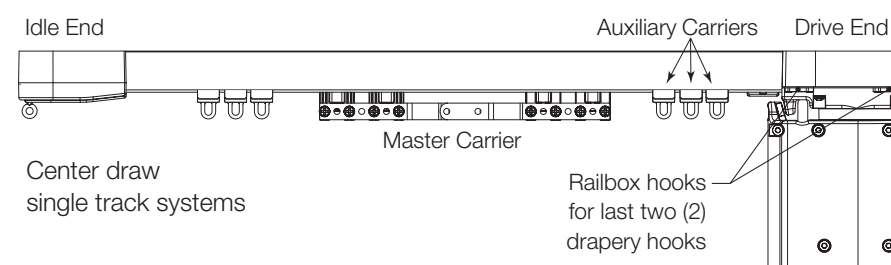
7.4 Hang the drapery - center draw systems:

Drive End

- Attach the drapery to the drapery track starting with the Master Carrier. Finish by attaching the last two hooks of the drapery to the railbox hooks.

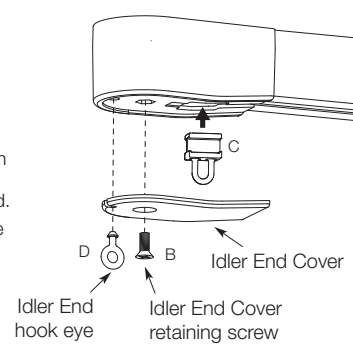
Idler End

- Attach the drapery to the drapery track starting with the Master Carrier. Finish by attaching the last hook of the drapery to the idler end hook. Remove any unused auxiliary carriers as shown in the following section.



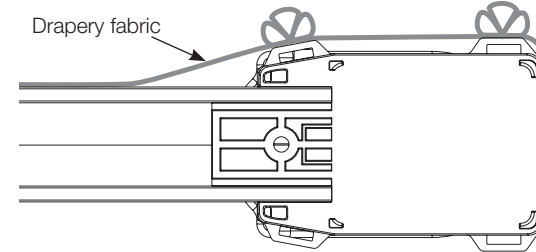
7.5 Add or remove auxiliary carriers - center draw systems:

- Follow the instructions in section 7.3 for the drive end plug removal, and installation of the auxiliary carriers.
- Remove the screw that retains the idler end cover. Remove the idler end cover and the hook eye.
- Insert or remove auxiliary carriers through the square hole in the idler end cap until the desired number of carriers is installed.
- Install the idler end hook eye and replace the idler end cover using the screw removed in step B.



7.6 Dressing the drapery around the drive end

Adjustment of the drapery pin height may be necessary to align these pleats with the other pleats on the drapery panel.



8 Power Up the Drapery Drive and Verify Operation

8.1 Power up the drapery drive and verify pull-to-start operation

- Connect the power supply to an appropriate power source.
- Grasp the leading edge of the fabric panel and gently tug in the close direction, then release. The EDU will move the drapery to the fully-closed position.
- After the drapery stops in the fully-closed position, wait 5 seconds, then grasp the leading edge of the fabric panel and gently tug in the open direction, and release. The EDU will move the drapery to the fully-open position.

8.2 Verify keypad operation

- Tap the Close button. The EDU will move the drapery to the fully-closed position.
- After the drapery stops in the fully-closed position, wait 5 seconds, tap the Open button. The EDU will move the drapery to the fully-open position.

Troubleshooting

Symptom	Possible Causes	Solution
Drapery does not respond at all	No power to EDU	Confirm the power supply is connected to the correct line voltage
	Maximum continuous run time exceeded	Wait 20 minutes, then retry
Drapery responds to pull-to-start, but not keypad	No power to keypad	Check Common connection at keypad
Drapery responds to keypad, but moves in the wrong direction	Open and Close wires reversed at keypad or EDU terminal block	Exchange the wire connections at the keypad Open and Close terminals

For complete warranty information, please visit:
[http://www.lutron.com/TechnicalDocumentLibrary/Window Systems Warranty.pdf](http://www.lutron.com/TechnicalDocumentLibrary/Window%20Systems%20Warranty.pdf)

Worldwide Headquarters | USA
Lutron Electronics Co., Inc.
7200 Suter Road
Coopersburg, PA 18036-1299 USA
TEL: 1.610.282.3800
FAX: 1.610.282.3090
Technical Support: 1.800.523.9466
Toll Free: 1.888.LUTRON1
shadinginfo@lutron.com
lutron.com/shadingsolutions

Europe Headquarters | United Kingdom
Lutron EA Ltd
6 Sovereign Close
London, E1W3JF, UK
TEL: +44.(0)20.7702.0657
FAX: +44.(0)20.7480.6899
Technical Support: +44.(0)20.7680.4481
FREEPHONE: 0800.282.107