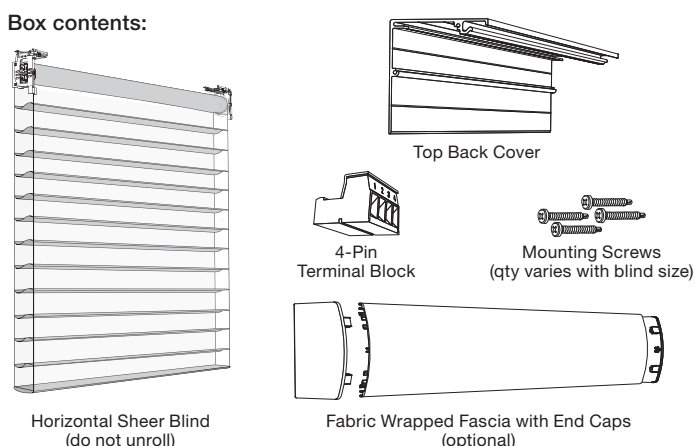


1 Prepare to Install

1.1 Tools required:

- Tape measure
- Level
- Wire Cutter/Stripper
- Power Drill
- 3/16 in (5 mm) Drill Bit
- #2 Phillips Screwdriver
- Small Flat-Blade Screwdriver

1.2 Box contents:



Important Notes

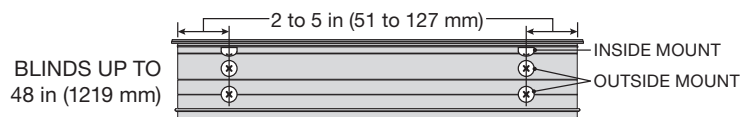
Please Read Before Installing

- A. Lutron systems are intended for use with only Lutron hardware, controls, and power supplies.
 B. **Codes:** Install in accordance with all local and national electrical codes.
 C. Plan the installation to maintain sufficient clearance between the moving blind and any object, including window hardware, cranks, lock levers, and drapery.
CAUTION: RISK OF FALLING OBJECTS. Securely install the blind system per the mounting instructions. Failure to do so could result in minor or moderate injury

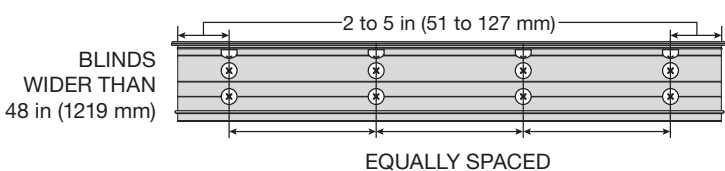
2 Prepare the Top Back Cover

2.1 Hold the Top Back Cover up to the mounting surface. Approximate its final position centered on the window, and use a pencil to mark mounting screw locations on the Top Back Cover. To ensure the Top Back Cover is securely mounted, we recommend:

- a. Plan the mounting screw locations so that the screws drive into wall studs or solid trim. For other surfaces, use expansion anchors, toggle bolts, or other appropriate fasteners (not included).
 b. Plan to install a pair of mounting screws 2 to 5 in (51 to 127 mm) from each end of the Top Back Cover.



- c. For blinds wider than 48 in (1219 mm), plan to install two additional pairs of mounting screws at approximately equal spacing across the Top Back Cover.



- d. Verify that the Top Back Cover will be level, centered on, and parallel to, the window opening.

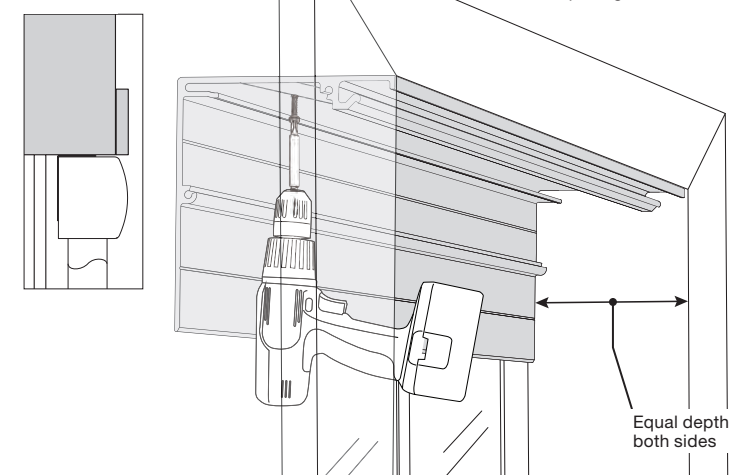
2.2 Pre-drill the Top Back Cover at the pencil marks

NOTE: The Top Back Cover features grooves to help stabilize the point of your drill bit.

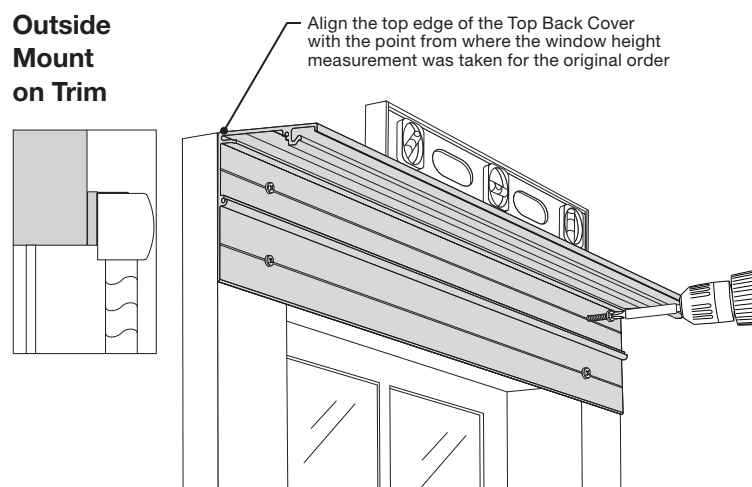
3 Mount the Top Back Cover

Fasten the Top Back Cover to the mounting surface using the mounting screws provided or other appropriate fasteners.

Inside Mount



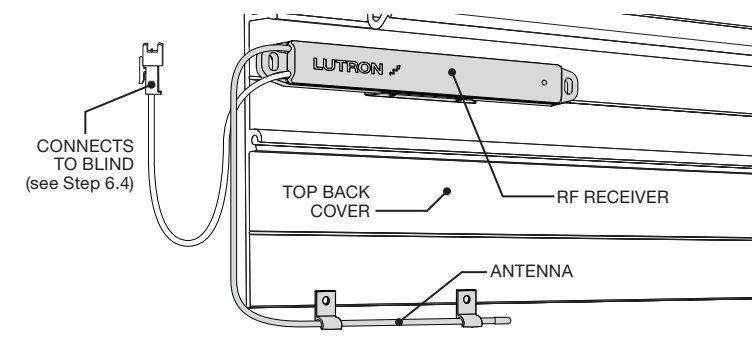
Outside Mount on Trim



NOTE: The Top Back Cover may also be outside-mounted above the trim. Use spacer blocks (not included) of sufficient thickness to ensure the blind clears the trim.

4 Installing an RF Receiver (OPTIONAL)

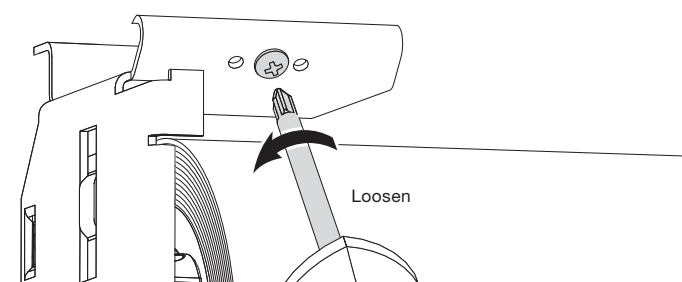
4.1 Mount the RF Receiver according to the instructions included with the receiver. Choose a location that won't interfere with movement of the blind, (suggested location shown).



4.2 Using the clips provided with the RF Receiver, secure the antenna so that it hangs below the bottom edge of the Top Back Cover.

5 Hang the Blind

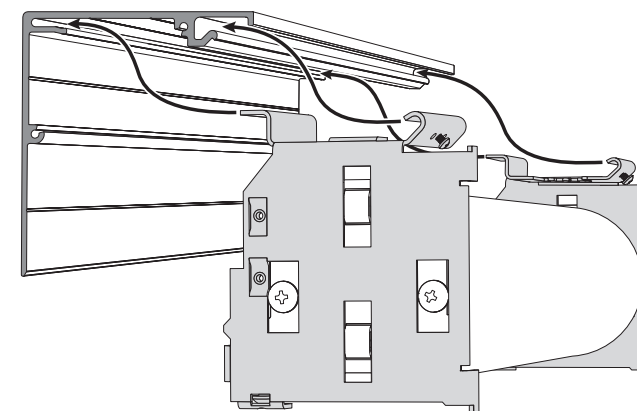
5.1 Loosen the retaining screw on the front hook of each End Bracket.



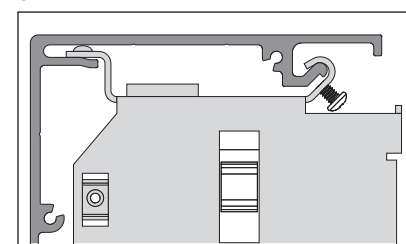
SIDE VIEW



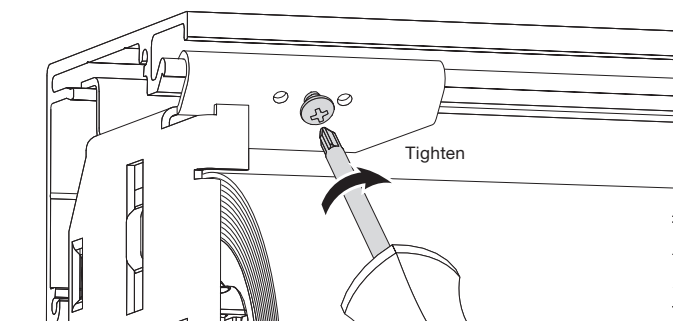
5.2 Hang the blind's End Brackets on the hooks of the Top Back Cover as shown.



SIDE VIEW



5.3 Center the blind on the window, then tighten the retaining screw on the front hook of each End Bracket to secure the blind in position.

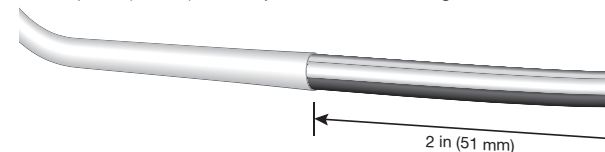


6 Basic Wiring

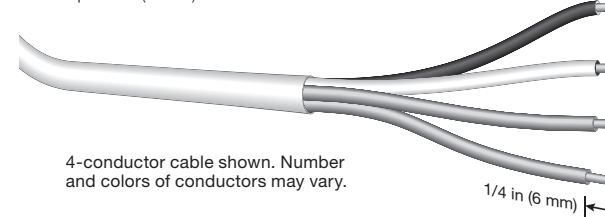
6.1 Prepare the cable:

WARNING: SHOCK HAZARD. Lock the supply breaker in the OFF position, or remove fuse, before wiring to terminal block. Failure to do so could result in death or serious injury.

a. Strip 2 in (51 mm) of outer jacket off cable coming from the wall.



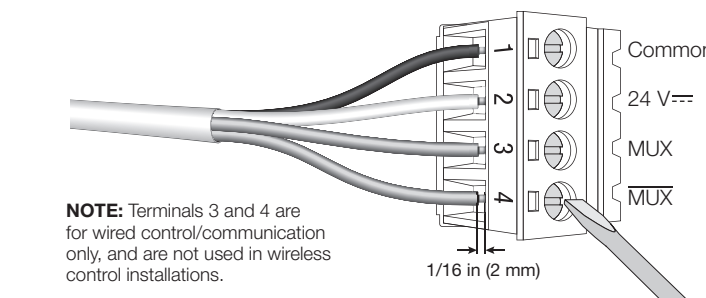
b. Strip 1/4 in (6 mm) insulation off each individual wire.



4-conductor cable shown. Number and colors of conductors may vary.

6.2 Wire the 4-pin terminal block:

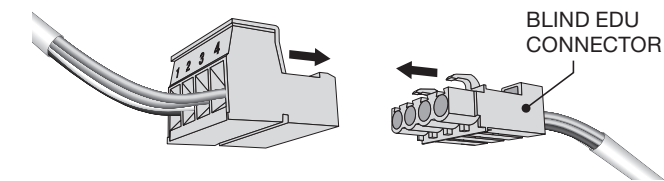
Wire 4-pin terminal block (provided) to cable using a small, flat-blade screwdriver to tighten screws securely on the exposed wire. Leave 1/16 in (2 mm) of exposed conductor to ensure insulation is not pinched.



6.3 Connect the blind EDU:

Connect the blind EDU connector and the 4-pin terminal block.

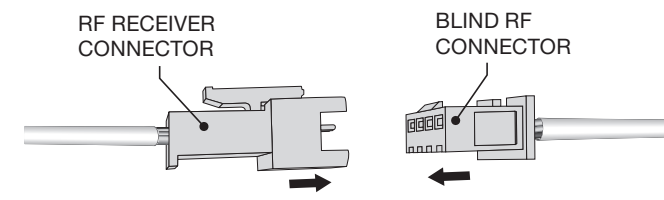
NOTE: Arrange and secure the cables in a location that prevents them from interfering with moving parts.



6.4 Connect the RF Receiver (OPTIONAL):

If an RF Receiver was installed at Step 4, connect the RF Receiver's connector to the blind's RF connector.

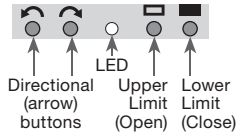
NOTE: Arrange and secure the cables in a location that prevents them from interfering with moving parts.



7 Set Limits (OPTIONAL)

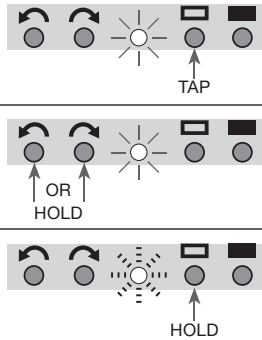
On-board drive controls: This section describes blind operation using the on-board drive controls, located on the drive-end of the blind, between the fabric roll and the End Bracket.

About upper and lower limits: The upper and lower limits define the vertical travel of the blind. All limits are set at the factory according to the window measurements, but on-site adjustment is available. It is recommended that the upper and lower limits be checked immediately after installation to ensure the fully raised and fully lowered positions match the window opening. If adjustment is needed proceed with the following steps.



7.1 To Adjust the Upper Limit

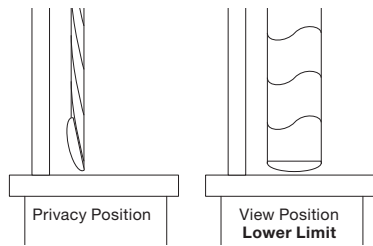
- Tap the Upper Limit button. The green LED illuminates.
- Move the blind to the desired Upper Limit by holding the arrow button which raises the blind.
- With the blind in the desired Upper Limit position, press and hold the Upper Limit button until the Green LED flashes. The Upper Limit is stored.



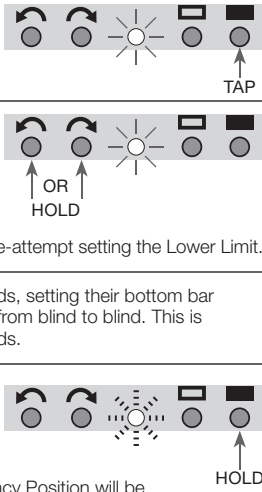
7.2 To adjust the Lower Limit

About the lower limit: After the bottom bar of the blind reaches the extent of its downward travel at the window sill, there are two positions:

- Privacy** - the blind is all the way down with vanes closed.
- View** - the blind is all the way down with vanes completely open. **This is the Lower Limit.***



- Tap the Lower Limit button. The green LED illuminates.
- Move the blind to the View Position using the arrow button which moves the blind downward.
- Allow the blind to unroll all the way to the View Position.** If the bottom bar hits the window sill before the blind fully unrolls to the View Position, raise the bracket height, (see sec. 8), then re-attempt setting the Lower Limit.
- OPTIONAL:** Repeat steps a. and b. on adjacent blinds, setting their bottom bar level such that their vanes align in the View Position from blind to blind. This is important to ensure vane alignment on adjacent blinds.
- With the blind in the desired Lower Limit (View) position, press and hold the Lower Limit button until the Green LED flashes. The Lower Limit is stored.



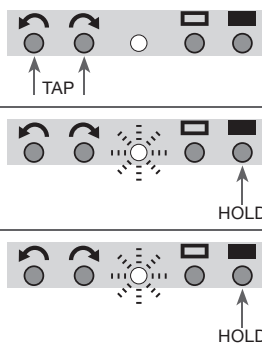
*** IMPORTANT:** When the Lower Limit is set, the Privacy Position will be "learned" automatically by the drive.

7.3 To adjust the Privacy Position (OPTIONAL)

If the Privacy Position learned in Step 7.2* is unsatisfactory, it can be adjusted:

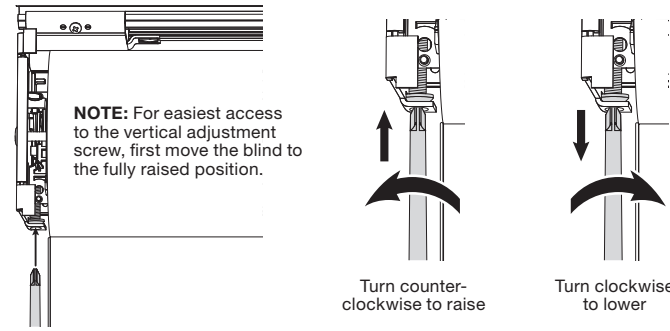
NOTE: This adjustment will not affect the View Position.

- Tap the arrow buttons to move the blind to the desired Privacy Position.
- Press and hold the Lower Limit button until the Green LED flashes. Release.
- Press and hold the Lower Limit button a second time until the Green LED flashes. Release. The Green LED will flash (approx 10 seconds), then turn off, indicating the Privacy Position is stored.



8 Adjust Level and Alignment (OPTIONAL)

Each bracket features a vertical adjustment screw which can be used to raise or lower the blind ±1/4 in (6 mm) for leveling and/or fine-tuning alignment with adjacent blinds.

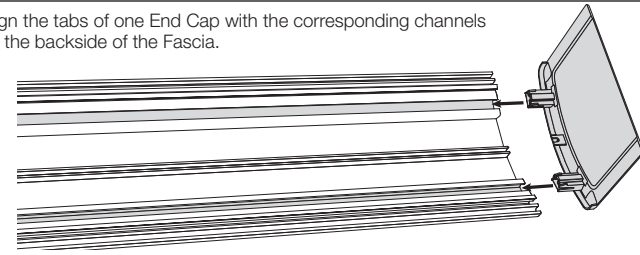


NOTE: For easiest access to the vertical adjustment screw, first move the blind to the fully raised position.

9 Attach the Fabric-Wrapped Fascia (OPTIONAL):

9.1 Install Fascia End Caps

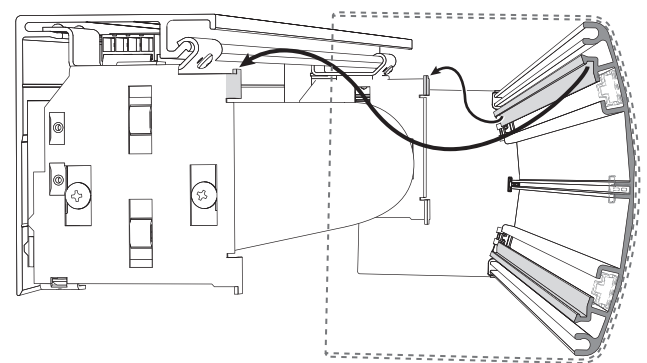
- Lay the Fabric-Wrapped Fascia fabric-side-down on a clean, flat surface.
- Align the tabs of one End Cap with the corresponding channels on the backside of the Fascia.



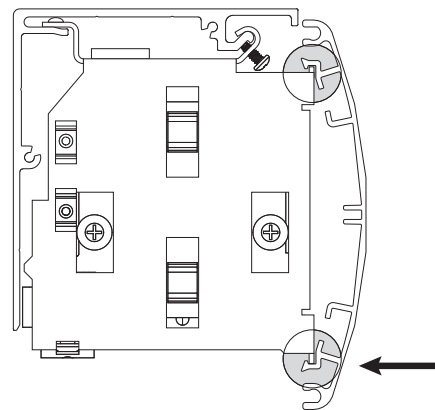
- Insert the guides into the channels and press until the End Cap is fully seated on the end of the Fascia.
- Repeat to install the End Cap on the opposite end of the Fabric-Wrapped Fascia.

NOTE: For blinds that are inside-mounted, it may be necessary to notch or trim away a part of the drive-side Fascia End Cap to provide clearance for wiring.

9.2 Hang the Fascia on the hooks at the top front of the End Brackets.



9.3 Press along the lower half of the Fascia near the ends to engage the hooks at the bottom of the End Brackets.

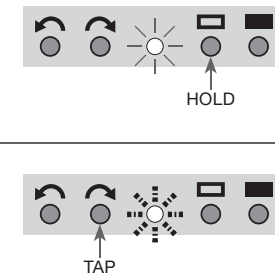


10 Assigning Blind(s) to RF Controls**

(blinds equipped with RF Receiver only)

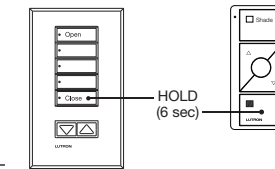
10.1 Placing One or More Blinds in Assignment Mode

- Press and hold the Upper limit button until the green LED flashes, then comes on solid.
- Tap the button on the blind drive. The green LED's on the blind and on the wireless receiver will flash twice immediately, and every 4 seconds thereafter, the drive is now ready to be assigned to a wireless control.
- Repeat for all blinds that are being assigned to the same wireless control. To complete the assignment process, proceed to step 10.2.



10.2 Completing the Assignment Process

- Press and hold the Bottom button on the wireless control for 6 seconds. The blind(s) will move a short distance in both directions, or "wiggle", one time. This confirms their drive(s) have been assigned to the wireless control, and exits the control and blind(s) from assignment mode.
- Repeat steps 10.1 and 10.2a to assign more blinds and/or additional controls.

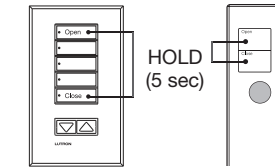


NOTE: Blinds can be assigned to multiple wireless controls. To un-assign devices, see "Restoring Factory Default Settings".

11 Assigning Blind(s) to Wired and IR Controls**

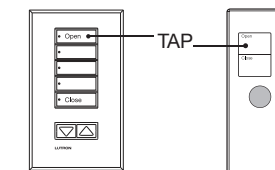
11.1 Enter Programming Mode

Press and hold the Open and Close button simultaneously for 5 seconds. Assigned blinds will close. Unassigned blinds will open.



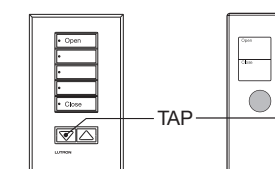
11.2 Select Blind

Tap the Open button. The selected blind will move up and down. (Tap the Open button again to cycle forward to the next blind. Tap the Close button to cycle backwards.)



11.3 Assign Blind

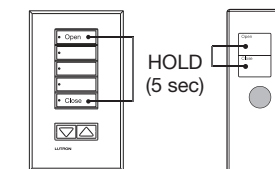
Tap the Lower Button to assign the selected blind. The selected blind will move to its Lower limit. This confirms it is now assigned. (Tap the Raise button now to undo this assignment.)



11.4 Assign Additional Blinds

11.5 Exit Programming Mode

Press and hold the Open and Close button simultaneously for 5 seconds to exit the programming mode.



**When assigned to a compatible control, the blind will respond as follows:

- Tap the Close button: Blind lowers to the Privacy position
- Tap the Preset button: Vanes open to the View position
- Tap the Open button: Blind raises to the fully expose the window

Troubleshooting

Symptom	Solution
Blind does not go to the proper Privacy Position	Lower Limit set incorrectly. See Section 7.2. Privacy Position out of adjustment. See Section 7.3.
Blind does not go to the proper View Position	Lower Limit set incorrectly. See Section 7.2. If the bottom bar hits the window sill before the blind fully unrolls to the View Position, raise the bracket height. See Section 8.
Blind will not move using adjustment buttons on drive	The drive is not powered – check drive power by unplugging and re-plugging in drive. LED should flash for 5 seconds. Blind motion is obstructed. Remove obstruction.
Blind does not fully open or fully close	Limits have been set incorrectly. See Section 7. Blind motion is obstructed. Remove obstruction.
Wireless controls will not operate blind	Out of range. Move to within 30 ft (9.1 m) of receiver. Drive(s) not assigned to wireless control. Wireless receiver not plugged into any drive within range. Wireless control batteries are weak or dead. Replace.
Drive does not move, and the LED is blinking red slowly four times, and then turning off for 4 seconds	The drive has reached its maximum run-time. Wait 20 minutes before attempting to move the blind.
Drive has its red LED on steady	The drive is unable to establish communication. Check wiring.
Drive is blinking its blue LED quickly	The drive does not have enough power to operate properly. Refer to the power supply's instruction sheet to verify your installation. The drive is being powered by an AC supply. Use an approved 24 V _{DC} supply, such as the QSPS-P1-10-60.
Keypad does not control blind or sends it to the wrong level	Limits have been set incorrectly. See Section 7. Refer to the keypad instruction sheet for programming instructions.

Restoring Factory Default Settings

This procedure will un-assign this blind from all wireless controls, but will not affect the open and lower limit.

- Press and hold the Lower limit button until the green LED flashes. Release.
- Press and hold the Upper limit button until the green LED flashes. Release.
- Press and hold the button until the green LED flashes. Release.
- Press and hold the button until the LED flashes a multicolor sequence, indicating the factory default settings have taken effect. Release.

For complete warranty information, please visit: [http://www.lutron.com/TechnicalDocumentLibrary/Window Systems Warranty.pdf](http://www.lutron.com/TechnicalDocumentLibrary/Window%20Systems%20Warranty.pdf)

Worldwide Headquarters | USA
Lutron Electronics Co., Inc.
7200 Suter Road
Coopersburg, PA 18036-1299 USA
TEL: 1.610.282.3800
FAX: 1.610.282.3090
Technical Support: 1.800.523.9466
Toll Free: 1.888.LUTRON1
EMAIL: shadinginfo@lutron.com
WEB: www.lutron.com/shadingsolutions

Europe Headquarters | United Kingdom
Lutron EA Ltd
6 Sovereign Close
London, E1W3JF, UK
TEL: +44.(0)20.7702.0657
FAX: +44.(0)20.7480.6899
Technical Support: +44.(0)20.7680.4481
FREEPHONE: 0800.282.107