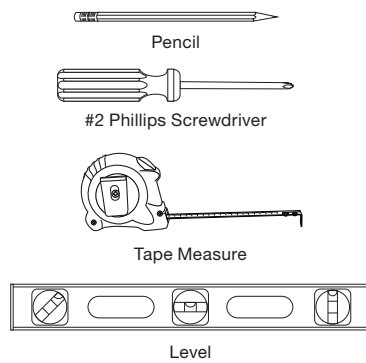
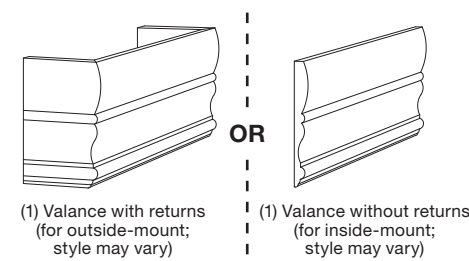


## 1 Prepare to Install

### 1.1 Tools required:



### 1.2 Box contents:



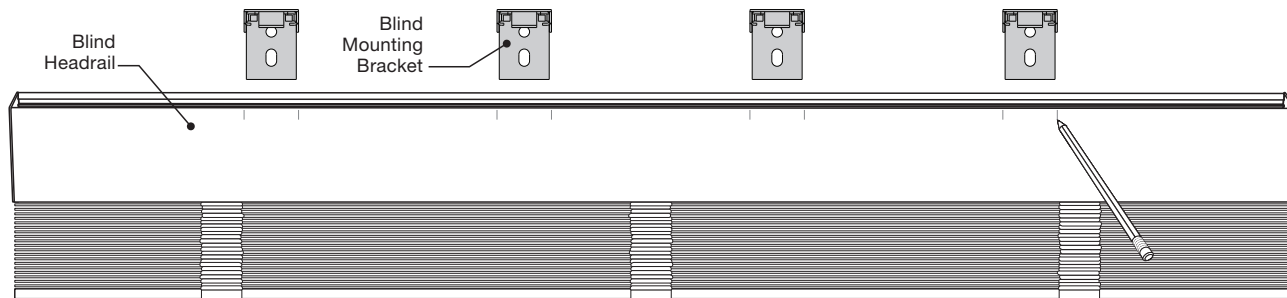
WIDTH OF BLIND	LOCKS	SCREWS	CLIPS
48 in (1219 mm) or less	2	4	2
48½ in (1222 mm) to 72 in (1829 mm)	3	6	3
72½ in (1832 mm) to 96 in (2438 mm)	4	8	4
96½ in (2442 mm) or wider	5	10	5

**CAUTION:** RISK OF FALLING OBJECTS. Securely install all components of the blind system per the mounting instructions. Failure to do so could result in minor or moderate injury.

## 2 Plan Headrail Valance Clip Locations

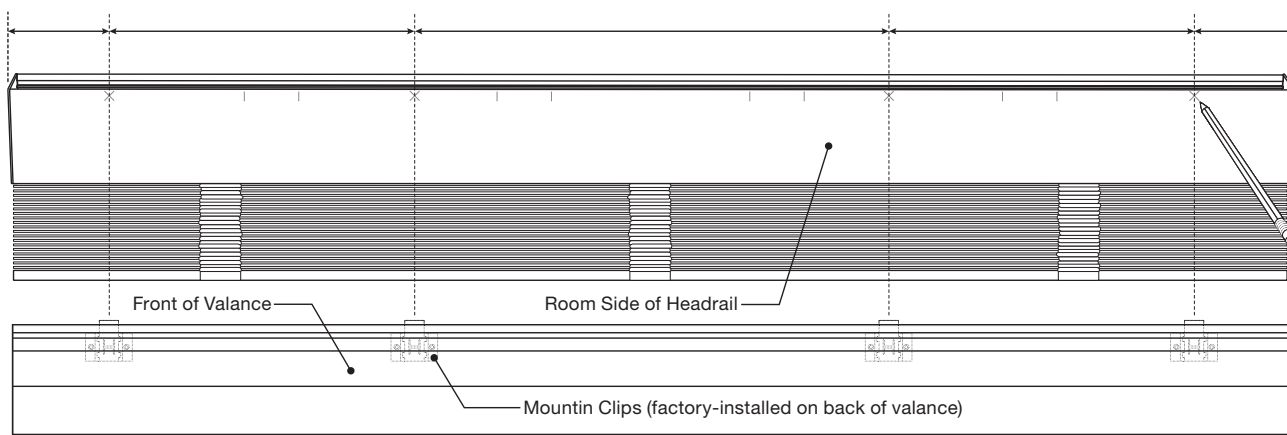
### 2.1 Mark the mounting bracket locations:

- Follow the instructions provided with the blind to locate and install the blind mounting brackets at the window.
  - NOTE:** For your safety, and to allow access for installation of the valance, **DO NOT** install the blind in the brackets until you reach Section 4. If the blind is already installed in brackets, it must be removed to install the Headrail Locks and Valance Clips as shown in Section 3.
- Hold the blind up to the installed mounting brackets, approximating its final installed location, and use a pencil to mark the headrail at each bracket location.



### 2.2 Mark the Headrail Valance Clip locations:

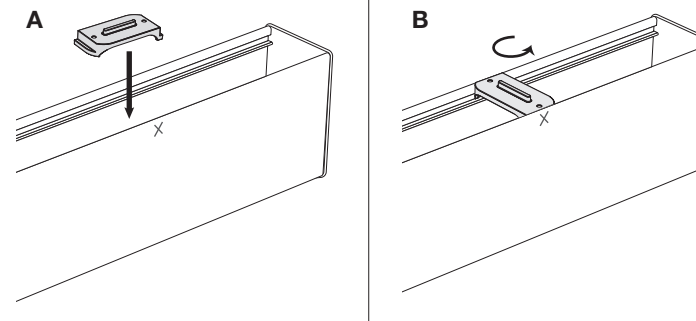
- Using the pre-installed mounting clips on the valance as a guide, mark each Headrail Valance Clip location on the headrail.
  - NOTE:** If a Headrail Valance Clip position conflicts with a blind mounting bracket, **the blind mounting bracket gets preferential treatment.** Adjust the location(s) of the Headrail Lock(s) and Valance Clip(s) (see Section 3) left or right to a position clear of other objects in the headrail. Then, remove the corresponding mounting clip from the valance and change its position to match.



## 3 Install the Headrail Valance Clips

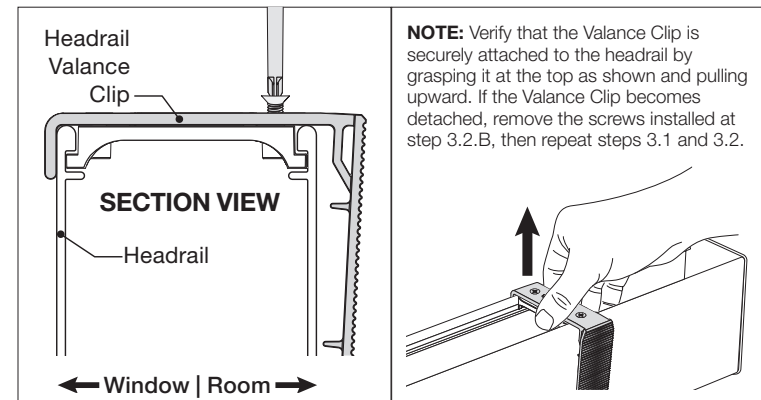
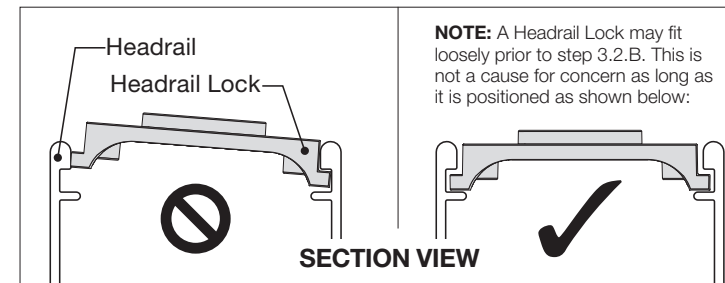
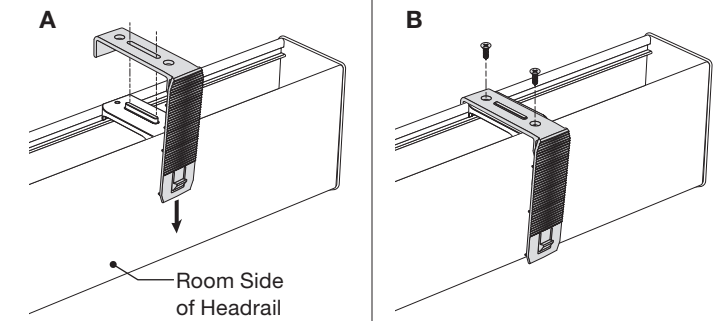
### 3.1 Insert headrail locks

- At each mark made on the headrail in step 2B, insert a headrail lock. You may have to press down firmly to engage the headrail's upper channel (see section view below).
- Turn the headrail lock counter-clockwise to position it for the next step.



### 3.2 Attach Headrail Valance Clips

- At each headrail lock, slide a Headrail Valance Clip down over the front and back of the headrail until it sits flush on the top of headrail lock.
- Secure the Headrail Valance Clip with 2 screws provided.



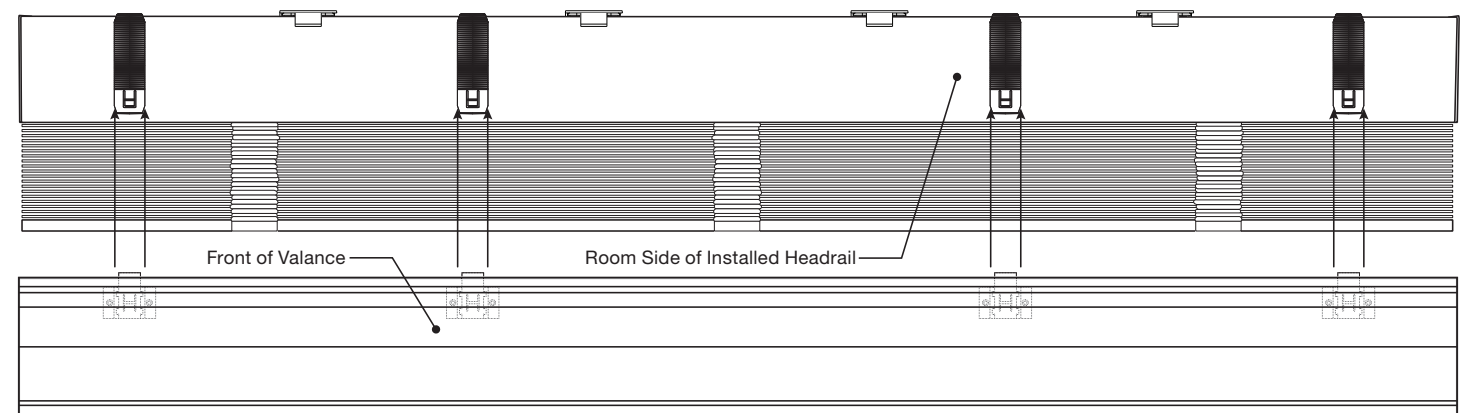
## 4 Complete the Blind Installation

Hang and wire the blind according to the instructions provided with the blind. Verify proper operation and perform all programming to complete setup.

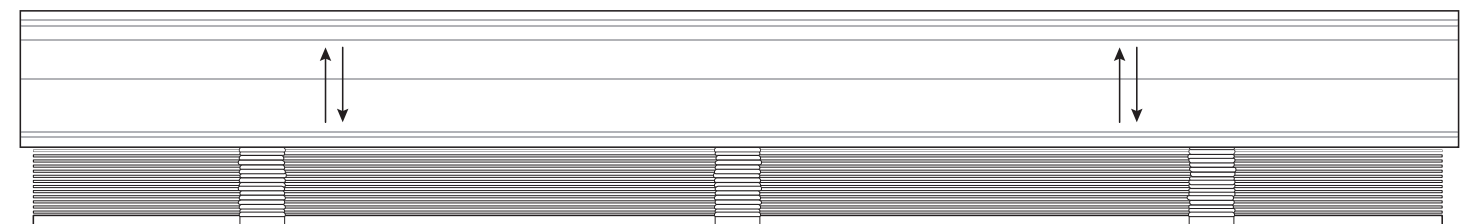
## 5 Add the Valance to the Installed Blind

### 5.1 Attach the valance

- NOTE:** When installing a blind/valance wider than 48 in (1219 mm) it is recommended that a 2nd person assists with the attachment of the valance.
- Aligning the clips on the valance and on the headrail, slide the valance up in front of the headrail, engaging the clips.
  - Slide each Valance lip up until the bottom lock on each Headrail Valance Clip engages with an audible "click."



- Use the ratcheting feature of the clips to level and adjust the final position of the valance.



For warranty information, please see:  
[lutron.com/TechnicalDocumentLibrary/Window Systems Warranty.pdf](http://lutron.com/TechnicalDocumentLibrary/Window Systems Warranty.pdf)

### Worldwide Headquarters | USA

Lutron Electronics Co., Inc.  
 7200 Suter Road, Coopersburg, PA 18036-1299 USA  
 Toll Free: 1.800.LUTRON1 | Technical Support: 1.800.523.9466  
 TEL: 1.610.282.3800 | FAX: 1.610.282.3090  
[lutron.com/shadingsolutions](http://lutron.com/shadingsolutions) | Email: [shadinginfo@lutron.com](mailto:shadinginfo@lutron.com)

### Europe Headquarters | United Kingdom

Lutron EA Ltd  
 6 Sovereign Close, London, E1W3JF, UK  
 TEL: +44.(0)20.7702.0657  
 FAX: +44.(0)20.7480.6899  
 Technical Support: +44.(0)20.7680.4481  
 FREEPHONE: 0800.282.107