

Sivoia QS Wireless Drapery Lite System

English

Installation Guide—Please Read Before Installing

Important Notes - Please Read Before Installing

- A.** Lutron systems are intended for use with only Lutron hardware and power supplies.
 - B. Codes:** Install in accordance with all local and national electrical codes.
 - C. Environment:** Ambient operating temperature: 32 °F - 104 °F (0 °C - 40 °C), 0 - 90% humidity, non-condensing. Indoor use only.
 - D.** Plan the installation to maintain sufficient clearance between the moving drapery and any object, including window hardware, cranks, lock levers, and stationary drapery.
- ⚠ CAUTION: RISK OF FALLING OBJECTS.** Securely install the shade system per the mounting instructions. Failure to do so could result in minor or moderate injury.

Tools required:

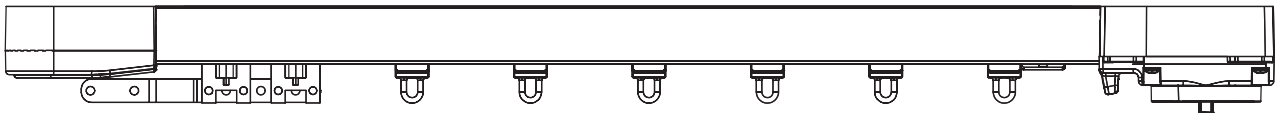
- Tape measure
- Small flat-blade screwdriver
- #1 Phillips screwdriver
- #2 Phillips Screwdriver

Contents

1	Wall Mount _____	2
2	Ceiling Mount _____	3
3	Recess-Mount: Prepare the Drapery Track _____	4
4	Recess Mount _____	5
5a	Installing the EDU in Slim Orientation _____	5
5b	Installing the EDU in Original Orientation _____	6
6	Basic Wiring _____	6
7	Fabric Installation _____	7
8	Ripplefold Fabric Installation _____	8
9	Power Up the Drapery and Assign a Control _____	10
10	Setting Open and Close Limits _____	11
	Restoring Factory Default Settings _____	12

- Power drill and drill bits
- Level
- Pliers
- 3/32 in hex key (included w/recess-mount system)

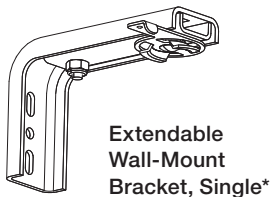
System Components:



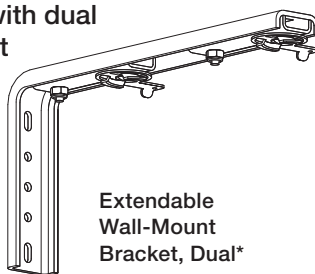
Drapery Track

Single-track, right-draw system shown; dual systems will include additional track(s) and EDU(s)

Included with wall-mount tracks:



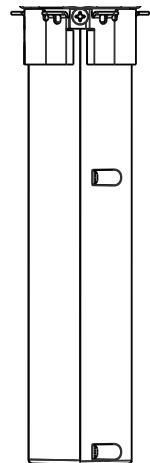
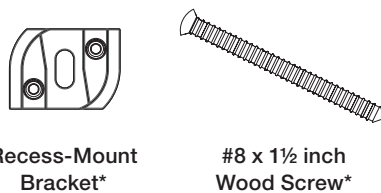
Included with dual wall-mount tracks:



Included with ceiling-mount tracks:



Included with recess-mount tracks:



Electronic Drive Unit (EDU) with end motor bracket attached[†]

[†]EDU Model: QSSC-EDU-D105-DL
24-36 V== 41 W

*Quantity varies with system width

Customer Assistance

USA and Canada: 1.844.LUTRON1 (588-7661) | UK: +44.(0)20.7702.0657 | lutron.com/help | support@lutron.com

For product warranty information, please see: [lutron.com/TechnicalDocumentLibrary/Window Systems Warranty.pdf](http://lutron.com/TechnicalDocumentLibrary/Window%20Systems%20Warranty.pdf)



Lutron Electronics Co., Inc.
7200 Sutter Road
Coopersburg, PA 18036-1299, U.S.A.

11/2024
P/N 045985 Rev. A

Lutron, the Lutron logo, and Sivoia QS are trademarks or registered trademarks of Lutron Electronics Co., Inc., in the U.S. and/or other countries.

Sivoia QS Wireless Drapery Lite System Installation Guide

1 Wall-Mount

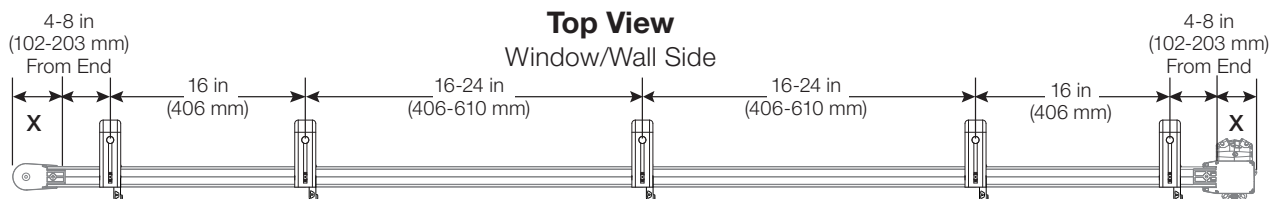
1.1 Mount the brackets:

IMPORTANT: The drapery track must be level to operate properly, so all brackets must be aligned along a level horizontal line. Each wall-mount bracket must be installed into a wall stud or other structural member using appropriate fasteners. Ensure brackets are mounted firmly enough to support the combined weight of the drapery track, EDU, and fabric.

If no appropriate structural member is available at the mounting location, it is the responsibility of the installer to add blocking as necessary to safely support the operating load of the system, including tugging that may occur during attempted manual operation.

- A. Bracket height: Mount the brackets at a height that will leave 1/2 in (13 mm) to 1 in (25 mm) clearance between the bottom of the drapery panel and the floor. Refer to sections 5 and 6 for fabric installation information that will help determine the correct bracket mounting height.

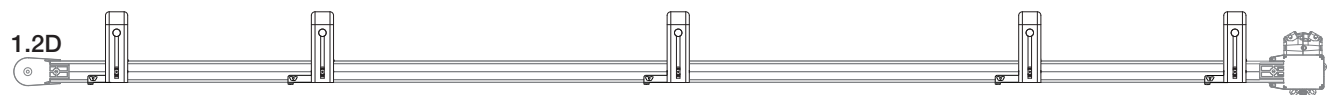
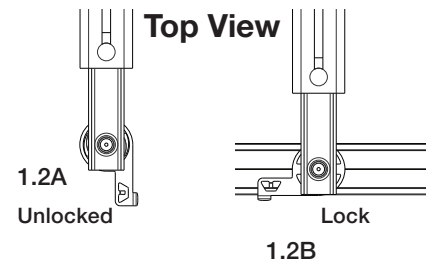
Bracket Spacing



- B. Position a bracket within 8 in (203 mm) of each end of the track.
- C. Position the next bracket a distance of 16 in (406 mm) inward from the brackets mounted in the previous step.
- D. Space the remaining brackets evenly between, 16 in (406 mm) - 24 in (610 mm) apart.

1.2 Attach the track to the brackets:

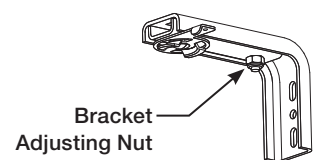
- A. Move all the cam-locks to the unlocked position
- B. Position the track under and against the cam-locks. Starting at the bracket nearest the center of the track, rotate the cam-lock lever arm to the locked position.
- C. Rotate the lever arm of the cam-locks on either side of the center one to the locked position.



IMPORTANT: The drapery track must be fully supported by at least two people until all of the cam-locks are securely engaged.

- D. Continue working toward the ends of the track, alternating directions (see sequence example above), until all the cam-locks are rotated to the locked position.

NOTE: Both tabs of all cam-locks must be fully engaged. If a cam-lock does not line up with the track, loosen the bracket adjusting nut and adjust the position of the cam-lock to properly engage it in the track. Re-tighten the bracket adjusting nut.



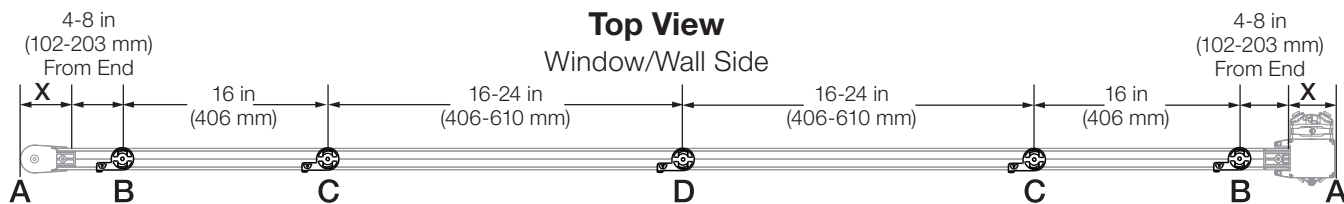
- E. Proceed to section 4: Electronic Drive Unit (EDU) Installation.

Sivoia QS Wireless Drapery Lite System Installation Guide

2 Ceiling-Mount

IMPORTANT: Each ceiling-mount cam-lock must be installed into a structural member using an appropriate fastener. Ensure the structural member is of sufficient strength to support the combined weight of the drapery track, EDU, and fabric.

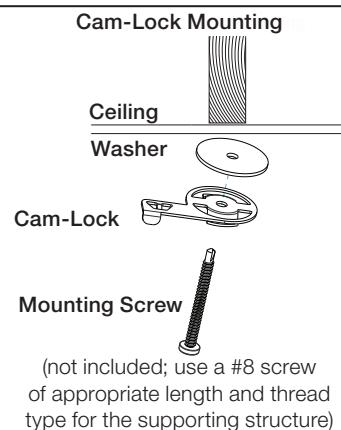
If no appropriate structural member is available at the mounting location, it is the responsibility of the installer to add blocking as necessary to safely support the operating load of the system, including tugging that may occur during attempted manual operation.



2.1 Fasten the ceiling-mount cam-locks to the ceiling:

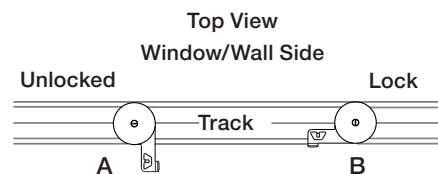
- Hold the drapery track up to the ceiling, and position it where it will be installed. Verify it is parallel to the window or wall, and use a pencil to make a mark on the ceiling at each end.
- Mount a cam-lock within 8 in (200 mm) of each end-mark made in Step 2.1A.
- Mount the next cam-locks 16 in (406 mm) inward from those mounted in Step 2.1B.
- Space the remaining cam-locks 16-24 in (406-610 mm) apart. For non-sheer drapery panels, a 16 in (406 mm) spacing is recommended between brackets at stackback location(s).

IMPORTANT: Each cam-lock must be installed with a washer as shown. The cam-locks must be mounted in a straight and level line. If the contour of the ceiling is not straight and level, use shims (not included) between the cam-lock washers and the ceiling to compensate for irregularities.



2.2 Mount the drapery track in the cam-locks:

- Rotate all of the cam-lock lever arms to the unlocked position.
- Position the track up against the cam-locks. Starting from the center of the track and working toward the ends, rotate each cam-lock lever arm to the locked position, until its tab is against the track.



IMPORTANT: The drapery track must be fully supported by at least two people until all of the cam-locks are securely engaged.

- Proceed to section 4: Electronic Drive Unit (EDU) Installation.

Sivoia QS Wireless Drapery Lite System Installation Guide

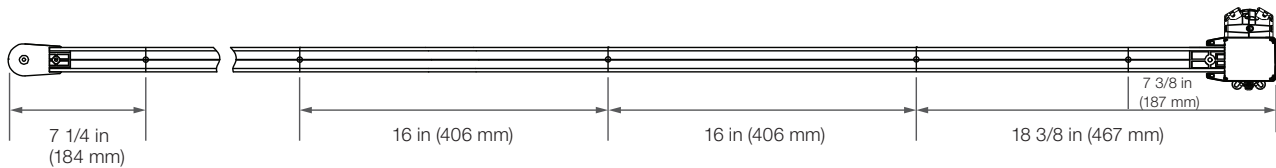
3 Recess-Mount: Prepare the Drapery Track

IMPORTANT: A drapery track with recess-mount brackets must be installed into a structural member using wood screws. Ensure the structural member is of sufficient strength to support the combined weight of the drapery track, EDU, and fabric.

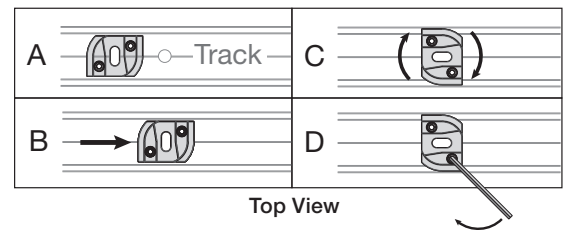
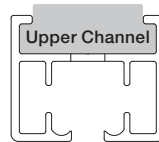
If no appropriate structural member is available at the mounting location, it is the responsibility of the installer to add blocking as necessary to safely support the operating load of the system, including tugging that may occur during manual or attempted manual operation.

3.1 Prepare the drapery track for mounting:

The drapery track is pre-drilled with mounting holes spaced as indicated below:



- A. Insert a recess-mount bracket into the track's upper channel.
- B. Align its center hole with a mounting hole in the drapery track. Temporarily insert a mounting screw through both holes to maintain their alignment.



- C. Rotate the recess-mount bracket 90°.
- D. Secure the recess-mount bracket using the 3/32 inch Allen key provided to tighten both set screws. Remove the mounting screw from the center hole.
- E. Repeat steps 3.1A through 3.1D to install a recess-mount bracket at each mounting hole location along the entire width of the drapery track.

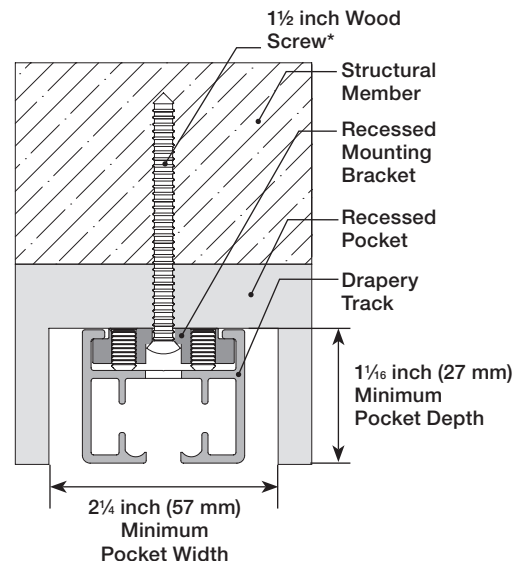
3.2 Mount the drapery track:

- A. Position the drapery track in the desired location.
- B. Insert the 1 1/2 inch wood screw provided through the hole in the track and recessed mounting bracket, and into a structural member in the ceiling, as shown.

IMPORTANT: The drapery track must be fully supported by at least two people until all of the mounting screws are installed.

- C. Repeat for all mounting holes in the drapery track

NOTE: Ensure the pocket dimensions allow sufficient clearance for fabric movement and stackback throughout the operating range of the system.

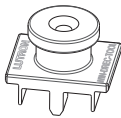
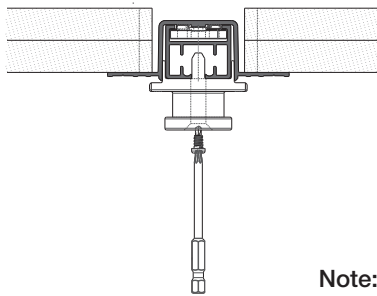
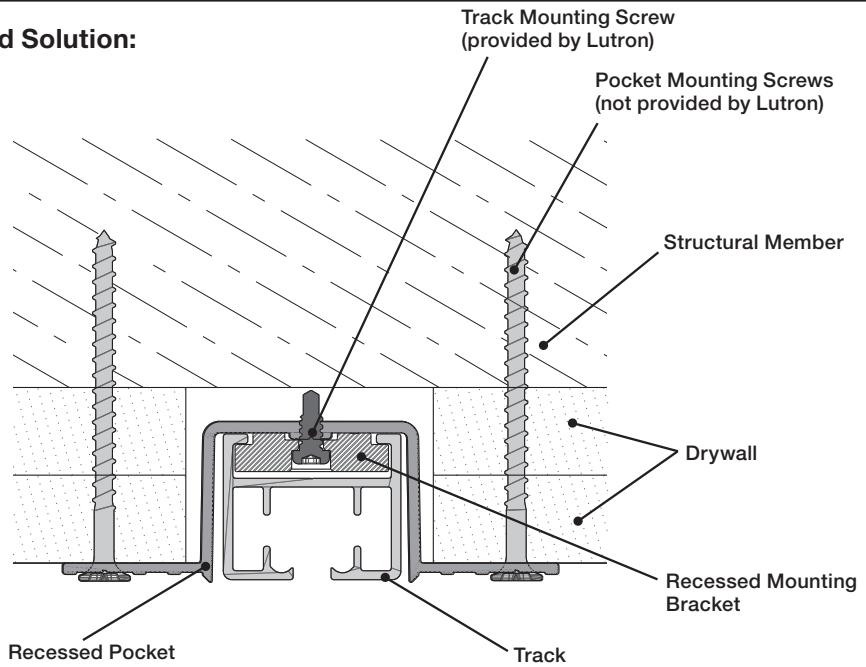


*The wood screws provided are appropriate for driving into wooden structural members only. It is the responsibility of the installer to select and install fasteners that are appropriate for the supporting structure.

4 Recess-Mount

4.1 Recess-Mount with Recessed Solution:

- Position the drapery track in the desired location.
- Insert the provided 1/2 in (12.7 mm) track mounting screw through the hole in the track and the recessed mounting bracket into a structural member in the ceiling, as shown.
- Repeat for all mounting holes in the drapery track.



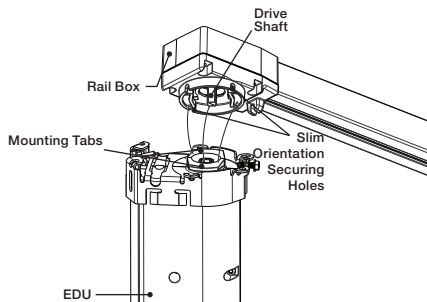
(WIN-DREC-TOOL)

Note: Lutron recommends using the Recessed Drapery Installation tool to space the track evenly in the pocket. The install tool can be used as a drill guide when installing the track mounting screw to protect the track.

5a Installing the EDU in Slim Orientation (Recommended for Fold Style Drapery)

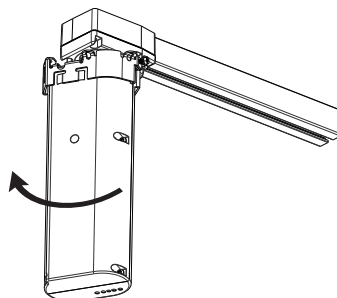
5.1 Insert:

- Insert the EDU mounting flange into the rail box by aligning the mounting tabs and drive shafts.
- Push the EDU into the railbox until the mounting tabs are fully inserted.



5.2 Rotate:

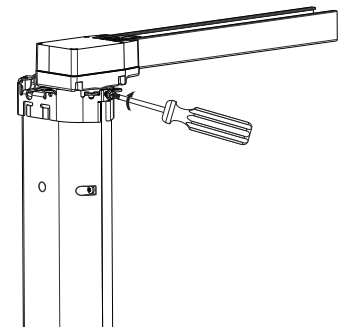
Rotate the EDU inside the mounting flange and align the desired holes for the securing screw on the motor bracket. Ensure the wire harness is not pinched.



5.3 Secure:

Install the securing screw.

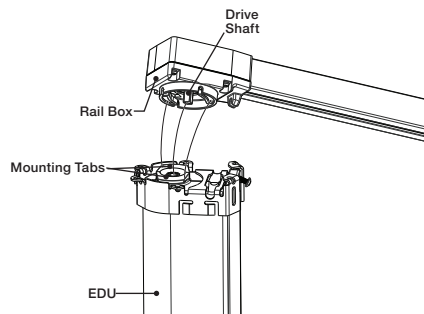
NOTE: The securing screw is necessary to safely secure the EDU. Verify that it is installed and tightened before operating the drapery.



5b Installing the EDU in Original Orientation

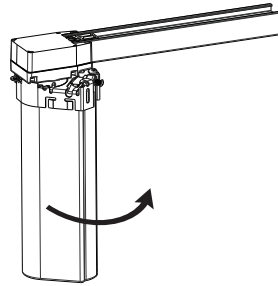
5.1 Insert:

- Insert the EDU mounting flange into the rail box by aligning the mounting tabs and drive shafts.
- Push the EDU into the railbox until the mounting tabs are fully inserted.



5.2 Rotate:

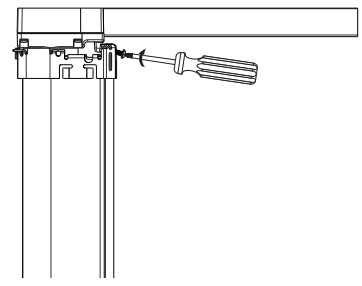
Rotate the EDU inside the mounting flange and align the desired holes for the securing screw on the motor bracket. Ensure the wire harness is not pinched.



5.3 Secure:

Install the securing screw.

NOTE: The securing screw is necessary to safely secure the EDU. Verify that it is installed and tightened before operating the drapery.



5.4 Basic Wiring:

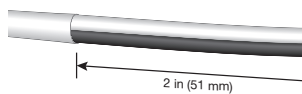
- For basic wiring instructions, please refer to the included wiring and setup guide: **045520 Sivoia QS Basic Wiring & Setup**
- For wireless receiver installation and setup, if applicable, please refer to the setup guide packaged with the wireless receiver: **045588 Sivoia QS Wireless RF Wireless Receiver**

6 Basic Wiring

6.1 Prepare the cable:

⚠ WARNING: SHOCK HAZARD. Lock the supply breaker in the OFF position, or remove fuse, before wiring to terminal block. Failure to do so could result in death or serious injury.

- Strip 2 in (51 mm) of outer jacket off cable coming from the wall.



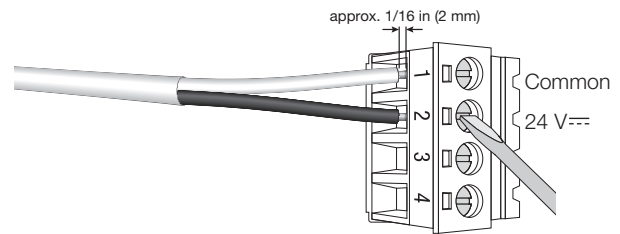
2-conductor cable shown. Number and colors of conductors may vary.

- Strip 1/4 in (6 mm) insulation off each individual wire.



6.2 Wire the 4-pin terminal block:

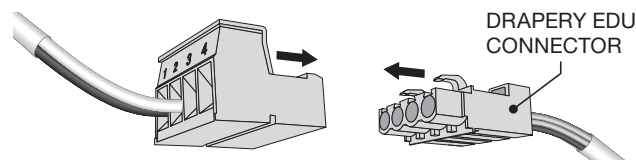
Wire the 4-pin terminal block (provided) to the cable using a small, flat-blade screwdriver to tighten screws securely on the exposed wire. Leave approximately 1/16 in (2 mm) of exposed conductor to ensure insulation is not pinched.



6.3 Connect the EDU:

Connect the EDU connector and the 4-pin terminal block.

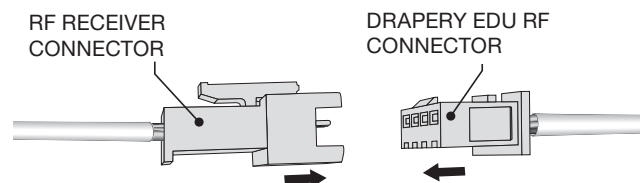
IMPORTANT: DO NOT supply power to the EDU until after the drapery fabric is installed. Follow the instructions in sections 7 and 8 on the following page.



NOTE: Arrange and secure the cables in a location that prevents them from interfering with moving parts.

6.4 Connect the RF Receiver:

Connect the RF Receiver to the EDU as shown below.



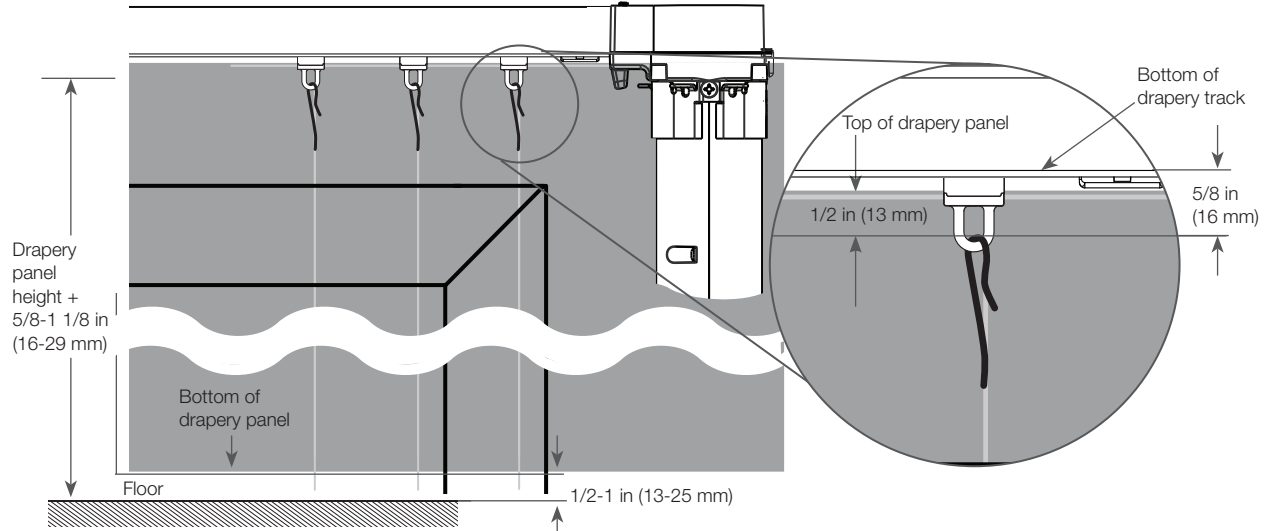
NOTE: Arrange and secure the cables in a location that prevents them from interfering with moving parts.

For Lutron RF Receiver installation information, please refer to P/N 045515 Sivoia QS Wireless Receiver

7 Fabric Installation

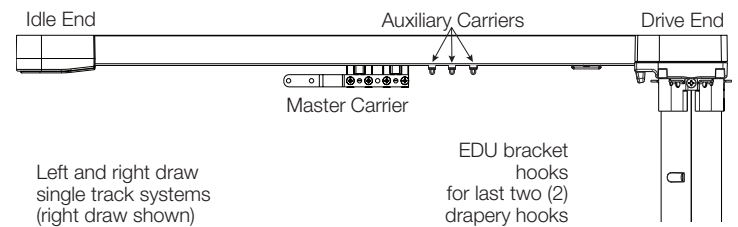
7.1 Attaching hooks:

Lutron recommends a drapery hook setting of 1/2 in (13 mm) from the top of the drapery to the top of the hook (hooks not included). This locates the drapes just below the track and prevents it from rubbing on the track. It is recommended that a distance of 1/2-1 in (13-25 mm) be maintained between the bottom of drapery panel and the floor.



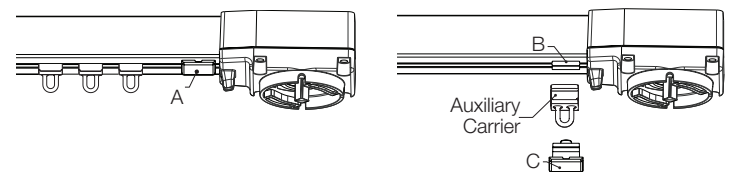
7.2 Hang the drapery - left and right draw systems:

Attach the drapery to the drapery track starting with the Master Carrier, attaching the last two hooks of the drapery to the railbox hooks.



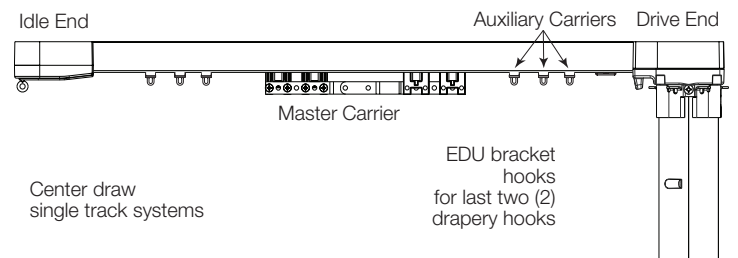
7.3 Add or remove auxiliary carriers - left and right draw systems:

- Remove square plug on the drive end of the track, using a flat blade screw driver.
- Insert or remove auxiliary carriers through the square hole in the track until the correct number of carriers are installed.
- Replace the square plastic plug by pushing it into the square hole until it snaps into place.



7.4 Hang the drapery - center draw systems:

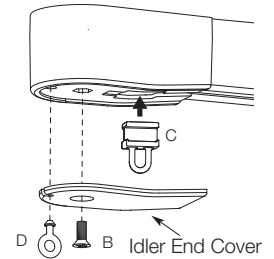
- Drive End:** Attach the drapery to the drapery track starting with the Master Carrier. Finish by attaching the last two hooks of the drapery to the railbox hooks.
- Idle End:** Attach the drapery to the drapery track starting with the Master Carrier. Finish by attaching the last hook of the drapery to the idler end hook. Remove any unused auxiliary carriers as shown in the following section.



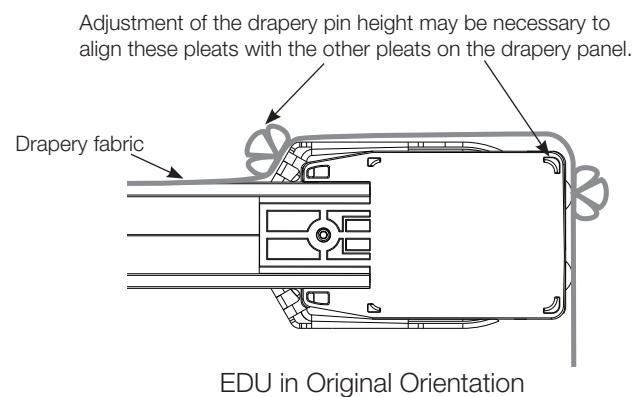
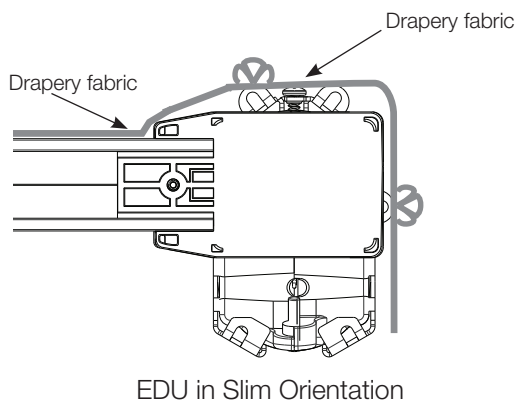
7 Fabric Installation (continued)

7.5 Add or remove auxiliary carriers - center draw systems:

- Follow the instructions in section 6.3 for the drive end plug removal, and installation of the auxiliary carriers.
- Remove the screw that retains the idler end cover. Remove the idler end cover and the hook eye.
- Insert or remove auxiliary carriers through the square hole in the idler end cap until the desired number of carriers is installed.
- Install the idler end hook eye and replace the idler end cover using the screw removed in step B.



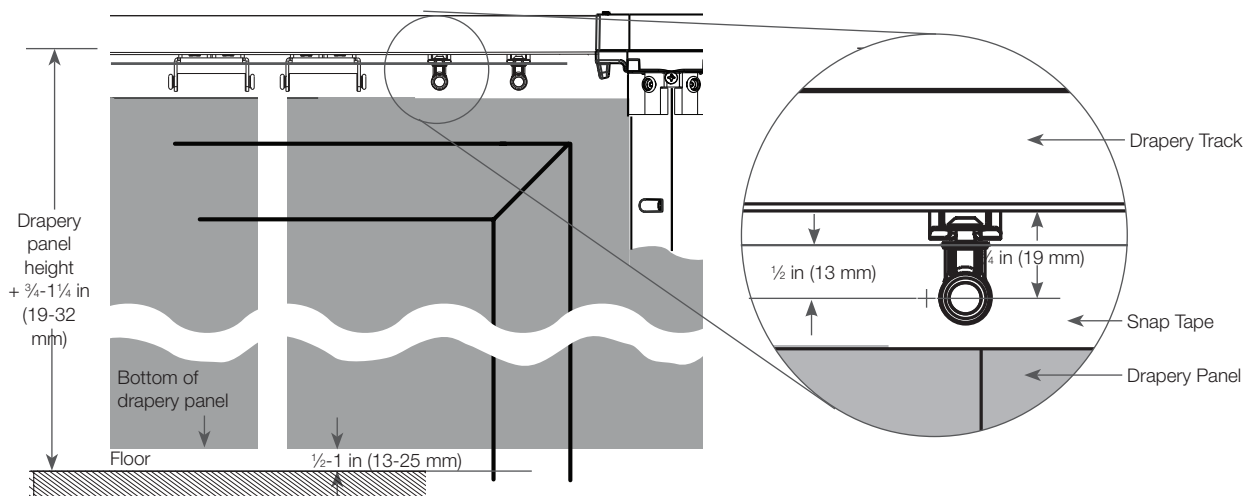
7.6 Dressing the drapery around the drive end:



8 Ripplefold Fabric Installation

8.1 Drapery Panel Height

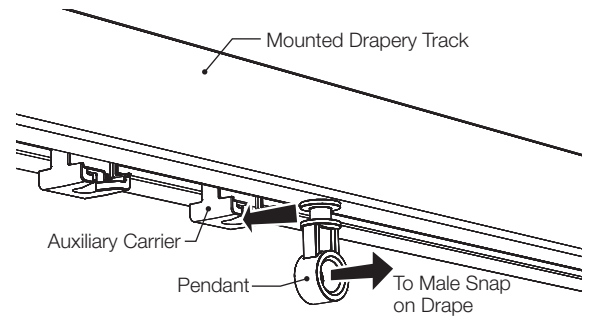
Drapes are typically sized so the bottom of the drapery track and top of the drapery panel are located 4 in (101 mm) above the window casing. Location may need to be adjusted to accommodate the specific drapery panel height and application. It is recommended that a space of 1/2-1 in (13-25 mm) be maintained between the bottom of drapery panel and the floor.



8 Ripplefold Fabric Installation (continued)

8.2 Attach the Drapery Panel

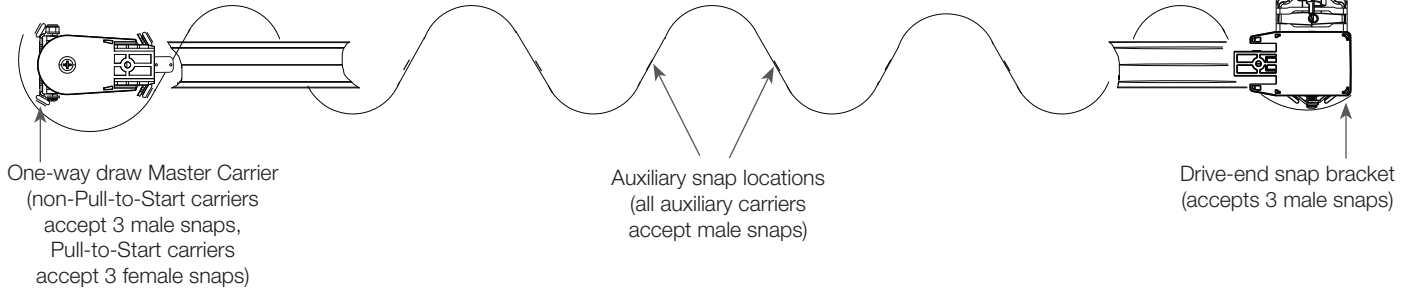
- Attach a pendant to each male auxiliary snap on the drape, leaving 3 at each end open for attachment to the drive/idler snap bracket and/or the master carrier.
- Hang the pendant in the corresponding auxiliary carrier as shown.
- Fasten the remaining snaps (3 at each end) to the drive/idler snap brackets and master carrier(s) according to the drapery configuration, following the appropriate configuration example below.



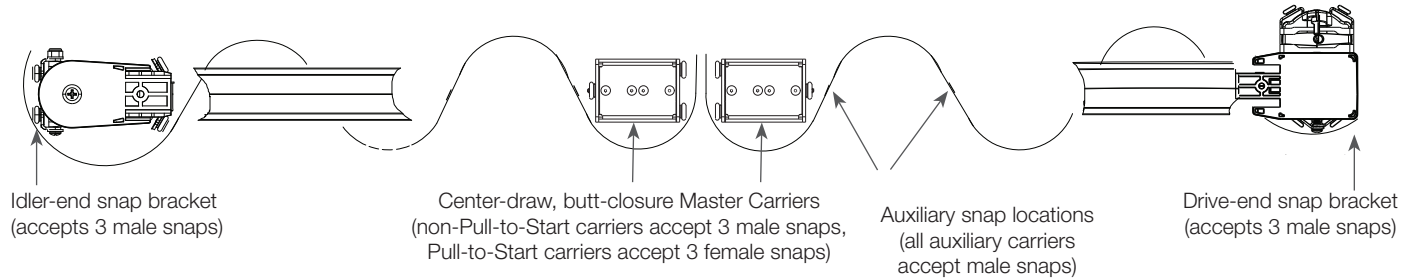
NOTE: Master carriers for pull-to-start drapery tracks with ripplefold fabrics accept female snaps. Non-pull-to-start master carriers accept male snaps.

8.3 Configurations

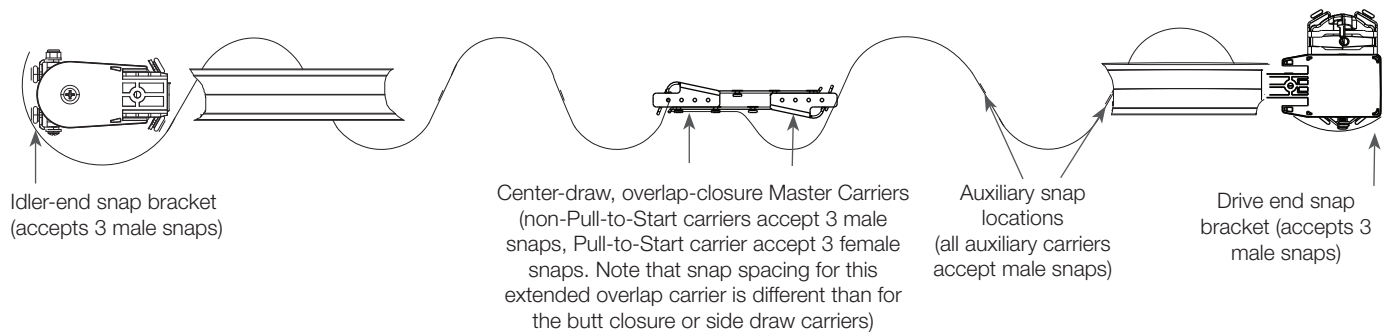
One-way draw



Center draw, butt-closure



Overlap-closure



9 Power Up the Drapery and Assign a Control

9.1 Initial Power-Up:


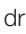
Connect the power supply to an appropriate power source.

The LED on the EDU will flash a red/green/blue pattern as the EDU powers up.

To find the meaning of LED blink codes, see:
lutron.com/TechnicalDocumentLibrary/Sivoia_QS_Shades.html

9.2 Wireless Control Assignment:

A. Place the Drapery Drive in Assignment Mode.

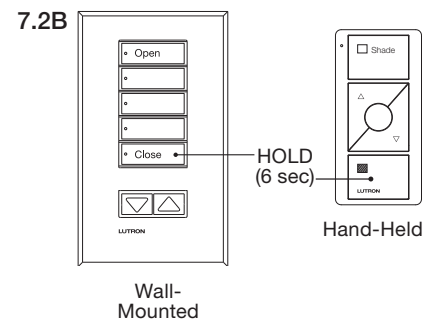
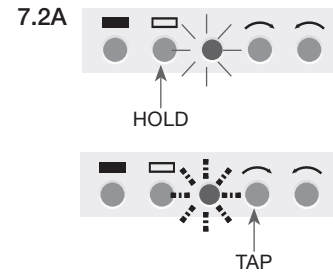
- Press and hold the  button on the drive until the green LED flashes, then remains solid.
- Tap the  button on the drive. The green LED's on the drapery drive and on the wireless receiver will flash twice every 4 seconds. The drive is now ready to be assigned to a control.
- Repeat the above steps for any other drapery drives that are being assigned to the same control.

B. Complete the Assignment.

- Press and hold the Bottom button on the wireless control for 6 seconds. The drapery will move a short distance in each direction, or “wiggle” one time. This confirms the drive has been assigned to the control, and exits Assignment Mode.

C. Repeat steps 7.2A and 7.2B to assign more drapery drives and/or additional controls.

NOTE: Draperies can be assigned to multiple controls. To un-assign devices, see “Restoring Factory Default Settings” on the following page.







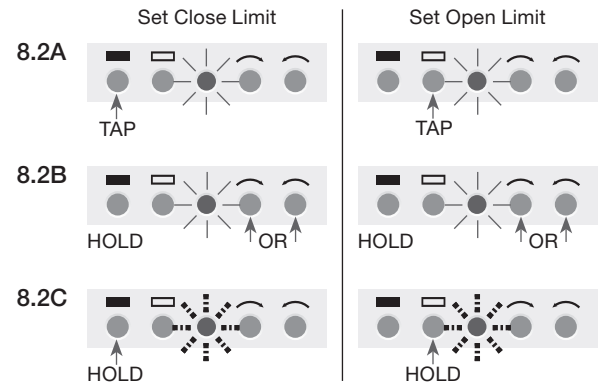
10 Setting Open and Close Limits

10.1 Setting limits automatically using an assigned control:

- A. Tap the bottom (Close) button on the control. The drapery will move to the fully closed position.
- B. Tap the top (Open) button on the control. The drapery will move to the fully open position.

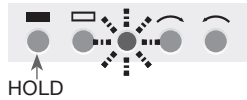
10.2 Setting a custom limit using the drive controls:


- A. Enter Limit-Set Mode
 - To set the Close limit, tap the  button. The green LED illuminates.
 - To set the Open limit, tap the  button. The green LED illuminates.
- B. Move the drapery
 - Press and hold  or  until the drapery is at the desired location.
- C. Press and hold the same button originally tapped in step 8.2A until the green LED flashes, then turns off.

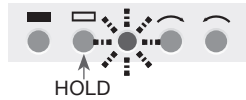



Restoring Factory Default Settings

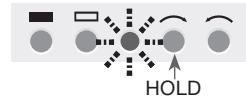
This procedure will un-assign this drapery drive from all wireless controls, but will not affect the open and close limits.




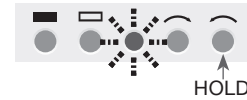
A. Press and hold  until the green LED flashes. Release.




B. Press and hold  until the green LED flashes. Release.



C. Press and hold  until the green LED flashes. Release.



D. Press and hold  until the LED flashes a multicolor sequence, indicating the factory default settings have taken effect. Release.