

# Lutron Roller 64 Regular-Roll Shades with 4-Inch Fascia

Chassis Mounting Guide for Roller 64 Regular-Roll Shades with 4-Inch Fascia. Please read before installing.

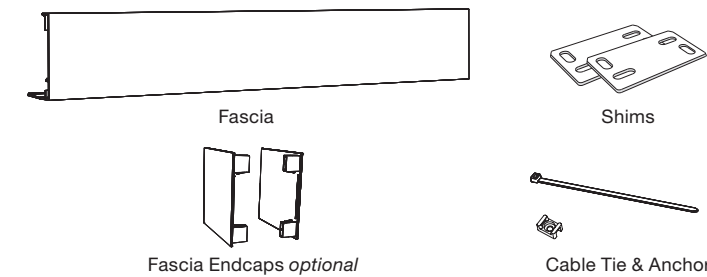
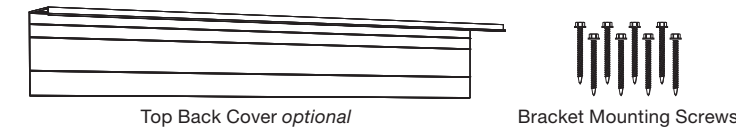
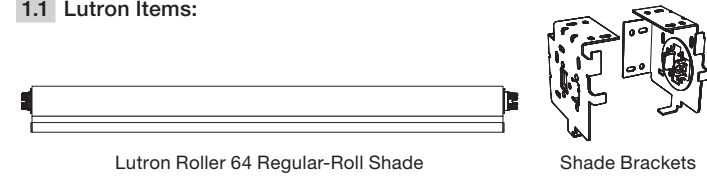
## 1 Prepare to Install

**CAUTION: RISK OF FALLING OBJECTS.** Read and follow all instructions for mounting the shade system. Failure to follow these instructions could result in minor to moderate injury.

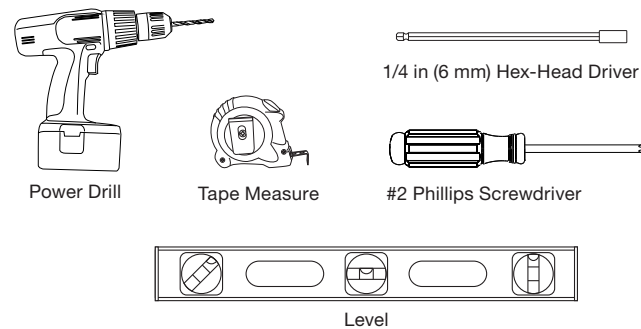
### Important Notes: Please Read Before Installing

- A. Lutron systems** are intended for use with only Lutron brackets, controls, and power supplies.
- B. Codes:** Install in accordance with all local and national electrical codes.
- C. Environment:** Ambient operating temperature: 32 °F - 104 °F (0 °C - 40 °C), 0 - 90% humidity, non-condensing. Indoor use only.
- D.** The shade system must be mounted to blocking or other suitable structural material. It is the responsibility of the installer to choose and install fasteners that are appropriate for the mounting surface such that each shade bracket can support a load of 250 lbs (113.4 kg).
- E.** Maintain sufficient clearance between the moving shade and any object.
- F.** Mount fixed controls and keep remote controls out of reach of children.
- G.** DO NOT operate shades if there are visible signs of wear or damage.

### 1.1 Lutron Items:



### 1.2 Additional Items You'll Need:



## 2 Cable Entry

Cable should exit from the wall, header, or jamb on the drive side of system. Leave 12–18 in (30–45 cm) of cable exposed.

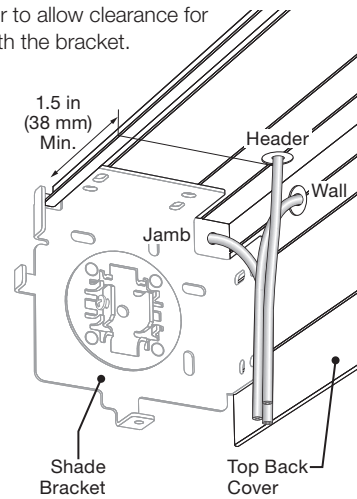
### 2.1 Wall or Header Entry

If applicable, pre-drill the top back cover to allow clearance for the entry of wiring without interfering with the bracket. See the picture at right for examples.

**IMPORTANT:** The cable-entry hole must be a minimum of 1.5 in (38 mm) from the end of the top back cover to avoid interference with shade bracket installation, and large enough to allow for adjustment during installation without pinching the cable.

To ensure ample clearance between wiring and the fabric roll:

- Wall entry should be as high as possible.
- Header entry should be as close to the wall as possible.



Cable Entry Examples

### 2.2 Jamb Entry

The shade bracket features a large cutout for jamb-side cable entry at the upper rear; no pre-drilling is necessary. Use the bracket itself as a template.

## 4 Install the Shade Brackets (without a Top Back Cover)

**NOTE:** If you mounted the top back cover and brackets according to the steps in section 3, skip this section and proceed directly to section 5.

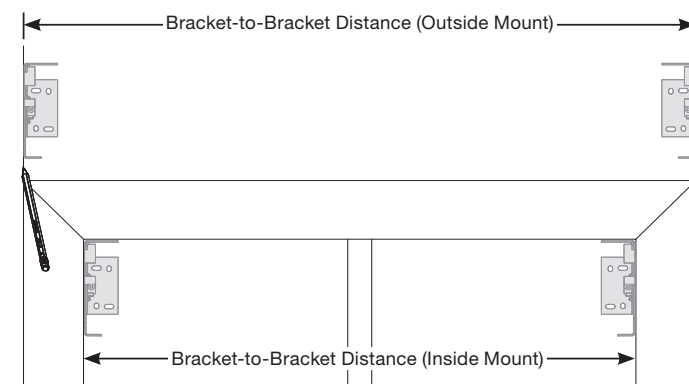
### 4.1 Mark the Shade Bracket Locations

Mark the location of the shade brackets so that they are level and centered over the window, ensuring that the screws will be driven into a structural member capable of supporting the operating load of the shade system.

- Bracket-to-bracket distance = tube width + 1.5 in (38 mm).
- **DO NOT** use the unmounted shade to determine the bracket location. Always use the bracket-to-bracket distance to determine bracket location. There is an idler spring that compresses\* during shade installation, allowing the shade to fit inside the bracket-to-bracket distance.

\***IMPORTANT:** At the correct bracket-to-bracket distance, idler compression will be approximately 50% of its total travel.

- Allow ample clearance to prevent the fabric from rubbing against the trim, window, top treatment, or any object. Wall mount may require spacer blocks (not included), to clear the trim.



## 3 Installing with the Optional Top Back Cover

**NOTE:** If the installation does not include the optional top back cover, skip this section and continue with section 4 **Install the Shade Brackets**

### 3.1 Mount the Top Back Cover

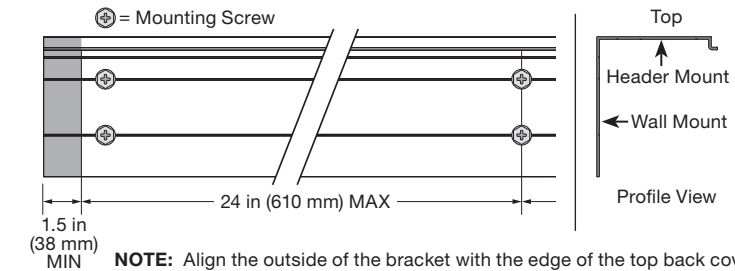
- a.** Verify that the mounting surface is level (header mount) or plumb (wall mount) before attaching the top back cover.

**NOTE:** If the mounted top back cover is twisted or tilted, this could cause fabric rub, telescoping, or rough/noisy operation. Shim if necessary. Add shims between the mounting surface and top back cover only. **DO NOT** add shims between the top back cover and brackets.

The top back cover features grooves that indicate recommended screw placement, and help stabilize the point of your screw or drill bit.

- b.** Install two (2) mounting screws (not included) at each end, and at least one pair (2 screws) for every 24 in (610 mm) of top back cover width.

**IMPORTANT:** Top back cover mounting screws must be installed a minimum of 1.5 in (38 mm) from each end of the top back cover to provide clearance for shade bracket installation.

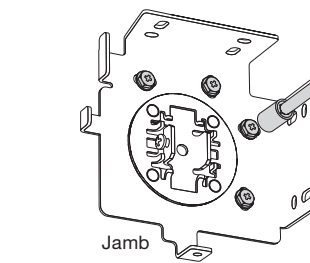
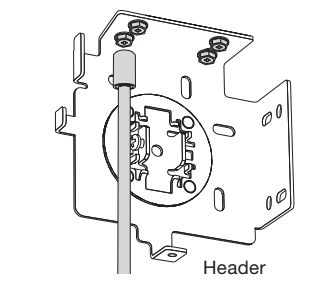
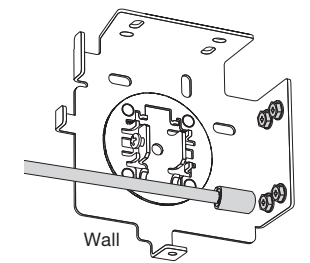


### 4.2 Mount the Shade Brackets

Install the shade brackets at the marks made in step 4.1 using four (4) mounting screws\* in each one.

To ensure smooth, quiet shade operation, verify that the mounted shade brackets are plumb, level, and aligned. Adjust as necessary, adding shims (provided) to wall or header mounted brackets, if required.

\* The self-drilling mounting screws provided are suitable for mounting into solid wood. It is the responsibility of the installer to select and install fasteners which are appropriate for the mounting surface such that each shade bracket can support a load of 250 lbs (113.4 kg)

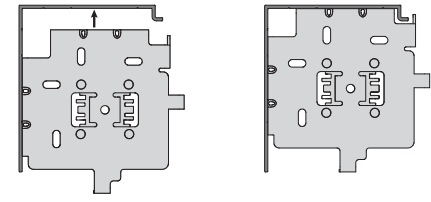


### 3.2 Mount the Shade Brackets

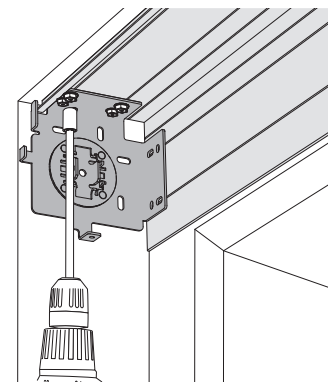
- a.** Mark the location of the shade brackets in the top back cover at the bracket-to-bracket distance, centered over the window opening.

(Bracket-to-bracket distance = tube width + 1.5 in [38 mm]).

- b.** Position the left shade bracket in the top back cover as shown, aligning it with the marks made in step a. and install four (4) mounting screws\* in each one, through the top back cover, and into the mounting surface (header mount shown).



- c.** Repeat step b. to mount the second shade bracket in the top back cover.

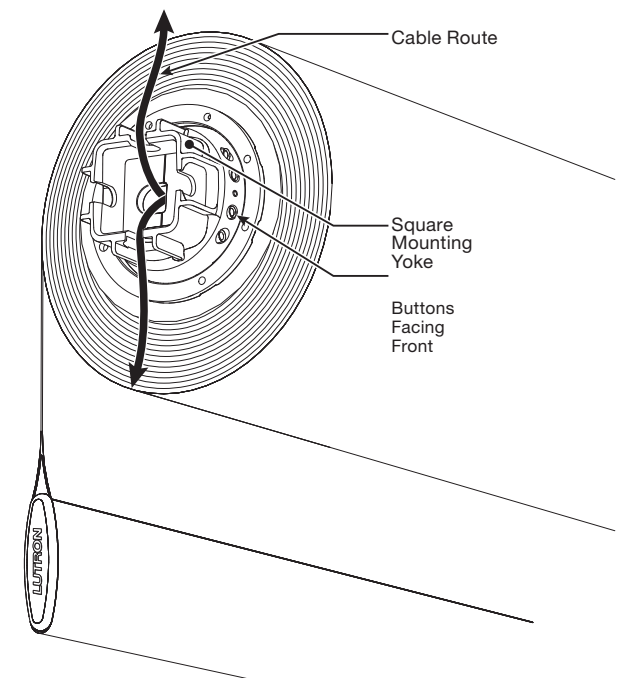


\* The self-drilling mounting screws provided are suitable for mounting into solid wood. It is the responsibility of the installer to select and install fasteners which are appropriate for the mounting surface such that each shade bracket can support a load of 250 lbs (113.4 kg)

## 5 Orient the Control Buttons and Route the Drive Cable(s)

At the drive end of the shade, the square mounting yoke is designed to fit over the tabs on the shade bracket, and has a notch in each of its 4 sides.

- a.** Orient the shade as shown, so that the control buttons face toward the front, accessible from the room side (left-drive shown).
- b.** Route the drive cable(s) up or down, using the upper and/or lower notches in the mounting yoke to provide clearance.

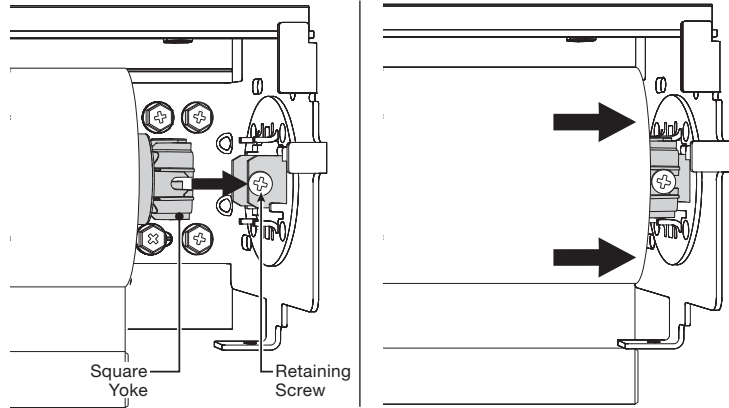


### 6 Hang the Shade in the Brackets

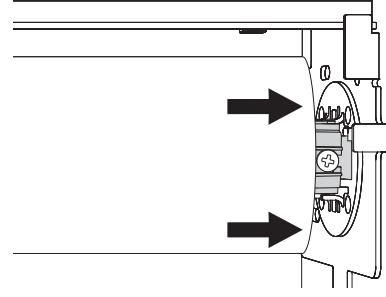
**IMPORTANT:** For shades wider than 48 in (1219 mm), this procedure must be performed by 2 people, with one person supporting each end of the shade. If the shade is to be mounted in a location that cannot be reached when standing on the floor, 2 ladders or lifts may also be required.

The square mounting yoke at each end of the shade is designed to fit over the mounting tabs on the shade brackets. Each side features a notch. The front and back of the yoke will engage the shade bracket mounting tabs, with the front notch around the retaining screw.

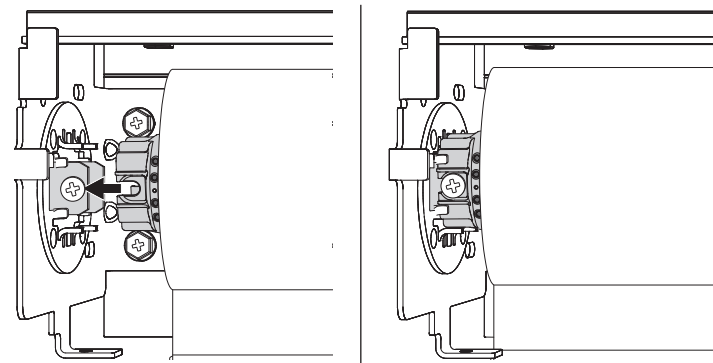
- a. Align the idler mounting yoke with the shade bracket mounting tabs, and fit the yoke around the tabs and behind the head of the retaining screw as shown.



- b. Depress the spring-loaded idler by pressing the shade toward the idler bracket.



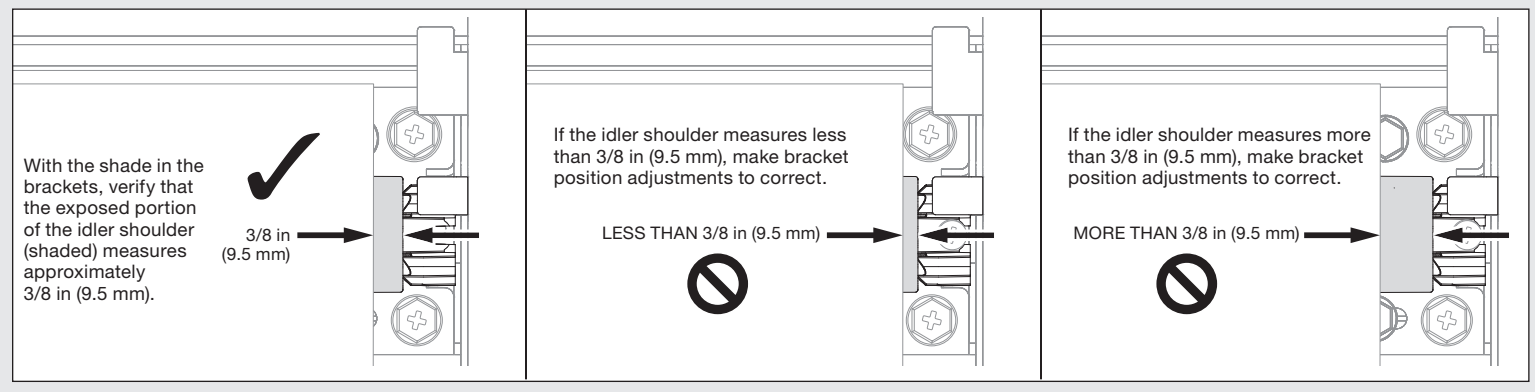
- c. Fit the drive-end mounting yoke over the tabs, and behind the head of the retaining screw, on the drive end shade bracket.



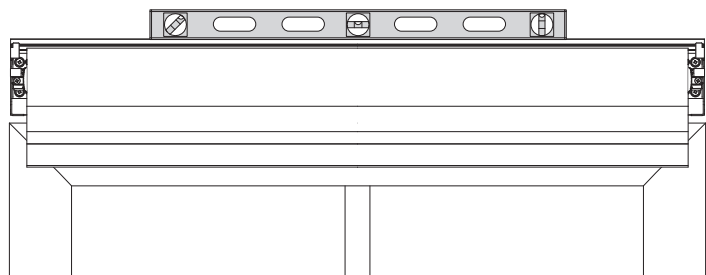
**IMPORTANT:** Ensure the drive cables are routed properly through the notch as shown in Section 5, and are not pinched.

### 7 Check and Secure the Shade

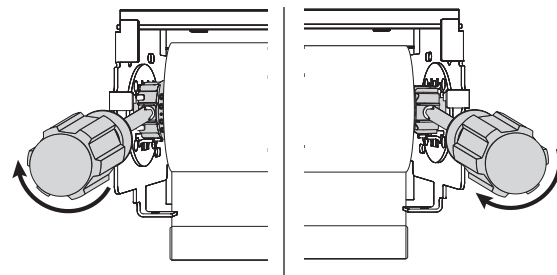
**IMPORTANT:** To ensure safe mounting and smooth, quiet operation, shades are sized according to the bracket-to-bracket distance indicated on the original order so that the spring loaded idler will be compressed 3/8 in (9.5 mm) when both ends of the shade are engaged in the brackets. After mounting the shade according to the steps in Section 6, verify the idler is compressed 3/8 in (9.5 mm) by measuring the exposed portion of the idler shoulder as shown below.



- a. Verify that the installed shade system is level and centered on the window opening. Make bracket position adjustments to correct, if necessary.



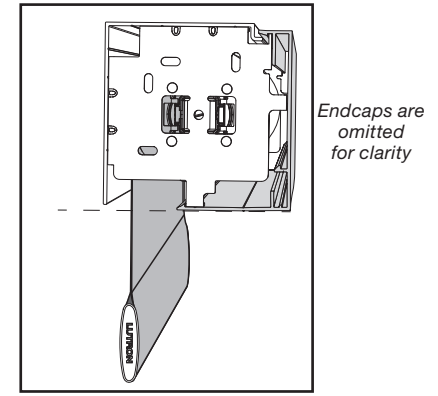
- b. Using the **hand screwdriver only**, firmly tighten the retaining screw at each end of the shade to secure it.



### 8 Wiring and Power-Up

- a. Follow the instructions in the enclosed document: Sivoia QS Basic Wiring and Setup; P/N 045520 to complete the shade wiring and set limits\*.
- b. Run the shade up and down several times and verify that no object interferes with normal shade movement. Make additional adjustments as necessary to correct any problems discovered.

**\*IMPORTANT:** The upper limit must be set to prevent the shade's bottom bar from being drawn up into the top treatment. Ensure the bottom bar hangs below the fascia and top back cover as shown when the shade is fully raised.

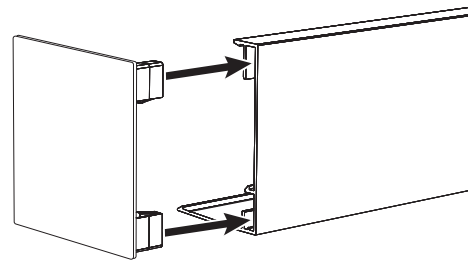


### 9 Install Endcaps and Fascia

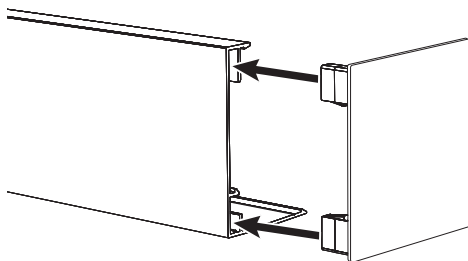
**IMPORTANT:** For fascia wider than 48 in (1219 mm), this procedure must be performed by 2 people, with one person supporting each end of the fascia. If the shade is mounted in a location that cannot be reached when standing on the floor, 2 ladders or lifts may also be required.

#### 9.1 Install the Endcaps on the Fascia

- a. Press the pegs on an endcap into the open channels at the end of the fascia as shown.

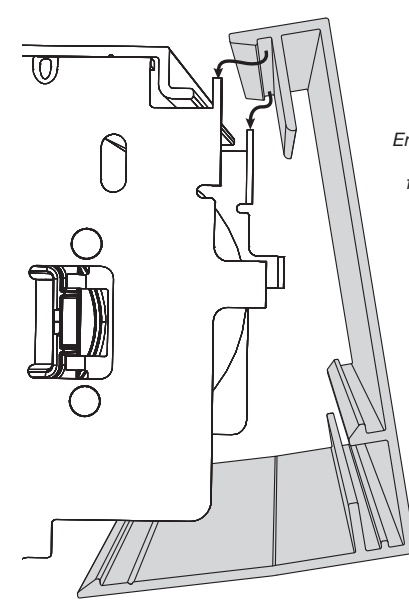


- b. Repeat step a. to install an endcap at the other end of the fascia.

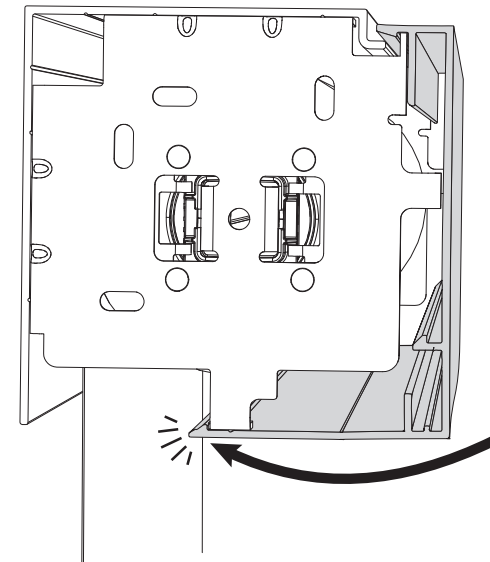


#### 9.2 Install the Fascia on the Shade

- a. Hang the top lip of the fascia on the shade brackets' upper hooks.



- b. Swing the bottom of the fascia down below the shade and engage the bottom lip on the lower tab of the shade bracket.



**IMPORTANT:** Verify the fascia is securely engaged at all attachment points on both shade brackets.

### Care and Maintenance

After the product has been installed correctly by a qualified installer, there is no mechanical upkeep required. In the event adjustments or repairs are needed, the original provider of the systems should be notified. All adjustments and repairs must be made by qualified personnel.

Fabrics may be periodically dusted in place using a feather duster or vacuum with a soft brush attachment. For detailed fabric care information, refer to [www.lutronfabrics.com](http://www.lutronfabrics.com).

#### Worldwide Headquarters | USA

Lutron Electronics Co., Inc.  
7200 Suter Road, Coopersburg, PA 18036  
Customer Assistance: 1.844.LUTRON1 (588-7661)  
[lutron.com/help](http://lutron.com/help) | [systemsupport@lutron.com](mailto:systemsupport@lutron.com)

#### EEA

Lutron NL B.V., Herengracht 466 1017 CA  
Amsterdam, Netherlands (Importer)

#### United Kingdom

Lutron EA Ltd  
125 Finsbury Pavement, 4th floor  
London EC2A 1NQ, UK  
Tel: +44.(0)20.7702.0657 | Fax: +44.(0)20.7480.6899  
Technical Support: +44.(0)20.7680.4481 | Freephone: 0800.282.107