

FOLLOW THESE INSTRUCTIONS BEFORE INSTALLING THE SHADE

SEE THE REVERSE SIDE FOR WIRED & CORDLESS MANUAL SHADES

## 1 Prepare to Install

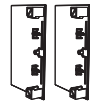
If the architectural fascia is unattached to the shade, **before installing the shade**, attach the fascia, then install its endcaps, following the steps in Sections 2 and 3.

If the architectural fascia is attached to the shade, **before installing the shade**, skip to Section 3 to install the endcaps.

### 1.1 Included in the box:



Architectural Fascia



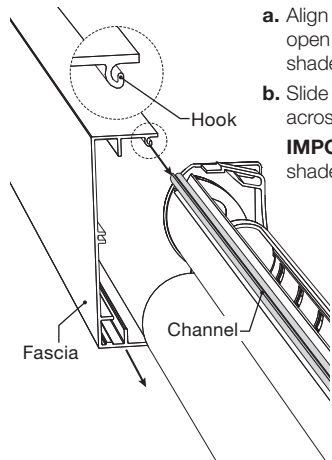
(2) Fascia Endcaps



(2) Anti-slip Screws<sup>Ⓞ</sup>

<sup>Ⓞ</sup>The included anti-slip screws are optional, and should only be installed if needed. Please refer to “Anti-slip Screws” at right for more information.

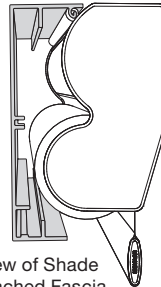
## 2 Attach the Fascia



- Align the hook feature at the inside-top of the fascia with the open end of the fascia-mounting channel on the front of the shade, and insert.
- Slide the hook into and through the channel all the way across the width of the shade.

**IMPORTANT:** Use caution to avoid damaging the shade fabric.

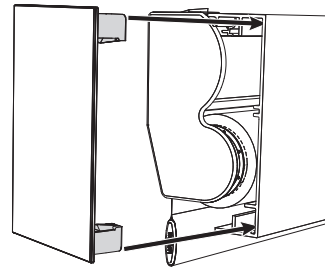
**NOTE:** The fascia is wider than the shade, and should be centered so that it extends an equal distance past each end of the shade.



End-View of Shade with Attached Fascia

## 3 Install the Endcaps

- Insert the square pegs of an endcap into the channels at the inside-front corners of the left end of the fascia. Press until the endcap is flush with the edge of the fascia.



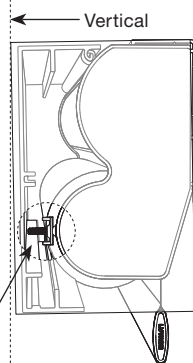
- Repeat to install the other endcap on the right end of the fascia.

## 4 Standoff Adjustment (optional, after mounting the shade)

**AFTER THE SHADE IS MOUNTED TO THE WINDOW, THE FINAL POSITION OF THE FASCIA MAY BE ADJUSTED.**

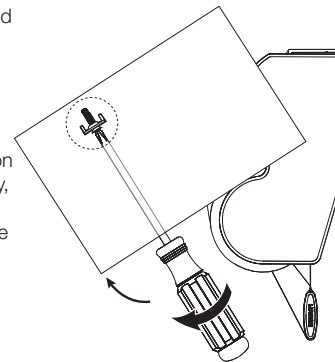
The inside of each fascia endcap features a standoff adjustment screw. Use it to:

- Adjust the final fascia position to vertical, if necessary
- Bring the fascia into alignment with an adjacent object or surface



Standoff Adjustment Screw (inside endcap)

To adjust, lift the fascia and use a Phillips screwdriver to turn the adjusting screw counter-clockwise. Adjust 1/2-turn at a time, then recheck the fascia position. When the position of the fascia is satisfactory, adjust standoff at the opposite endcap using the same method.



## Anti-slip Screws

**IMPORTANT:** The battery tray closure system is designed to be secure, yet easy to open and close. On some larger shades, the combined weight of batteries and architectural fascia may cause the battery tray to “slip” open partially. If, after installing architectural fascia and closing the battery tray, the fascia appears to sag, follow the steps below to correct the problem.

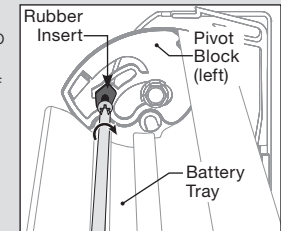
**NOTE:** It is recommended that unused anti-slip screws are kept with the shade in case slipping develops over time.

### A Verify the Shade is Level

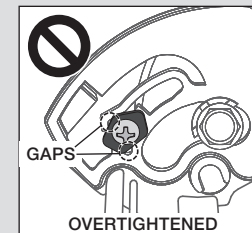
Inspect the installed shade to verify that it hangs level, end to end, and front to back. Mounting surface irregularities may cause the mounting rail to “twist,” so it’s important to compare the two ends of the shade. Such irregularities should be corrected by shimming the mounting rail at fastening points, and/or adjusting the fascia standoff as shown in Section 4. If the battery tray still slips open on a verified level, standoff-adjusted shade, continue to section B.

### B Install Anti-slip Screws

- Open the battery tray and thread an anti-slip screw into the hole in the rubber pivot block insert at the left end of the battery tray, as shown.

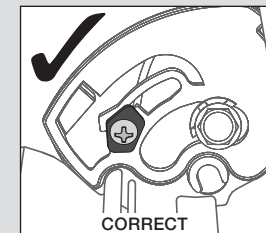


- Hand-tighten the screw until the screw head is flush against the insert. **DO NOT** overtighten.



GAPS

OVERTIGHTENED



CORRECT

If the screw is overtightened, the insert may rotate out of position. To correct, turn the screw back counter-clockwise.

- The first anti-slip screw will increase resistance on the battery tray closure. Close the battery tray and inspect. If slippage still occurs, repeat steps 1 and 2 to install the second anti-slip screw inside the right end of the battery tray. Close the battery tray.

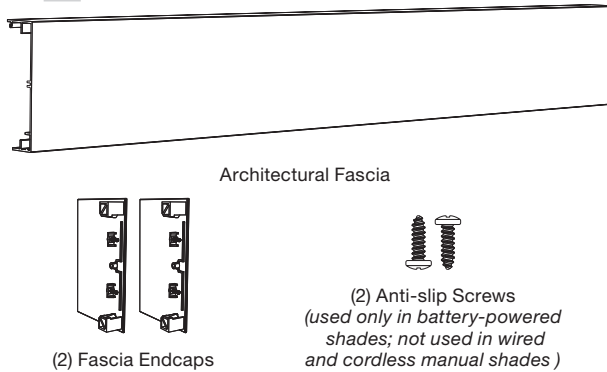
**FOLLOW THESE INSTRUCTIONS BEFORE INSTALLING THE SHADE**

**SEE THE REVERSE SIDE FOR BATTERY-POWERED SHADES**

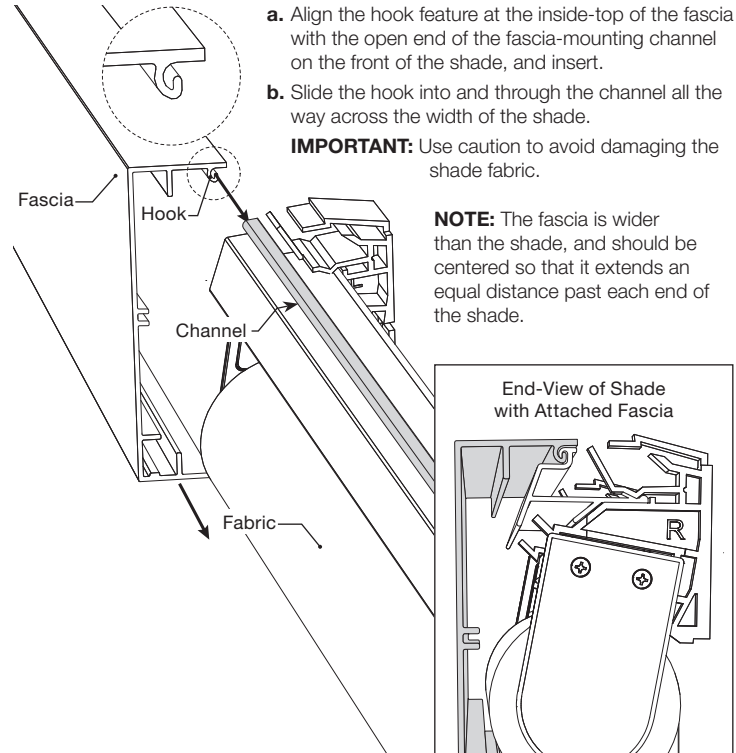
## 1 Prepare to Install

If the architectural fascia is unattached to the shade, **before installing the shade**, attach the fascia, then install its endcaps, following the steps in Sections 2 and 3. If the architectural fascia is attached to the shade, **before installing the shade**, skip to Section 3 to install the endcaps.

### 1.1 Included in the box:



## 2 Attach the Fascia



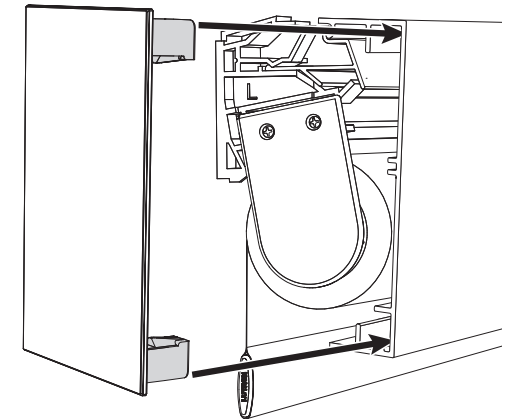
- Align the hook feature at the inside-top of the fascia with the open end of the fascia-mounting channel on the front of the shade, and insert.
- Slide the hook into and through the channel all the way across the width of the shade.

**IMPORTANT:** Use caution to avoid damaging the shade fabric.

**NOTE:** The fascia is wider than the shade, and should be centered so that it extends an equal distance past each end of the shade.

## 3 Install the Endcaps

- Insert the square pegs of an endcap into the channels at the inside-front corners of the left end of the fascia. Press until the endcap is flush with the edge of the fascia.



- Repeat to install the other endcap on the right end of the fascia.

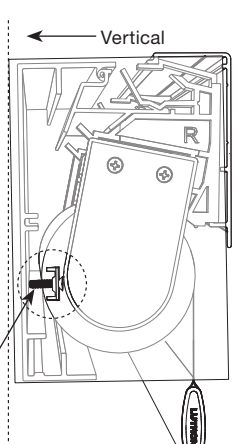
## 4 Standoff Adjustment (optional, after mounting the shade)

**AFTER THE SHADE IS MOUNTED TO THE WINDOW, THE FINAL POSITION OF THE FASCIA MAY BE ADJUSTED.**

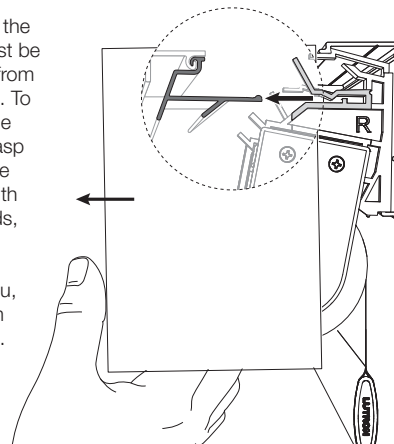
The inside of each fascia endcap features a standoff adjustment screw. Use it to:

- Adjust the final fascia position to vertical, if necessary
- Bring the fascia into alignment with an adjacent object or surface

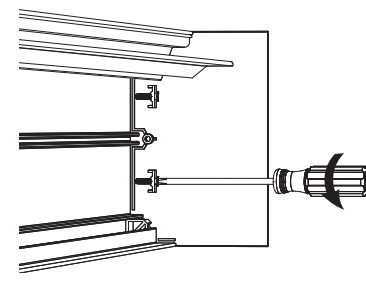
Standoff Adjustment Screw (inside endcap)



To adjust, the fascia must be removed from the shade. To remove the fascia, grasp it along the bottom with both hands, and pull it straight toward you, away from the shade.



From the backside of the removed fascia, use a Phillips screwdriver to turn the adjusting screw at each end counter-clockwise, approximating the distance needed for the desired standoff.



Re-attach the fascia, inserting the fascia rail (dark gray) into the receivers on the shade brackets (light gray). Check the fascia position and repeat the adjustment procedure as needed.

