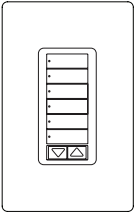
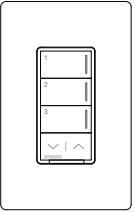
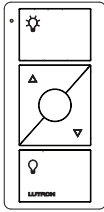
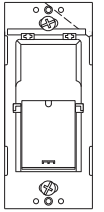


### How to Retrofit a Wall-Mounted Wireless Keypad into an Existing Home

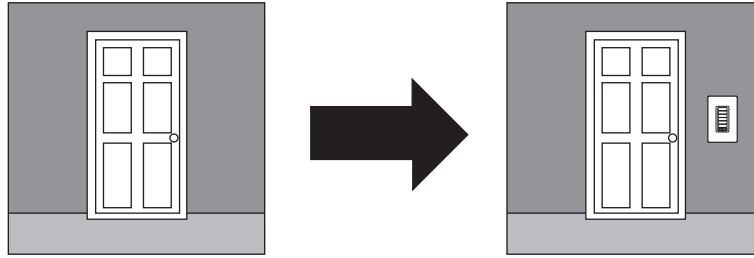
							
seeTouch Keypad	seeTouch Hybrid Keypad	Sunnata Keypad	Sunnata Hybrid Keypad	Pico Remote Control	Wallplate Bracket	Wall-Mounting Bracket	
RRD-W* HQRD-W*	RRD-HN* HQRD-HN*	RRST-W* HRST-W*	RRST-HN* HRST-HN*	PJ2-*	PICO-WBX-ADAPT	PJ2-WALL-WH-L01	

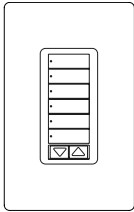
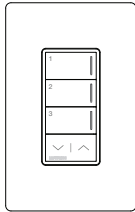
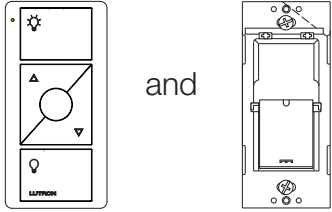
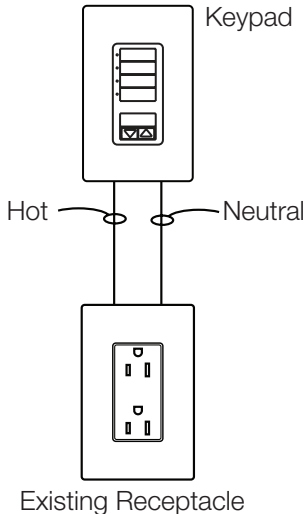

\* Model number prefixes only – see product catalogs for complete list of model numbers

#### Table of Contents

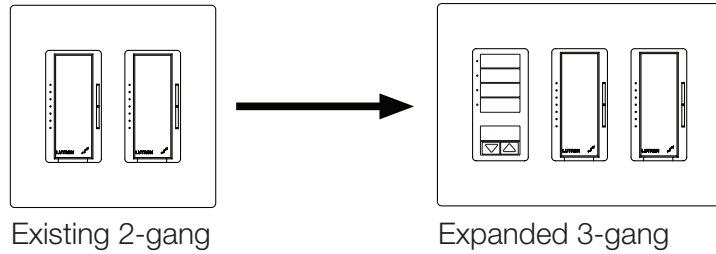
Adding a Keypad to a Blank Wall .....	2
Adding a Keypad to the Side of an Existing Group of Dimmers/Switches .....	3
Replacing a Light Switch with a Keypad in a Single-Pole Circuit .....	4
Replacing Light Switches with a Keypad in a 3-Way/4-Way Circuit.....	5
How to Use a Single-Pole, Hybrid Keypad in a 3-Way Application (using a Pico Remote Control) .....	7
How to Use a Single-Pole, Hybrid Keypad in a 3-Way Application (using a Dimmer).....	8
How to Use a Single-Pole, Hybrid Keypad in a 3-Way Application (using a -W Keypad) .....	9

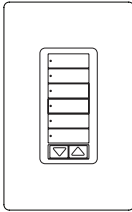
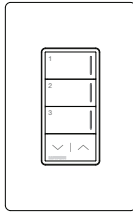
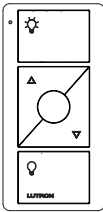
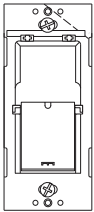
## Adding a Keypad to a Blank Wall



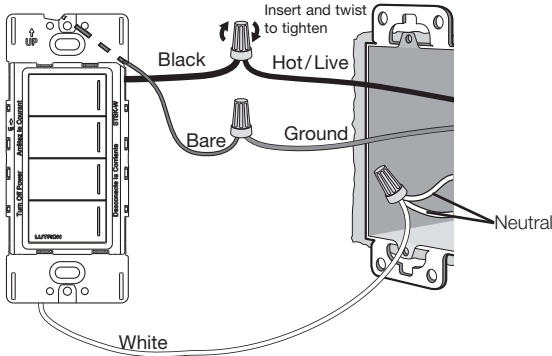
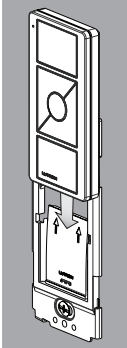
	If you can run electricity (120 V~) to this location:		If you <u>CANNOT</u> run electricity to this location:
	seeTouch Keypad 	Sunnata Keypad 	Pico Remote Control and Wall-Mounting Bracket 
Caséta Wireless			PJ2-WALL-WH-L01
RadioRA 2	RRD-W		
RadioRA 3	RRD-W	RRST-W	
HomeWorks	HQRD-W	HRST-W	
Wallplate	CW-1 or SC-1		CW-1 or SC-1
Installation	<p>Run 120 V~ from a nearby receptacle or electrical box to the new location.</p> 		<p>Mount the wall-mounting bracket per the included instructions and attach the Pico remote control.</p> 

## Adding a Keypad to the Side of an Existing Group of Dimmers/Switches

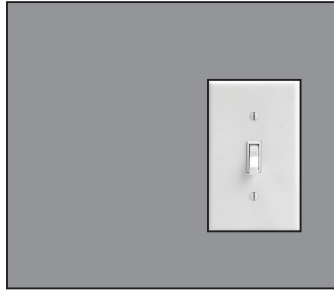


If you can extend/replace the electrical box behind the wall, and the electrical box has access to both the 120 V~ hot and neutral connections:		If you <u>CANNOT</u> extend/replace the electrical box behind the wall:		
seeTouch Keypad	Sunnata Keypad	Pico Remote Control and Wallplate Bracket		
			and 	
Caséta Wireless		PJ2-* and PICO-WBX-ADAPT		
RadioRA 2	RRD-W			
RadioRA 3	RRD-W			RRST-W
HomeWorks	HQRD-W			HRST-W

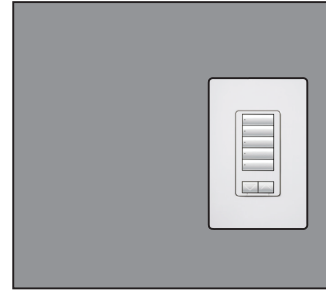
Larger Wallplate      2-Gang: CW-2/SC-2    |    3-Gang: CW-3/SC-3    |    4-Gang: CW-4/SC-4

Installation		<p>Before installing the new wallplate, attach the wallplate bracket to the new location of the wallplate.</p> <p>Attach the wallplate to the group of existing dimmers/switches and attach the Pico remote control to the wallplate bracket.</p> 
--------------	---	---

## Replacing a Light Switch with a Keypad in a Single-Pole Circuit

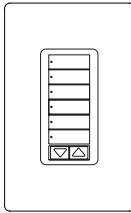
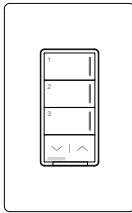
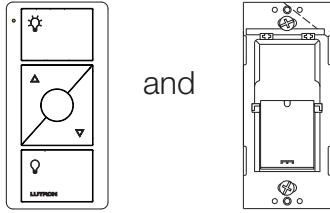


Single-Pole Light Switch

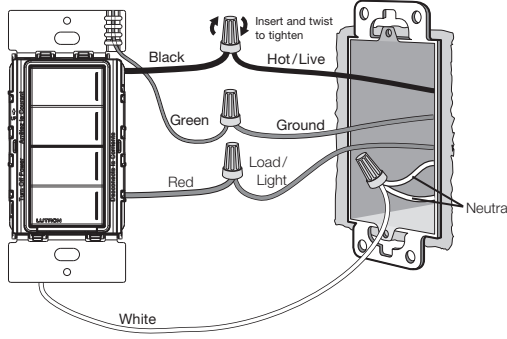
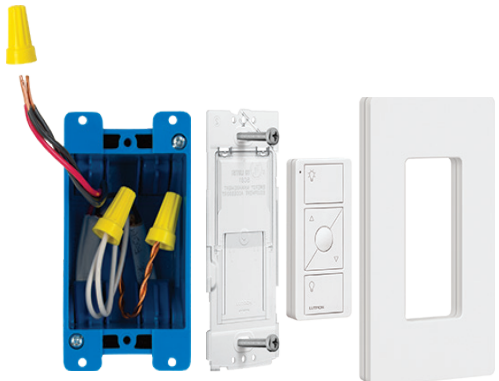


Replaced by a Keypad

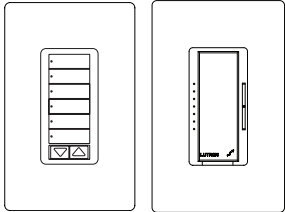
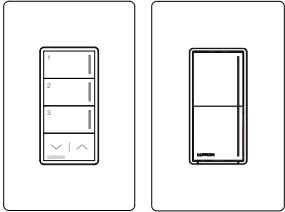
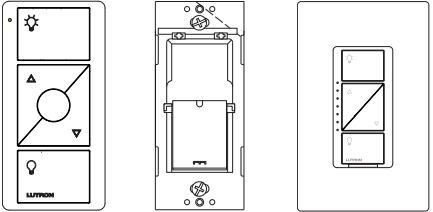
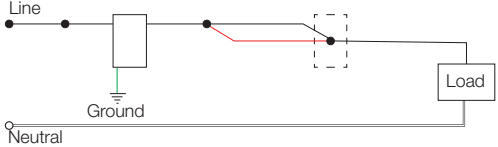
If the electrical box has access to both the hot and neutral connections (120 V~):	If a neutral connection is <u>NOT</u> available where you want the keypad:
--	--

seeTouch Hybrid Keypad 	Sunnata Hybrid Keypad 	Pico Remote Control and Wallplate Bracket 
---	--	--

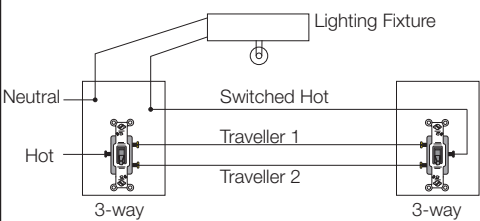
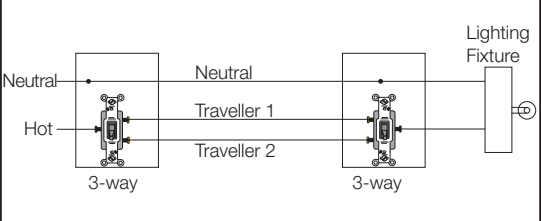
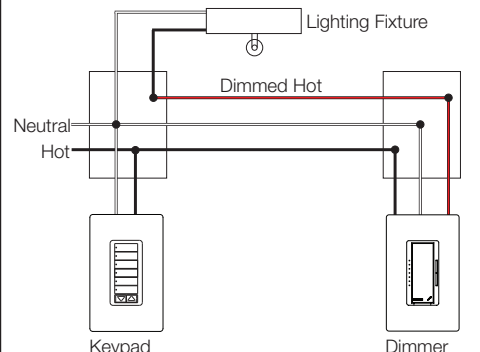
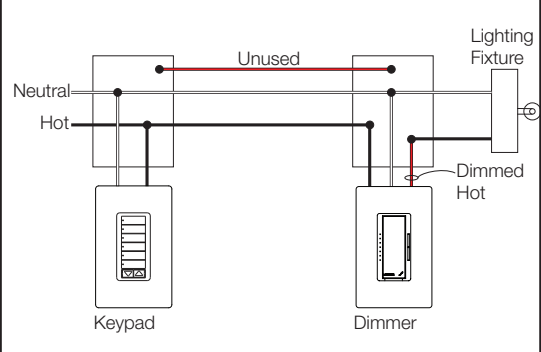
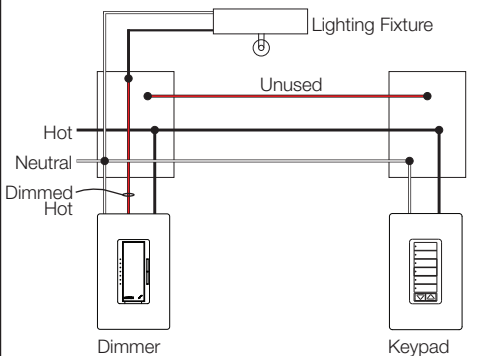
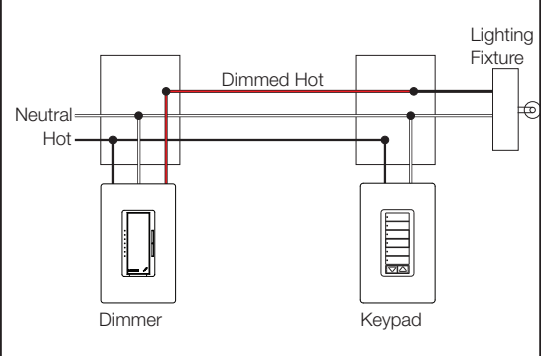
Caséta Wireless			
RadioRA 2	RRD-HN		PJ2- <sup>*</sup> and PICO-WBX-ADAPT
RadioRA 3	RRD-HN	RRST-HN	
HomeWorks	HQRD-HN	HRST-HN	
Wallplate	CW-1- <sup>*</sup> or SC-1- <sup>*</sup>		CW-1- <sup>*</sup> or SC-1- <sup>*</sup>

Installation  See product installation instructions for full details.	Replace the light switch with the hybrid keypad. Connect the hybrid keypad's white wire to the neutral wire. 	Remove the light switch, connect the hot and switched-hot wires together with a wire nut, install the wallplate bracket, attach the Pico remote control and the wallplate. 
---	--	---

## Replacing Light Switches with a Keypad in a 3-Way/4-Way Circuit

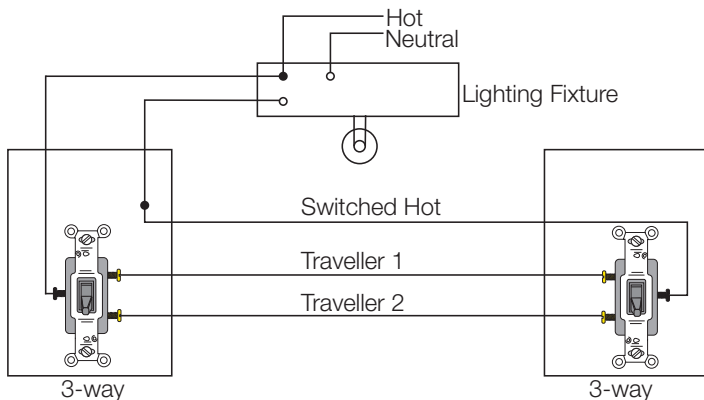
	If 120 V~ hot and neutral connections are available where you want the keypad:		If hot and neutral connections are <u>NOT</u> available where you want the keypad:
	see Touch Keypad and Dimmer 	Sunnata Keypad and Dimmer 	Pico Remote Control, Wallplate Bracket, and Dimmer 
Caséta Wireless			Pico: PJ2 Adapter: PICO-WBX-ADAPT Dimmer: PD-6WCL
RadioRA 2	Keypad: RRD-W Dimmer: RRD-PRO		Pico: PJ2 Adapter: PICO-WBX-ADAPT Dimmer: RRD-PRO
RadioRA 3	Keypad: RRD-W Dimmer: RRD-PRO	Keypad: RRST-W Dimmer: RRST-PRO-N	Pico: PJ2 Adapter: PICO-WBX-ADAPT Dimmer: RRST-PRO-N or RRD-PRO
HomeWorks	Keypad: HQRD-W Dimmer: HQRD-PRO	Keypad: HRST-W Dimmer: HRST-PRO-N	Pico: PJ2 Adapter: PICO-WBX-ADAPT Dimmer: HRST-PRO-N or HQRD-PRO
Installation	See next page.		

## Replacing Light Switches with a Keypad in a 3-Way/4-Way Circuit (continued)

	Incoming 120 V~ power and outgoing lighting load connections are in the same 3-way location:	Incoming 120 V~ power is at one 3-way location and the outgoing lighting load connection is at the other 3-way location:
<p>Example of the Existing Wiring:</p>		
<p>Option A:</p> <ul style="list-style-type: none"> <li>Keypad on the line side of the circuit</li> <li>Dimmer at the other location</li> </ul>		
<p>Option B:</p> <ul style="list-style-type: none"> <li>Keypad on the load side of the circuit</li> <li>Dimmer at the other location</li> </ul>		

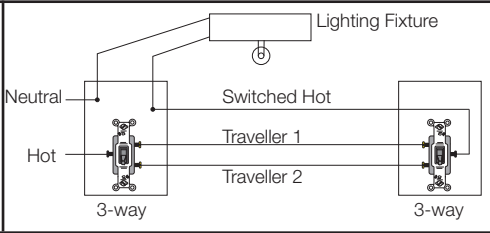
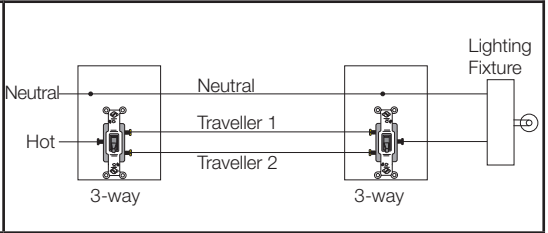
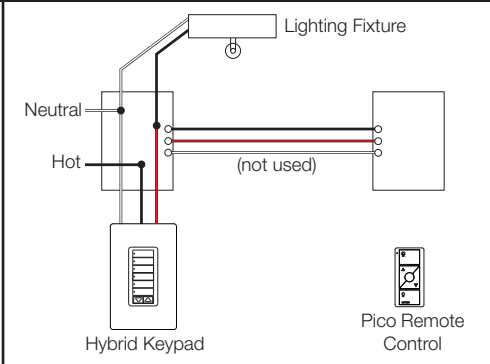
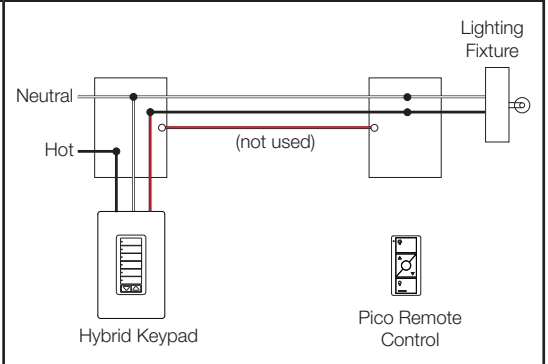
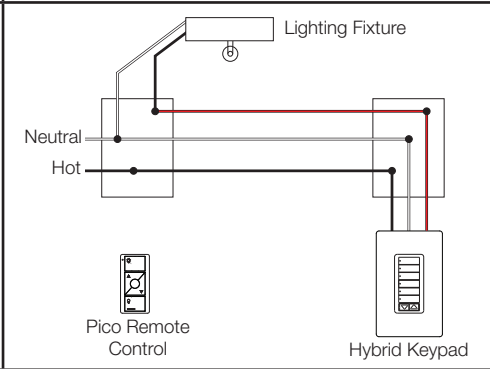
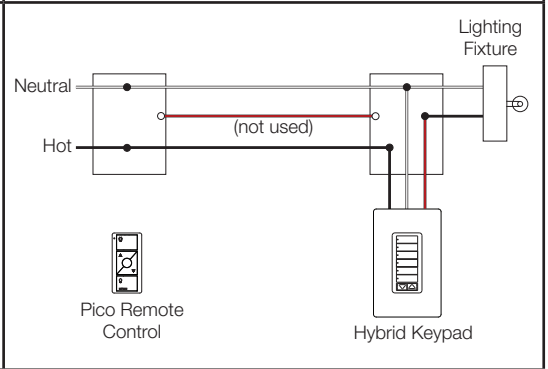
The examples shown here are for educational purposes only. Actual wire colors and connection methods may differ from what is shown here. Consult the product's installation instructions for full details.

NOTE: If the incoming 120 V~ power is run directly to the fixture, a wired keypad will NOT work and you must use the Pico remote control option.



## How to Use a Single-Pole, Hybrid Keypad in a 3-Way Application (using a Pico Remote Control)

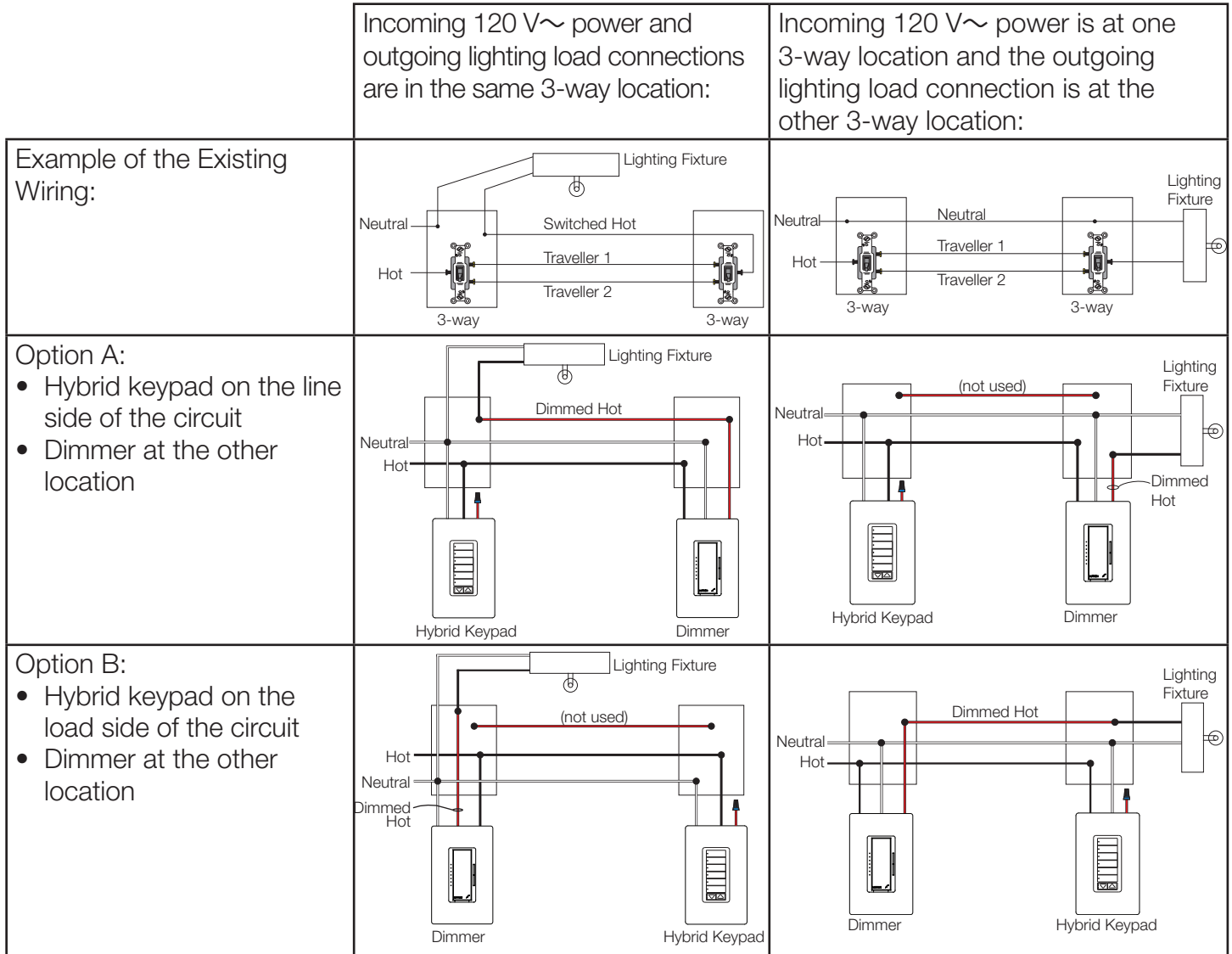
The hybrid keypad acts like a single-pole dimmer/keypad and a Pico remote control is added to the other 3-way location without being connected to the wiring.

Example of the Existing Wiring:	Incoming 120 V~ power and outgoing lighting load connections are in the same 3-way location:	Incoming 120 V~ power is at one 3-way location and the outgoing lighting load connection is at the other 3-way location:
		
<p>Option A:</p> <ul style="list-style-type: none"> <li>Hybrid keypad on the line side of the circuit</li> <li>Pico remote control at the other location</li> </ul>		
<p>Option B:</p> <ul style="list-style-type: none"> <li>Hybrid keypad on the load side of the circuit</li> <li>Pico remote control at the other location</li> </ul>		

## How to Use a Single-Pole, Hybrid Keypad in a 3-Way Application (using a Dimmer)

The hybrid keypad is rewired to act like a standard keypad (the internal dimmer is not used) and a dimmer is used in the other 3-way location.

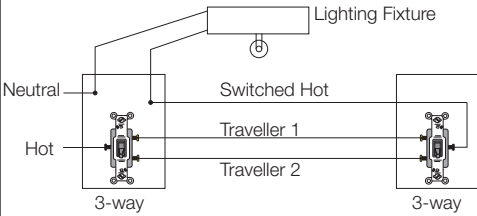
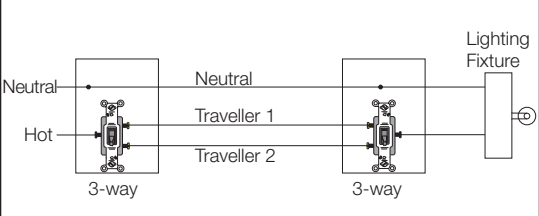
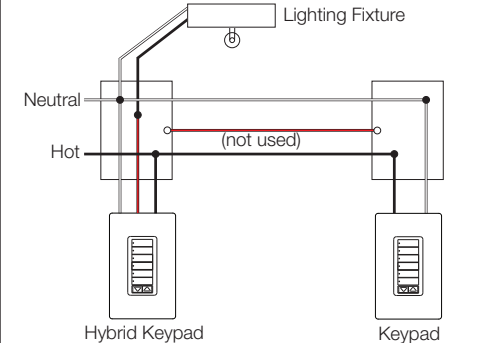
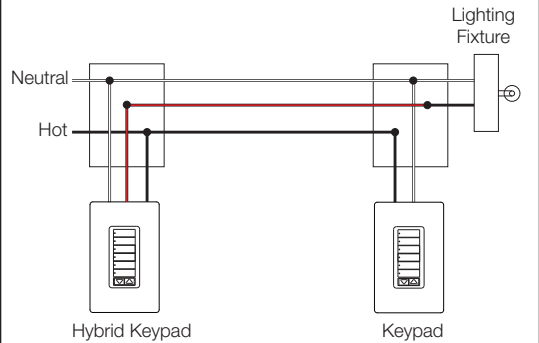
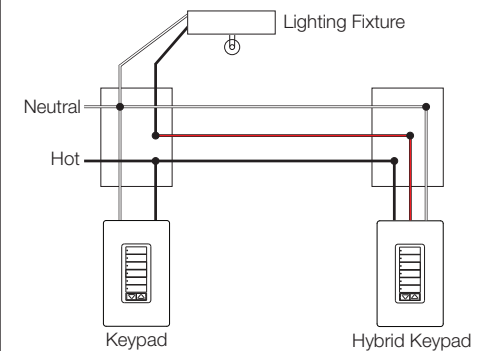
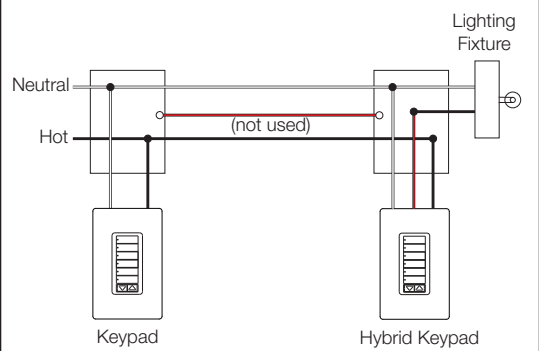
**NOTE:** This solution is **NOT** recommended. The hybrid keypad will appear as a lighting load in the Lutron App or third-party integration despite the device acting only as a keypad and not controlling the actual load in this application. This could cause confusion for the end user.





## How to Use a Single-Pole, Hybrid Keypad in a 3-Way Application (using a -W Keypad)

The hybrid keypad acts like a single-pole dimmer/keypad and power is run to the other 3-way location to operate a standard keypad.

	Incoming 120 V~ power and outgoing lighting load connections are in the same 3-way location:	Incoming 120 V~ power is at one 3-way location and the outgoing lighting load connection is at the other 3-way location:
<p>Example of the Existing Wiring:</p>		
<p>Option A:</p> <ul style="list-style-type: none"> <li>Hybrid keypad on the line side of the circuit</li> <li>Keypad at the other location</li> </ul>		
<p>Option B:</p> <ul style="list-style-type: none"> <li>Hybrid keypad on the load side of the circuit</li> <li>Keypad at the other location</li> </ul>		

Lutron, Claro, Pico, seeTouch, Caséta, HomeWorks, RadioRA, RadioRA 2, RadioRA 3, and Sunnata are trademarks or registered trademarks of Lutron Electronics Co., Inc. in the US and/or other countries.

---

## Lutron Contact Numbers

### WORLD HEADQUARTERS

**USA**  
Lutron Electronics Co., Inc.  
7200 Suter Road  
Coopersburg, PA 18036-1299  
TEL: +1.610.282.3800  
FAX: +1.610.282.1243  
support@lutron.com  
www.lutron.com/support

**North & South America  
Customer Assistance**  
**USA, Canada, Caribbean:**  
1.844.LUTRON1 (1.844.588.7661)  
**Mexico:**  
+1.888.235.2910  
**Central/South America:**  
+1.610.282.6701

### UK AND EUROPE:

Lutron EA Limited  
125 Finsbury Pavement  
4th floor, London EC2A 1NQ  
United Kingdom  
TEL: +44.(0)20.7702.0657  
FAX: +44.(0)20.7480.6899  
FREEPHONE (UK): 0800.282.107  
Technical Support: +44.(0)20.7680.4481  
lutronlondon@lutron.com

### ASIA:

Lutron GL Ltd.  
390 Havelock Road  
#07-04 King's Centre  
Singapore 169662  
TEL: +65.6220.4666  
FAX: +65.6220.4333  
Technical Support: 800.120.4491  
lutronsea@lutron.com

### Asia Technical Hotlines

Northern China: 10.800.712.1536  
Southern China: 10.800.120.1536  
Hong Kong: 800.901.849  
Indonesia: 001.803.011.3994  
Japan: +81.3.5575.8411  
Macau: 0800.401  
Taiwan: 00.801.137.737  
Thailand: 001.800.120.665853  
Other Countries: +65.6220.4666