



Hi-lume® A-Series LED Drivers with OSRAM® PrevaLED Cube LED Modules

Lutron and OSRAM have worked together to confirm compatibility of the Lutron® Hi-lume® A-Series LED driver and the OSRAM® PrevaLED Cube LED modules. Inherent benefits of using the A-Series driver with OSRAM® LED modules include:

- The Lutron® A-Series driver family enables the same nominal light output and quality as the Osram® driver.
- The A-Series driver enables 1% dimming.
- The A-Series driver guarantees proper performance with all Lutron-compatible dimmers and controls, including EcoSystem®, 3-wire, and 2-wire forward-phase control. See driver specification for a complete list of compatible dimmer and control models.

Design comparisons between a Lutron® driver and an Osram® LED driver

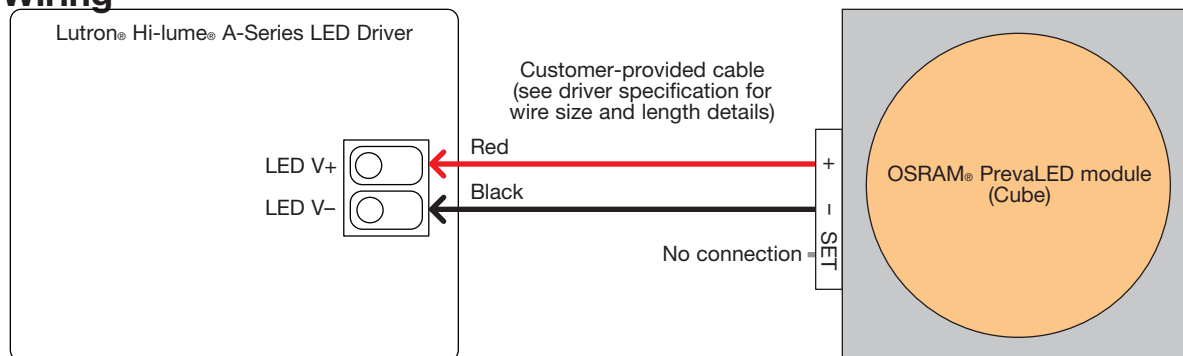
Module performance

Using the appropriate Lutron® driver will provide identical performance from the OSRAM® LED module (delivered lumens, efficacy, color temperature, etc.) as compared to the appropriate OSRAM® driver. A Lutron® driver will provide dimming via constant-current reduction down to 1% of maximum light output.

Thermal performance

The power dissipation and thermal performance of the OSRAM® LED module will be the same when either brand driver is used because the module is being driven at the same power level and it will perform at the same efficacy level. The Lutron® driver does have internal protection to prevent overheating of the driver itself (similar to the OSRAM® driver), allowing it to decrease delivered power should overheating conditions occur under abnormal conditions. Proper fixture design and application usage should ensure that the modules and drivers are operated within their published design limits.

Wiring



Driver and module pairing

To ensure proper performance of the LED module and correct module power and light output, the appropriate Lutron® driver must be paired with the selected OSRAM® module at design time. Replacing one module with another of a different part number may require a different Lutron® driver. The appropriate Lutron® driver may be selected for any OSRAM® module based on the table below.

As a convenience to designers, the OSRAM® modules are provided with two compatible Lutron® driver model numbers: the first type of compatible driver, for “Matching Lumens,” provides an exact driver match, ensuring that the module will deliver the specified number of lumens (1100, 2000, or 3000 lumens); the second type of compatible driver, for “Limiting SKUs,” provides designers with a more restricted number of driver model numbers, allowing simplified design and inventory management. A variation in nominal lumen output should be expected from OSRAM® modules when using a driver from the “Limiting SKUs” list; this is in addition to the variation listed in the module specification sheet.

Lutron® Drivers for OSRAM® PrevaLED Cube Modules

Module Ordering Abbreviation	Module Item Number	Lutron® Driver Part Number ¹		Lumen Variation from Nominal For Limiting SKUs Driver ²
		For Matching Lumens	For Limiting SKUs	
PL-CUBE-1100-827-0.35A-G1	72683	LxxA4U1Uyy-EA036	LxxA4U1Uyy-EA035	-1%
PL-CUBE-1100-830-0.35A-G1	72684	LxxA4U1Uyy-EA033	LxxA4U1Uyy-EA035	8%
PL-CUBE-1100-835-0.35A-G1	72685	LxxA4U1Uyy-EA031	LxxA4U1Uyy-EA035	14%
PL-CUBE-1100-840-0.35A-G1	72686	LxxA4U1Uyy-EA030	LxxA4U1Uyy-EA035	17%
PL-CUBE-2000-827-0.5A-G1	72687	LxxA4U1Uyy-FA057	LxxA4U1Uyy-EA050	-10%
PL-CUBE-2000-830-0.5A-G1	72688	LxxA4U1Uyy-FA053	LxxA4U1Uyy-EA050	-3%
PL-CUBE-2000-835-0.5A-G1	72689	LxxA4U1Uyy-EA050	LxxA4U1Uyy-EA050	0%
PL-CUBE-2000-840-0.5A-G1	72690	LxxA4U1Uyy-EA049	LxxA4U1Uyy-EA050	5%
PL-CUBE-3000-827-0.7A-G1	72691	LxxA4U1Uyy-FA080	LxxA4U1Uyy-FA070	-10%
PL-CUBE-3000-830-0.7A-G1	72692	LxxA4U1Uyy-FA075	LxxA4U1Uyy-FA070	-3%
PL-CUBE-3000-835-0.7A-G1	72693	LxxA4U1Uyy-FA070	LxxA4U1Uyy-FA070	0%
PL-CUBE-3000-840-0.7A-G1	72694	LxxA4U1Uyy-FA068	LxxA4U1Uyy-FA070	5%

¹ In the Lutron® driver model number, “xx” represents control input type (3D for 3-wire and EcoSystem®; TE for 2-wire phase control with neutral); and “yy” represents enclosure type (KS for compact case with studs, KN for compact case without studs, and MN for linear case); any combination of control input and enclosure type may be used. See Lutron® Hi-lume® A-Series spec sheet at www.lutron.com/hilumeled for details.

² Lumen Variation from Nominal provides the approximate lumen deviation from the module’s typical lumen output of 1100, 2000, or 3000 lumens, if the driver model number is chosen from the “Driver Part Number For Limiting SKUs” column.

Electrical Characteristics

The following information has been obtained from the respective product data sheets and is provided for reference only. Current output of the Lutron® driver at high-end will always be within 5% of the nominal output. Always consult data sheets for the most up-to-date information.

Module Ordering Abbreviation	Module Item Number	LED Module Max Rated Current	Lutron Driver Nominal Current Output	
			For Matching Lumens	For Limiting SKUs
PL-CUBE-1100-827-0.35A-G1	72683	610 mA	360 mA	350 mA
PL-CUBE-1100-830-0.35A-G1	72684	610 mA	350 mA	350 mA
PL-CUBE-1100-835-0.35A-G1	72685	610 mA	310 mA	350 mA
PL-CUBE-1100-840-0.35A-G1	72686	610 mA	300 mA	350 mA
PL-CUBE-2000-827-0.5A-G1	72687	760 mA	570 mA	500 mA
PL-CUBE-2000-830-0.5A-G1	72688	760 mA	530 mA	500 mA
PL-CUBE-2000-835-0.5A-G1	72689	760 mA	500 mA	500 mA
PL-CUBE-2000-840-0.5A-G1	72690	760 mA	490 mA	500 mA
PL-CUBE-3000-827-0.7A-G1	72691	1080 mA	800 mA	700 mA
PL-CUBE-3000-830-0.7A-G1	72692	1080 mA	750 mA	700 mA
PL-CUBE-3000-835-0.7A-G1	72693	1080 mA	700 mA	700 mA
PL-CUBE-3000-840-0.7A-G1	72694	1080 mA	680 mA	700 mA

Support

The combination of Lutron® drivers and OSRAM® LED modules has been qualified by each manufacturer and, therefore, is supported by both Lutron and OSRAM, respectively. For product support and warranty information regarding either Lutron® or OSRAM® products, see the respective manufacturer's website for complete details.

Lutron, EcoSystem, and Hi-lume are registered trademarks of Lutron Electronics Co., Inc.

OSRAM is a registered trademark of OSRAM Sylvania, Inc.

Lutron Contact Numbers

WORLD HEADQUARTERS

USA

Lutron Electronics Co., Inc.
7200 Suter Road
Coopersburg, PA 18036-1299

TEL: +1.610.282.3800

FAX: +1.610.282.1243

Toll-Free: 1.888.LUTRON1

Technical Support: 1.800.523.9466

intsales@lutron.com

www.lutron.com/hilumeled

North and South America Technical Hotlines

USA, Canada, Caribbean: 1.800.523.9466

Mexico: +1.888.235.2910

Central/South America: +1.610.282.6701

OSRAM Contact Numbers

OSRAM Sylvania, Inc.

100 Endicott Street
Danvers, MA 01923

TEL: 800.LIGHTBULB

www.osram.com/LED-systems