

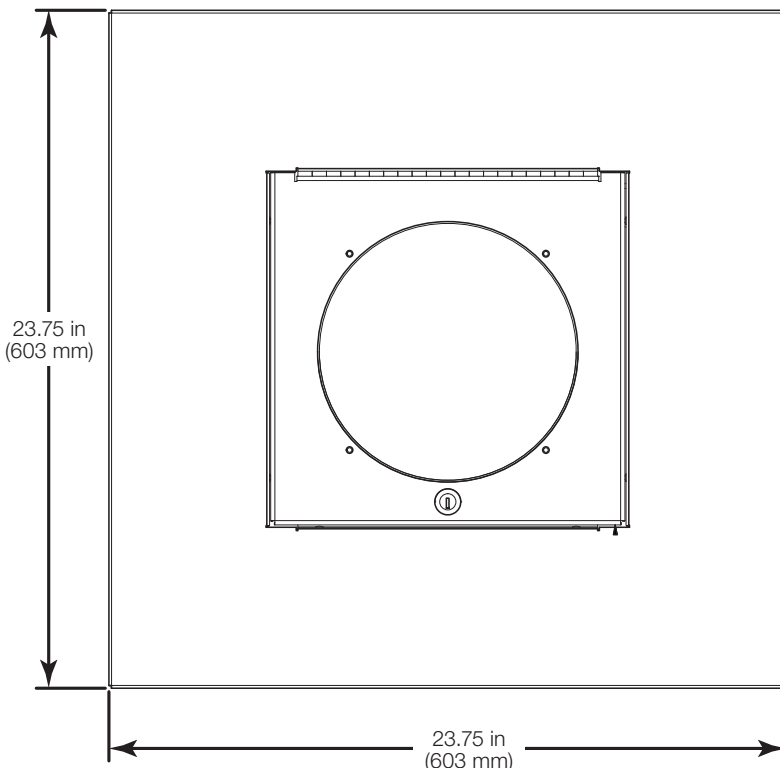
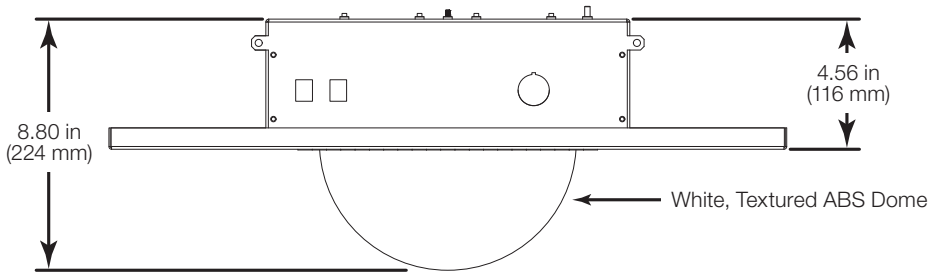
### Installing a Vive Hub Inside a Protective Dome Enclosure

In some applications it is desirable for a Vive hub to be installed inside a protective enclosure. Mounting inside an enclosure may be required in a Chicago Plenum ceiling and may be desired in applications that require tamper resistance such as schools and high security areas. The following application note describes installing the Vive hub inside a 23.75 in x 23.75 in (603 mm x 603 mm) suspended ceiling enclosure with an exposed ABS hemisphere protruding below the ceiling plane. This installation method provides a clean installation with a protected and locked enclosure while maintaining the full Lutron Vive system performance. The Lutron Vive hub with surface-mount adapter (HJS-XX-SM) is attached to a 1.5 in to 2.25 in (38 mm to 57 mm) deep junction box centered within an Oberon 1052-Dome ceiling enclosure.

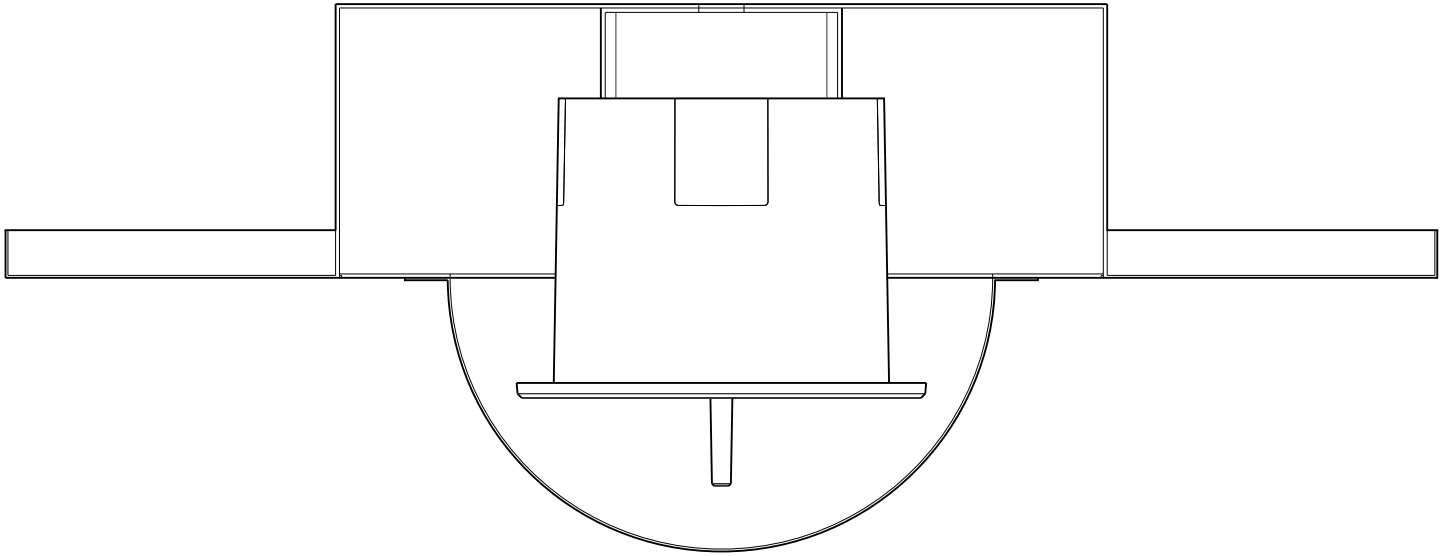
**Manufacturer:** Oberon

**Model number:** 1052-DOME for generic Plenum installation  
1052-DOME-CCEA for Chicago Plenum installation

**Step 1:** Mount a 1.5 in to 2.25 in (38 mm to 57 mm) deep square junction box centered inside the enclosure.



**Step 2:** Mount the Vive hub surface-mount adapter and hub to the junction box following the Vive hub installation instructions. The resulting mounting should resemble the assembly shown below.



**Step 3:** Mount the Oberon kit following all 1052-DOME installation instructions and secure the cover using provided lock and key.

Lutron and Vive are trademarks of Lutron Electronics Co., Inc., registered in the U.S. and other countries.

---

## Lutron Contact Numbers

### WORLD HEADQUARTERS

#### USA

Lutron Electronics Co., Inc.  
7200 Suter Road  
Coopersburg, PA 18036-1299  
TEL: +1.610.282.3800  
FAX: +1.610.282.1243  
support@lutron.com  
www.lutron.com/support

### North & South America

#### Customer Assistance

#### USA, Canada, Caribbean:

1.844.LUTRON1 (1.844.588.7661)

#### Mexico:

+1.888.235.2910

#### Central/South America:

+1.610.282.6701

### EUROPEAN HEADQUARTERS

#### United Kingdom

Lutron EA Ltd.  
125 Finsbury Pavement, 4th floor  
London, EC2A 1NQ,  
United Kingdom  
TEL: +44.(0)20.7702.0657  
FAX: +44.(0)20.7480.6899  
FREEPHONE (UK): 0800.282.107  
Technical Support: +44.(0)20.7680.4481  
lutronlondon@lutron.com

### ASIAN HEADQUARTERS

#### Singapore

#### Lutron GL Ltd.

390 Havelock Road  
#07-04 King's Centre  
Singapore 169662  
TEL: +65.6220.4666  
FAX: +65.6220.4333  
Technical Support: 800.120.4491  
lutronsea@lutron.com

### Asia Technical Hotlines

Northern China: 10.800.712.1536

Southern China: 10.800.120.1536

Hong Kong: 800.901.849

Indonesia: 001.803.011.3994

Japan: +81.3.5575.8411

Macau: 0800.401

Taiwan: 00.801.137.737

Thailand: 001.800.120.665853

Other Countries: +65.6220.4666