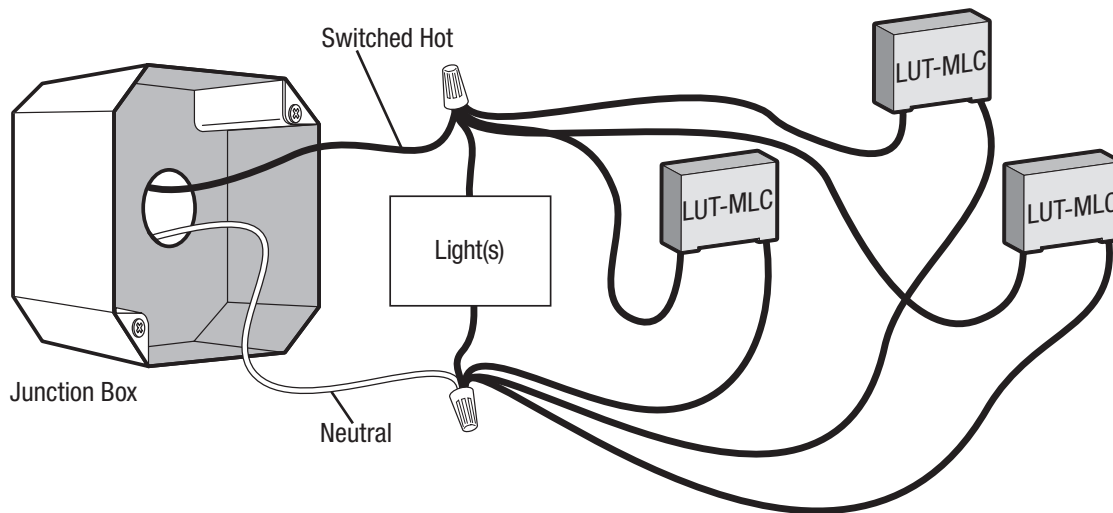


### Controlling Type B TLED bulbs

Type B TLED bulbs can be directly driven by line voltage without the need for any ballast or driver. These bulbs are ideal for retrofit applications where simple switching of the lighting loads is all that is required. Lutron offers multiple devices that can be used with these bulbs. Due to the designs of many of these types of bulbs, special precautions may be needed to ensure proper compatability with Lutron devices. Issues may occur even when the total load meets the minimum load requirement called out for the device and may manifest itself as erratic turn-on behavior of the LED bulb.

Product	Special Precautions
PD-5S-DV	May require one (1) LUT-MLC
MRF2S-8S-DV, RRD-8S-DV, HQRD-8S-DV	May require up to three (3) LUT-MLC



**Figure 1:** LUT-MLC installed across switched hot/neutral (shown in a junction box) can be installed in any electrical enclosure at the control or at the fixture.

These Lutron devices do **NOT** require a LUT-MLC to be used with Type B TLED bulbs:

Product
RRD-8ANS-xx
RD-RS-xx
RRST-8ANS-xx
ST-6ANS-xx
ST-AS-xx
MRF2S-6ANS-xx
MRF2S-8SD010-xx
MRF2S-8SDV010-xx
MRF2S-8SS-xx, MRF2S-8SSV-xx
MRF2-6ANS-xx
MRF2-8ANS-xx
RMJS-16R-DV-B, RMJS-16R-DV-B-EM
RMJS-16RCC01DV-B
RMJS-20R-DV-B
RMJS-20RCC01DV-B
RMJS-5R-347, RMJS-5R-347-EM
RMJS-5R-DV-B
RMJS-5RCC01-DV-B
RMJS-5T-347, RMJS-5T-347-EM
RMJS-8T-DV-B, RMJS-8T-DB-B-EM
RMJS-8TN-DV-B

Lutron is a trademark or registered trademark of Lutron Electronics Co., Inc. in the US and/or other countries.

---

## Lutron Contact Numbers

### WORLD HEADQUARTERS

**USA**  
Lutron Electronics Co., Inc.  
7200 Suter Road  
Coopersburg, PA 18036-1299  
TEL: +1.610.282.3800  
FAX: +1.610.282.1243  
support@lutron.com  
www.lutron.com/support

**North & South America  
Customer Assistance**  
**USA, Canada, Caribbean:**  
1.844.LUTRON1 (1.844.588.7661)  
**Mexico:**  
+1.888.235.2910  
**Central/South America:**  
+1.610.282.6701

### UK AND EUROPE:

Lutron EA Limited  
125 Finsbury Pavement  
4th floor, London EC2A 1NQ  
United Kingdom  
TEL: +44.(0)20.7702.0657  
FAX: +44.(0)20.7480.6899  
FREEPHONE (UK): 0800.282.107  
Technical Support: +44.(0)20.7680.4481  
lutronlondon@lutron.com

### ASIA:

Lutron GL Ltd.  
390 Havelock Road  
#07-04 King's Centre  
Singapore 169662  
TEL: +65.6220.4666  
FAX: +65.6220.4333  
Technical Support: 800.120.4491  
lutronsea@lutron.com

### Asia Technical Hotlines

Northern China: 10.800.712.1536  
Southern China: 10.800.120.1536  
Hong Kong: 800.901.849  
Indonesia: 001.803.011.3994  
Japan: +81.3.5575.8411  
Macau: 0800.401  
Taiwan: 00.801.137.737  
Thailand: 001.800.120.665853  
Other Countries: +65.6220.4666