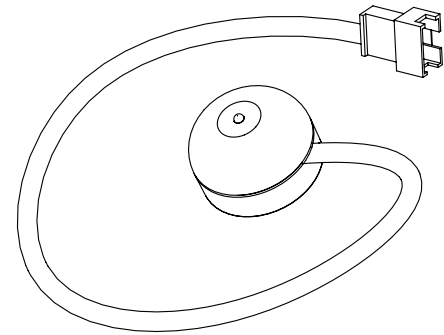


QS Infrared Eye For Shades and Lights

The *QS IR Eye* (QSE-IR-WH) is a flexible and easy to use device that allows the user to control shades/draperies and lighting via infrared handheld remote controls. The *IR Eye* is compatible with Sivoia® QS shading devices and *Grafik Eye® QS, *Quantum™ and *Energi Savr Node QS™ lighting devices. The IR Eye can be plugged directly into a shading device or wired into the QS communication link. A flexible wiring harness allows the cable to exit the back or the side of the device to adapt to a variety of mounting applications.

(* Available 3rd quarter 2010)



QS IR Eye

Features

- Provides IR control of the Sivoia QS Shading system and Grafik Eye QS, Quantum, and Energi Savr Node QS lighting systems, via all Lutron handheld remote controls
- Provides IR integration via third party IR remotes
- Integrates shading and lighting devices via a single *IR Eye*
- Wiring flexibility allows the *IR Eye* to plug directly into shading devices or wire into the QS link via the included harness adapter
- Wiring harness can be easily configured to exit the side or out the back to accommodate a variety of mounting options
- Self adhesive mounting disc allows the *IR Eye* to be securely mounted to any surface
- *IR Eye* is simple to program and reconfigure as the needs of the space change
- LED provides feedback during programming and troubleshooting
- Available in white

<p>Job Name:</p> <p>Job Number:</p>	<p>Model Numbers:</p>
--	------------------------------

Specifications

Standards

- CE

Power

- Low voltage PELV (class2: USA)
Operating voltage 24 V = 20 mA
- Consumes 1 power draw unit on the QS link

Key Design Features

- Versatile mounting configurations. Can be mounted with the wire harness exiting the side or the back
- Self adhesive mounting disc provided for mounting to any surface
- Operating range: 30 ft (9m) line of sight

Third Party Integration

Shading

- Each *IR Eye* Can be programmed to control up to 32 shade groups
- Any one shade can be a member of up to 3 shade groups
- Each shade group can have up to 3 presets (Three presets accessible using SVQ-3PIT or third party remote)

Lighting

- Provides access to 16 scenes (Plus off) in a Grafik Eye system
- Provide access to zone control in a GRAFIK Eye QS system. Can turn one or more zones on or off, raise/lower zones, and go to a user defined level
- Provides access to 16 areas in an Energi Savr Node QS System

System Communication and Capacity

- Sivoia QS Shading Systems
- * Grafik Eye QS Lighting Systems
- * Energi Savr Node QS Lighting Sytems
- * Quantum Lighting Systems
- Counts as 1 device on the QS link
(* Available 3rd Quarter 2010)

Environment

- Ambient operating temperature:
32° – 104° F (0° – 40° C)
- For indoor use only

Warranty

- 1 year limited warranty

Compatible Lutron Infared Handheld Remotes

Lighting Remotes

MIR-ITFS
MIR-ITFS-LF
C-FLRC
GRX-IT
GRX-8IT

Lighting and Shade/Drapery Remotes

SVIT-GRX-SH
SVIT-GRX-DR
SVIT-MIR-SH
SVIT-MIR-DR

Shade/Drapery Remotes

SVIT
SVIT-SH
SVIT-DR
SVQ-3PIT

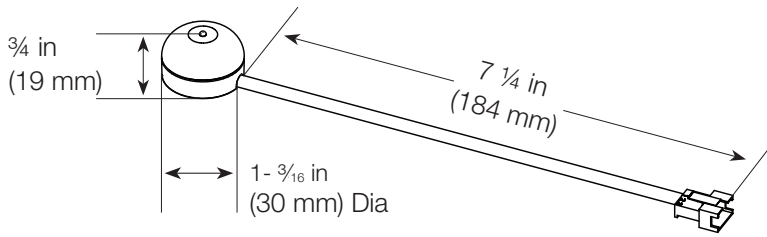
Dual Shade/Drapery Remotes

SVIT-SH-SH
SVIT-SH-DR
SVIT-SR-BL
SVIT-SC-BL

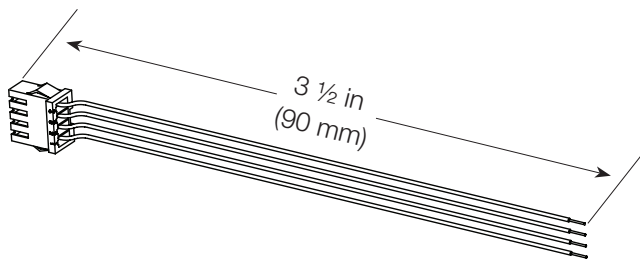
<p>Job Name:</p> <p>Job Number:</p>	<p>Model Numbers:</p>
--	-----------------------

Dimensions

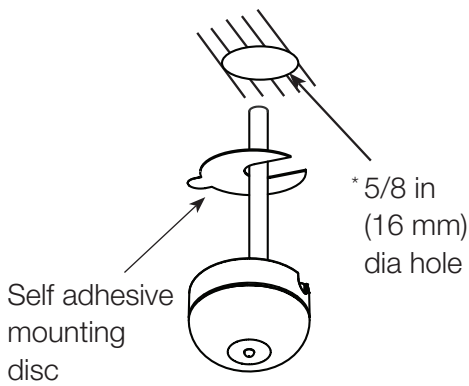
IR Eye



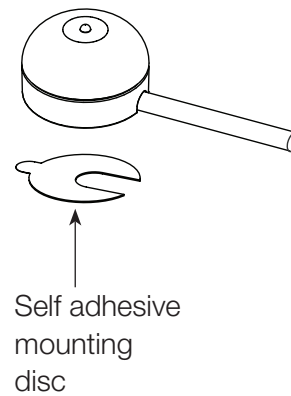
Adapter harness



Back Exit Mount



Side Exit Mount



Job Name:	Model Numbers:
Job Number:	