

Lutron Wood Blinds

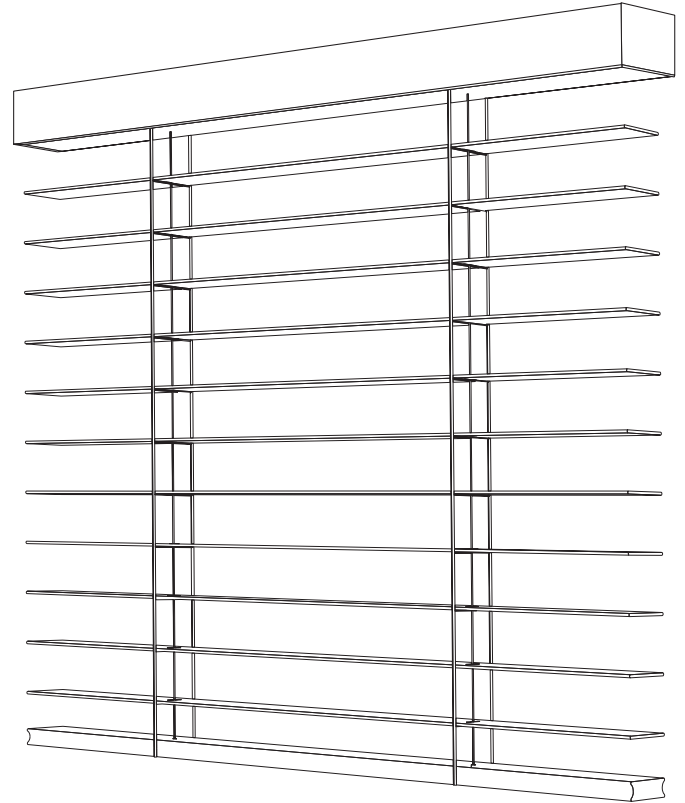
Lutron Sivoia QS Wood Blinds are operated by quiet, precision control drives. The drive is housed in the headrail and provides independent control of the lift and tilt. Lift and tilt positions can be stored as a preset and can be recalled with the touch of a button.

Aesthetics

- A wide variety of slat finishes are available; paints and stains
- Three optional valance styles are available
- Aluminum headrail provides clean minimalist look for applications without a valance
- Low-profile mounting brackets and blind drive controls minimize light gap at the top of the headrail

Design

- Independent lift control adjusts height of blinds and provides access to the window without affecting tilt
- Tilt can be adjusted independent of lift to vary the privacy level at any blind position
- Blinds go to a pre-determined height and tilt angle when a preset is recalled
- Multiple presets can be defined for the same blind or group of blinds
- Compatible with Sivoia QS and Sivoia QS Wireless systems
- Wood blind components designed for ultra-quiet operation (will not exceed 44 dBA measured 3 ft (1 m) from drive unit)
- Simple installation for both inside mount and outside mount applications
- Provides maximum window coverage with the smallest possible light gaps; 1/16 in (1.6 mm) from end caps to slat ends
- Basswood slat blinds available in sizes up to 108 in (2743 mm) wide x 120 in (3048 mm) high



Lutron Wood Blind

Job Name:

Model Numbers:

Job Number:

Specifications

Safety

- Fully compliant with WCMA safety standards for corded window treatments

Power

- Operating voltage: Class 2, 35 V

Compatible Power Sources

- Individual plug-in
 - QSPS-P1-1-35V
 - QSPS-P2-1-35V
 - QSPS-P3-1-35V
- 10-Output Power Panels
 - QSPS-10PNL
 - QSPSY-10PNL
- Configurable Power Panels
 - QSPS-10PNL-NPM (with WIN-PS-5CC-R installed)
 - QSPS-30PNL-NPM (with WIN-PS-5CC-R installed)
- Individual Junction Box
 - QSPS-J-1-35V

Environment

- Temperature: 32 °F–104 °F (0 °C–40 °C)
- Humidity: 0%–90%, non-condensing

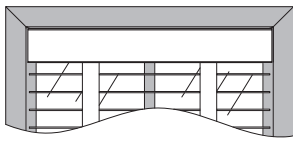
Controls

- Sivoia QS
 - seeTouch QS keypads
 - GRAFIK Eye QS
 - Pico wireless control (through QSM)
 - HomeWorks QS
 - HomeWorks systems with QSX processors
 - Quantum
 - Athena
 - myRoom Plus
 - myRoom XC
- Sivoia QS wireless (via Sivoia QS wireless receiver)
 - Pico wireless control
 - 4-group RF shade remote control
 - Caséta (Smart Hub PRO)
 - RadioRA 2
 - RA2 Select
 - RadioRA 3
 - HomeWorks QS
 - HomeWorks systems with QSX processors
 - Quantum
 - Athena
 - myRoom Plus
 - myRoom XC

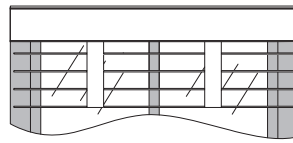
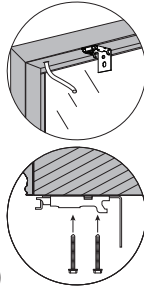
Job Name: Job Number:	Model Numbers:
--------------------------------------------	-----------------------

Mounting Options

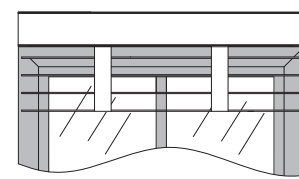
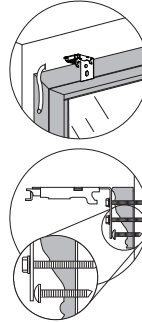
Brackets can be inside mounted, or outside mounted on the trim or above the trim.



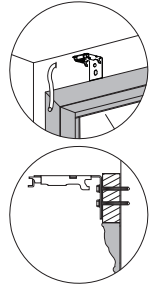
Inside mount



Outside mount
on trim

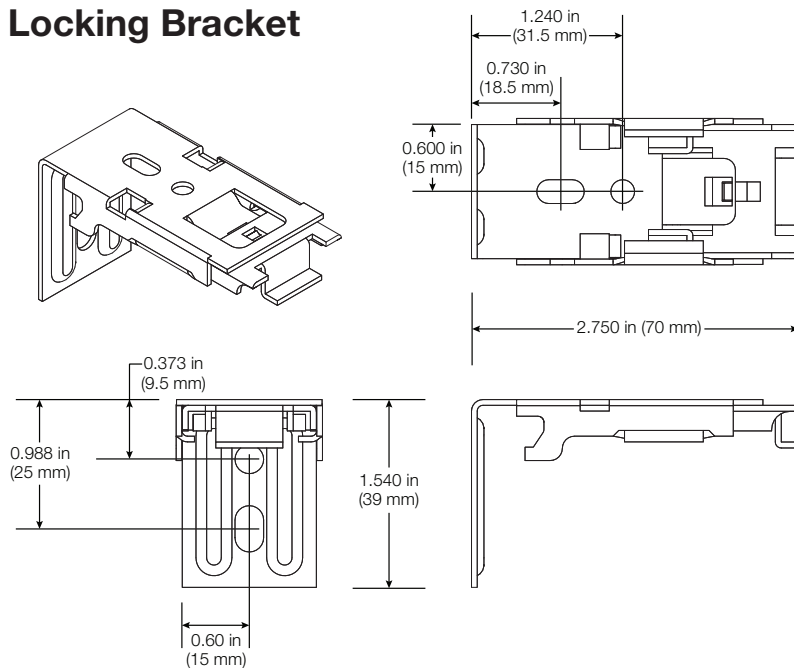


Outside mount
above trim

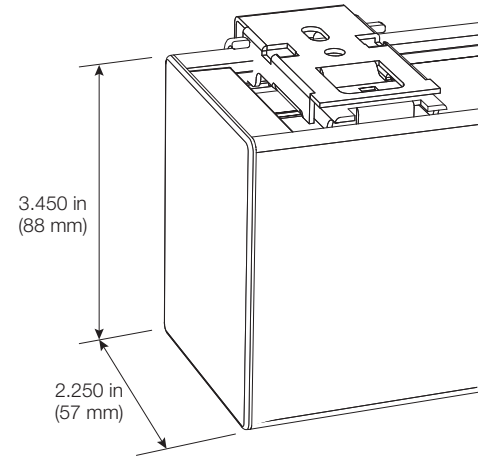


Minimum jamb depth for full recess: 2.75 in (70 mm)

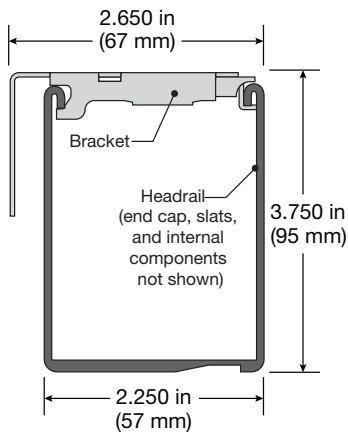
Locking Bracket



Headrail Dimensions

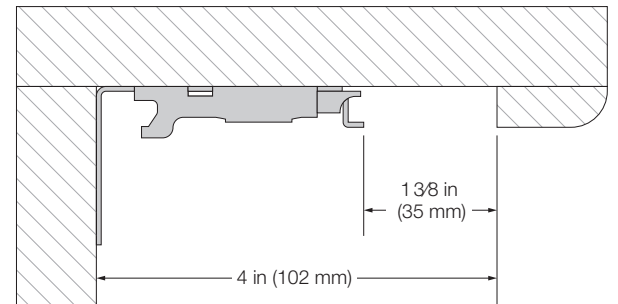


System Profile



Clearance Requirements

When installing the mounting brackets in a recess or pocket, there must be 1.375 in (35mm) clearance at the front (room side) of all brackets to allow for proper headrail-to-bracket engagement. The minimum recess or pocket depth that allows for proper clearance is 4 in (102 mm).



Job Name:	Model Numbers:
Job Number:	

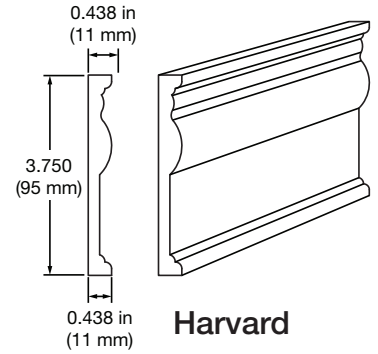
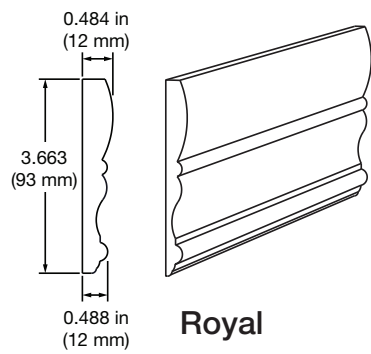
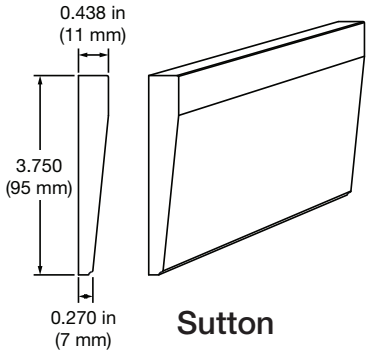
Slat Options

Basswoods - Available in a variety of stains and painted colors. Custom color matching finishes available. Contact Customer Service for details.

Valance Options

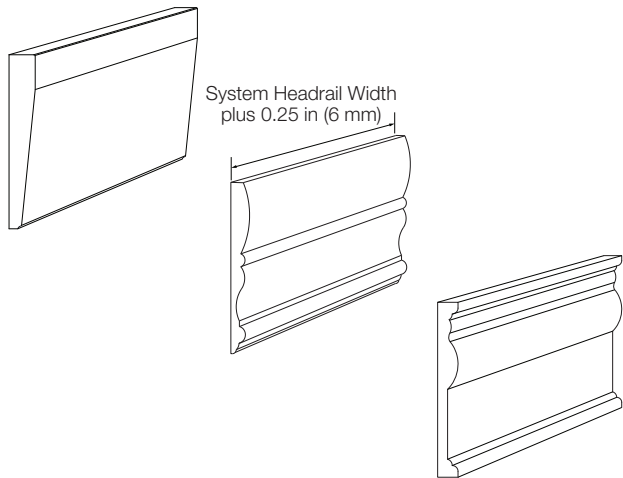
3 valance styles are available for both inside and outside mount applications.

Valance styles



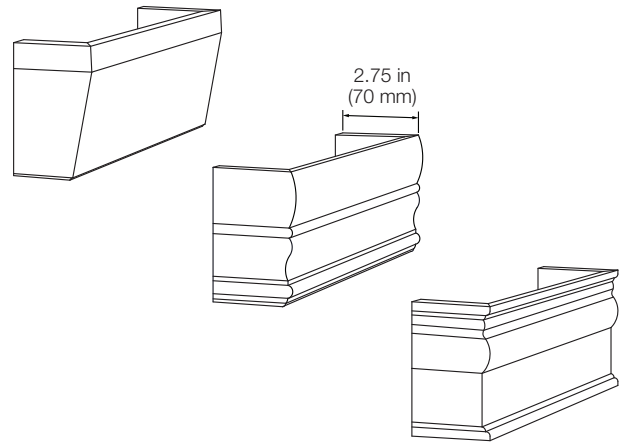
Inside Mount

Inside mount valances will be provided in a width of 0.25 in (6 mm) wider than the specified System Headrail Width to allow for mounting clearance.



Outside Mount

Outside mount valances have a standard 2.75 in (70 mm) return depth. However, the return can be specified in any dimension between 1 in (25 mm) and 10 in (254 mm), to meet the needs of the application.



Lutron, the Lutron logo, Athena, Caséta, GRAFIK Eye, HomeWorks, myRoom, Pico, Quantum, RadioRA, RadioRA 2, RA2 Select, RadioRA 3, seeTouch, and Sivoia QS are trademarks of Lutron Electronics Co. Inc., registered in the U.S. and other countries.

LUTRON SPECIFICATION SUBMITTAL		Page
Job Name:	Model Numbers:	
Job Number:		