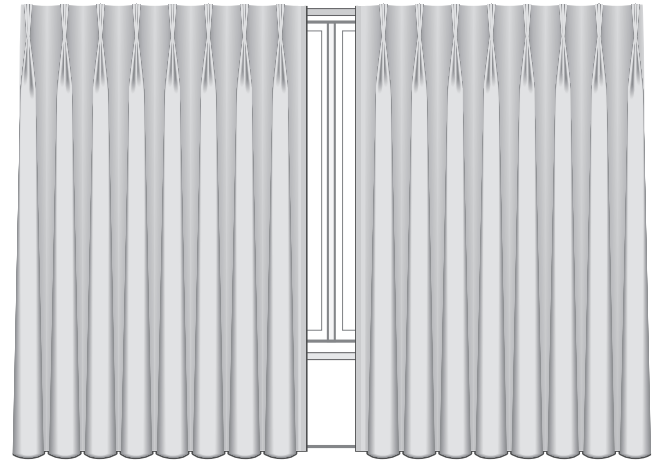


Sivoia® QS Wireless Drapery Lite System

The Sivoia® QS Wireless Drapery Lite Drapery System is an easily installed, low-cost window treatment solution designed for the residential market. The drapery can be controlled via several Lutron remote controls/keypads or the homeowner's smartphone/tablet. The drapery offers programmable stops and allows the homeowner to adjust the drapery position to any pre-determined location at the touch of a button.



Sivoia® QS Wireless Drapery Lite System

Features

- Ultra-quiet operation: system will not exceed 50 dBA measured 1 m (3 ft) from the drive
- Left, right, and center-draw options
- All drives start, move, and stop with precision
- Ceiling, recess, or wall mounting options
- Can be installed in new construction or retrofit application
- Available with white, silver, and bronze track colors
- Power failure memory for the lifetime of the product
- Decouples the drive and track into two separate components, allowing the drive to be replaced or upgraded in the field
- 24-36 V_{DC} low-voltage power
- 8 year limited warranty

Power

- Operating voltage: Low-voltage 24-36 V_{DC} power supply required
- Control system power supply offers (spike and brownout) over voltage protection (+/- 10% of line voltage) for all devices in the system.
- Power supply provides appropriate Electro Static Discharge (ESD) protection for all devices in the system
- Power must be derived from the Lutron® power supply provided with the drapery system

System Capacity

- Maximum of 1 drive per power supply

Performance

- Uses steel-reinforced high-strength, low-friction belt to reduce noise and drag
- Supports drapery panels weighing up to 105 pounds (47 kg) on a straight, un-spliced track
- Available in track lengths up to 16 ft
- All system components are Electro Static Discharge (ESD) protected

Compatible Controls

- Pico® wireless control
- Serena® 4-Group wireless control
- seeTouch® RF keypads
- GRAFIK Eye® QS
- RadioRA® 2
- HomeWorks® QS
- Lutron® Smart Bridge Pro

Customer Assistance

USA and Canada: 1.844.LUTRON1 (588-7661)

UK: +44.(0)20.7702.0657

lutron.com/help | support@lutron.com

For product warranty information, please see:
[lutron.com/TechnicalDocumentLibrary/Window Systems Warranty.pdf](http://lutron.com/TechnicalDocumentLibrary/Window%20Systems%20Warranty.pdf)

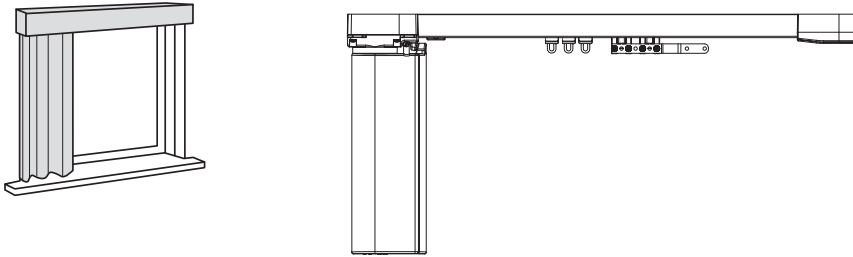
Job Name:

Model Numbers:

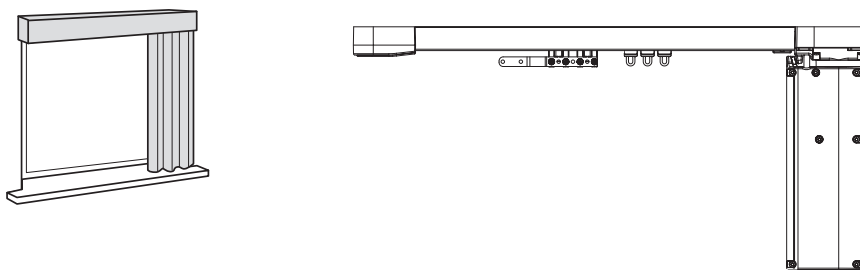
Job Number:

Drapery track options

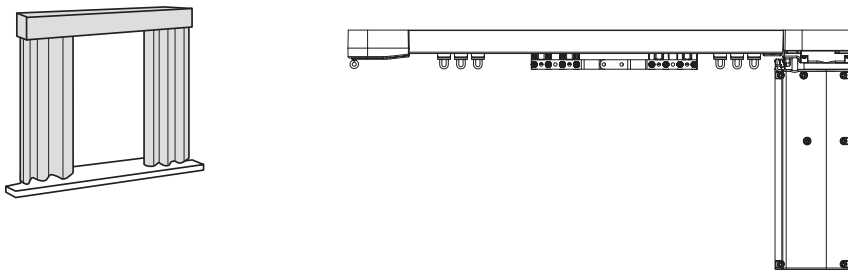
Left draw/left-mounted EDU



Right draw/right-mounted EDU



Center-draw, left-or right-mounted EDU



NOTE: Valance and drapery fabric not included

Job Name:	Model Numbers:
Job Number:	

System Capacity

Use this table to determine the maximum pinch pleat drapery panel size the drapery system can operate, based upon height and weight.



Pinch Pleat System Capacity	
System width	Straight track
24 in to 32 in (600 mm to 800 mm)	20 lbs (9 kg)
32 in to 44 in (800 mm to 1100 mm)	30 lbs (13.6 kg)
44 in to 56 in (1100 mm to 1400 mm)	40 lbs (18 kg)
56 in to 68 in (1400 mm to 1700 mm)	55 lbs (24.9 kg)
68 in to 84 in (1700 mm to 2133 mm)	65 lbs (29.5 kg)
84 in to 108 in (2133 mm to 2743 mm)	80 lbs (36.3 kg)
108 in to 132 in (2743 mm to 3353 mm)	105 lbs (47.6 kg)
132 in to 156 in (3353 mm to 3962 mm)	100 lbs (45.3 kg)
156 in to 192 in (3962 mm to 4878 mm)	80 lbs (36.3 kg)

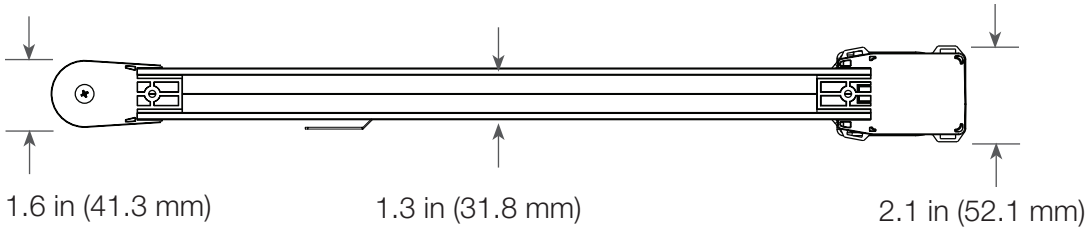
Job Name:

Model Numbers:

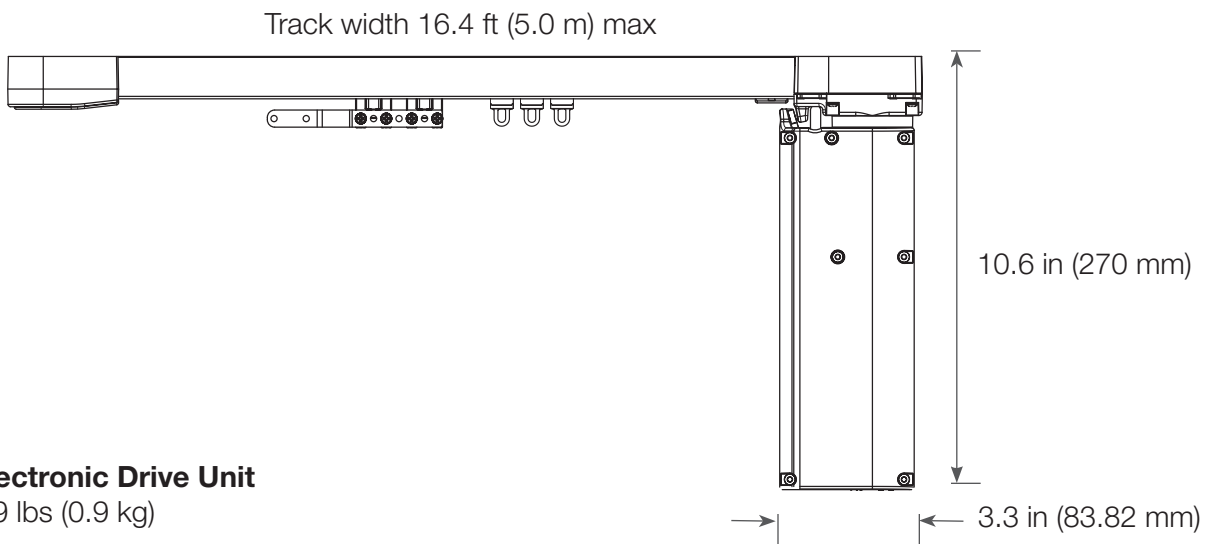
Job Number:

System dimensions

Top view (single track, right draw)

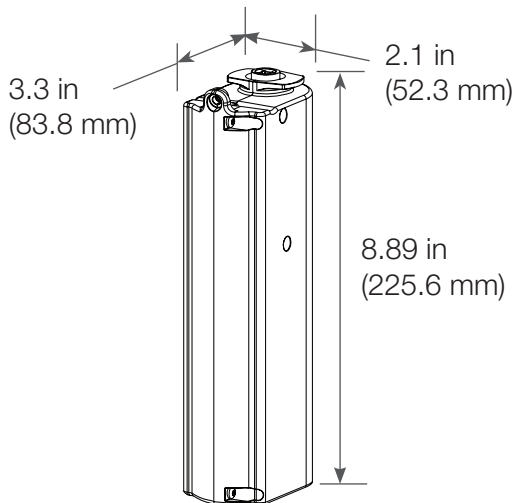


Front view (single track, right draw)



Electronic Drive Unit

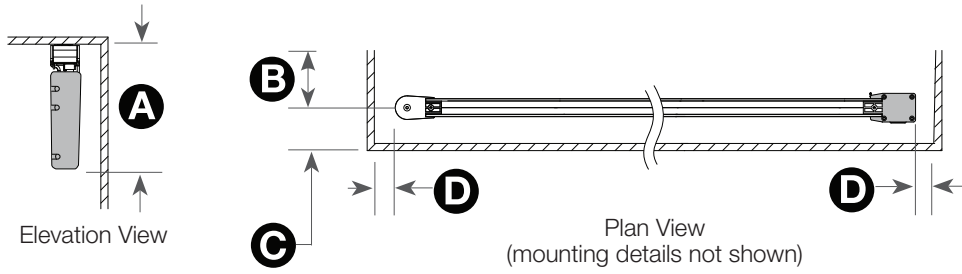
1.9 lbs (0.9 kg)



Job Name:	Model Numbers:
Job Number:	

Single drapery track system

Maintain enough clearance between the drapery track and the inside face of the top treatment or ceiling recess to allow the fabric to move freely.

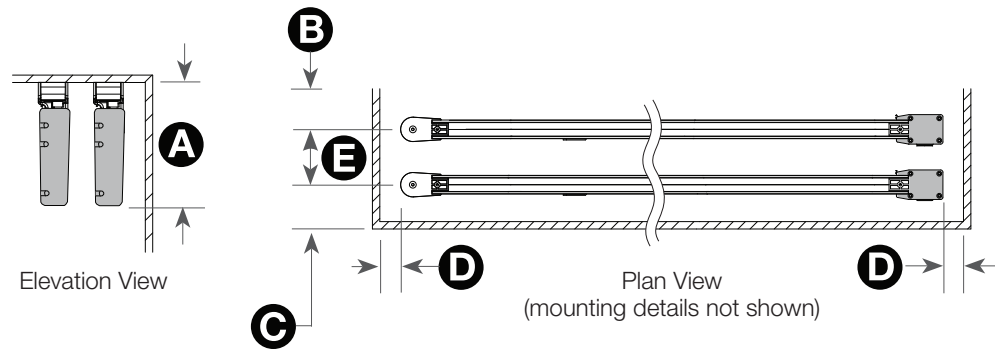


Dimensions*

- A** 11.25 in (286 mm)
- B** 3.5 in (89 mm)
- C** 2.5 in (64 mm)
- D** 1 in (25 mm)

Dual drapery track system

2 drapery tracks can be used for a combination sheer/blackout treatment.



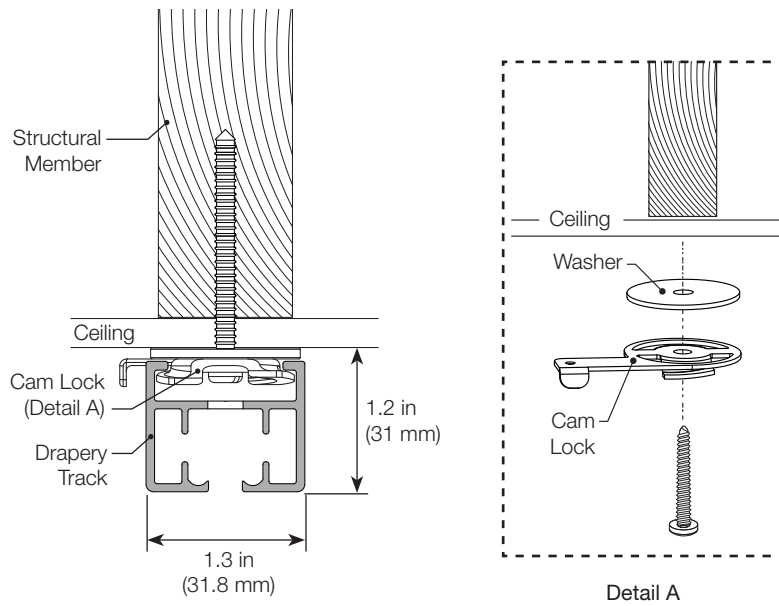
Dimensions*

- A** 11.25 in (286 mm)
- B** 3.5 in (89 mm)
- C** 2.5 in (64 mm)
- D** 1 in (25 mm)
- E** 5.5 in (140 mm)

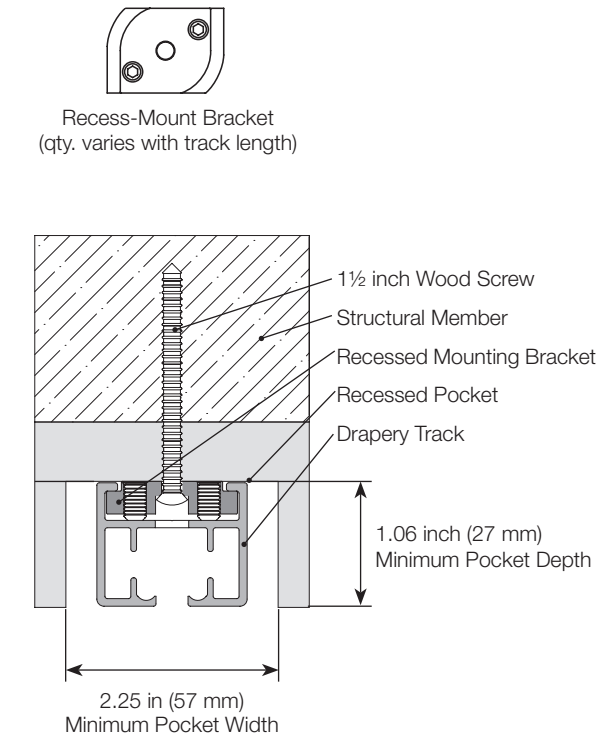
Job Name:	Model Numbers:
Job Number:	

Mounting Options

Ceiling Mount

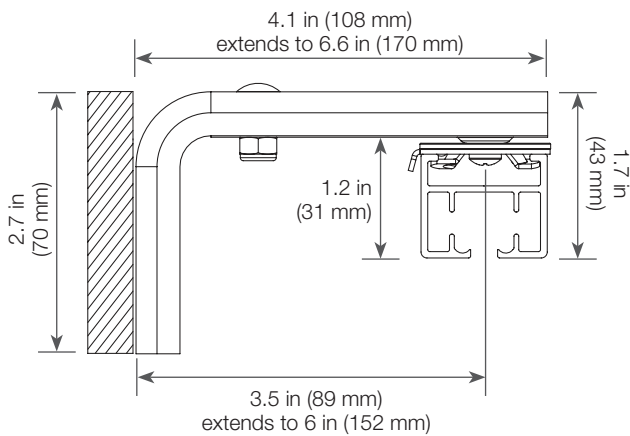


Recess Mount

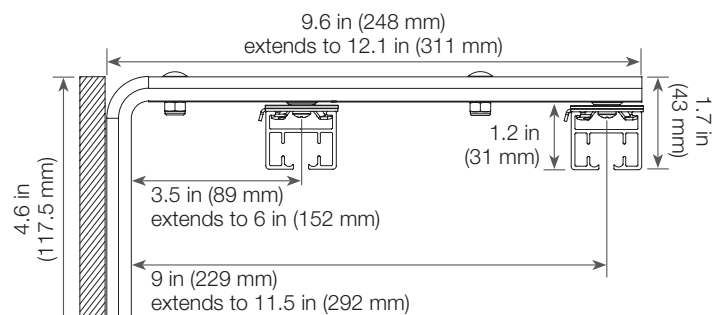


Wall Mount

Single Track



Dual Track



Job Name:

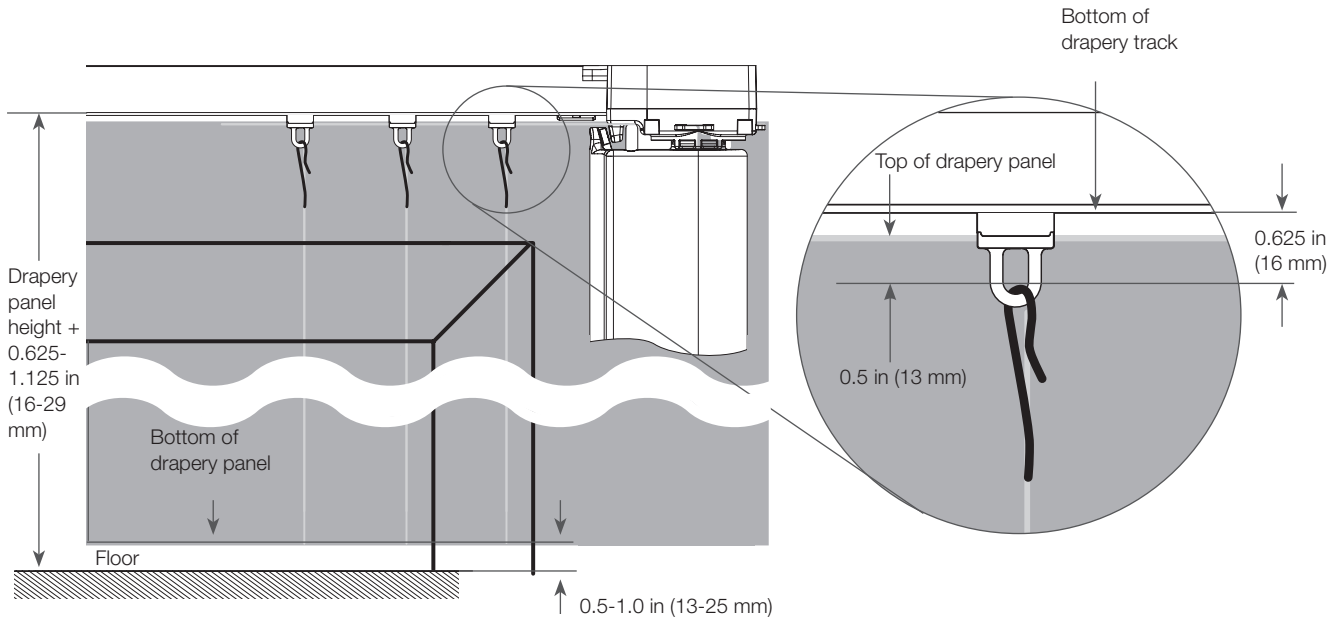
Model Numbers:

Job Number:

Hanging Drapery Fabric

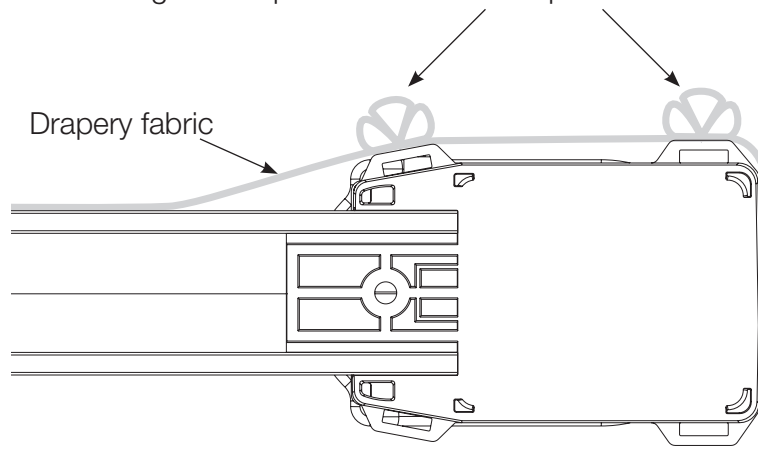
Pinch Pleat

Lutron recommends a drapery hook setting of 1/2 in (13 mm) from the top of the drape to the top of the hook (hooks not included). This locates the drapes just below the track and prevents it from rubbing on the track. It is recommended that a distance of 1/2-1 in (13-25 mm) be maintained between the bottom of drapery panel and the floor.



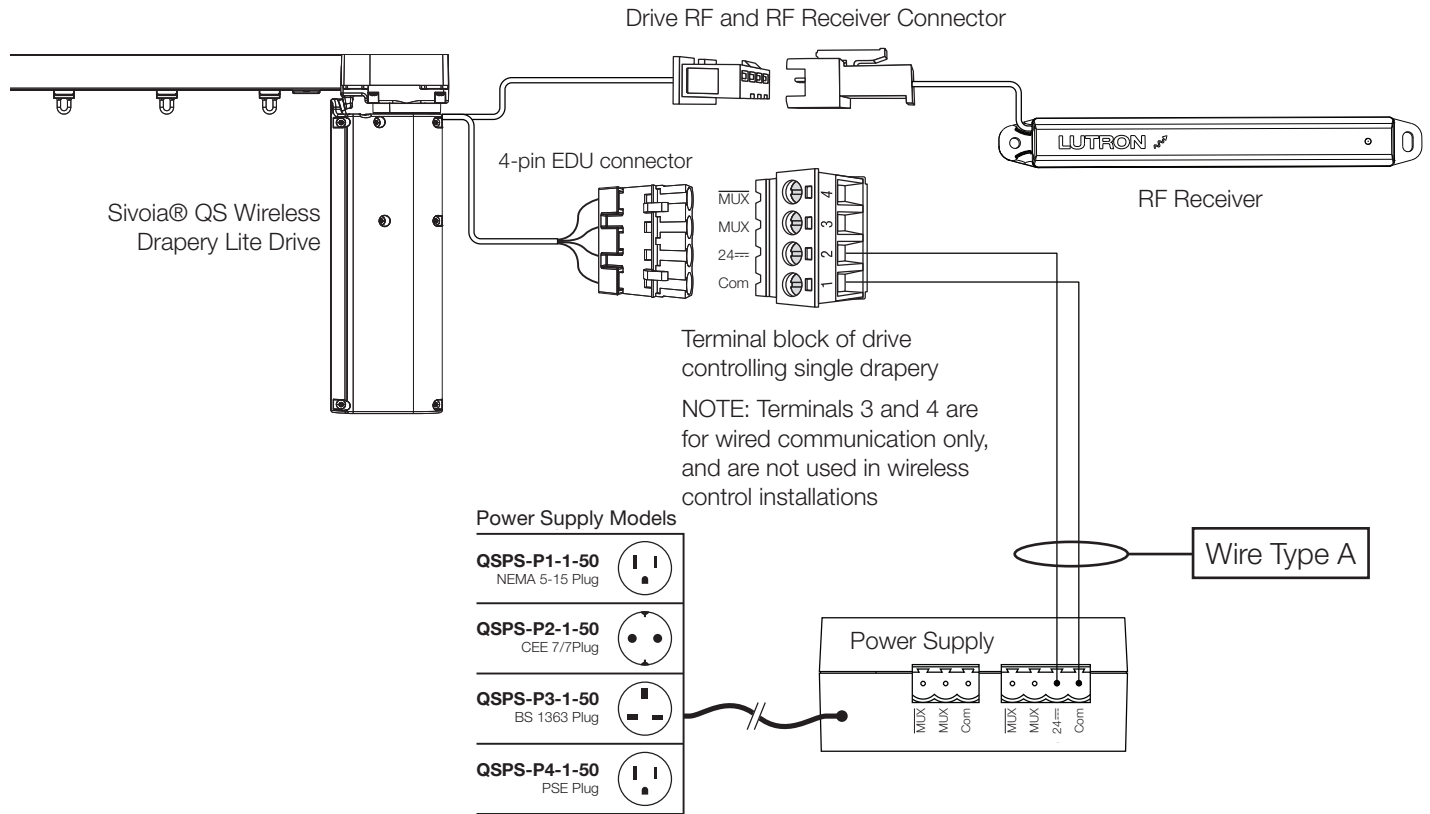
Dressing the Drape Around the Drive End

Adjustment of the drapery pin height may be necessary to align these pleats with the other pleats on the drapery panel.



Job Name:	Model Numbers:
Job Number:	

Sivoia® QS Wireless | Single Drive Wiring



Wiring types	Purpose	Wire options
A	Drive power (power supply to Drive)	12 AWG - (4 mm ²)-250 ft (75 m) max 16 AWG - (1.5 mm ²)-100 ft (30 m) max Lutron P/N QSHY-CBL-M-1000 Non-plenum Lutron P/N QSHY-CBLP-M-1000 plenum 18 AWG - (1 mm ²)-50 ft (17 m) max

Job Name:	Model Numbers:
Job Number:	

QS Link Wiring

Link Rules

The following link rules must be observed for proper operation.

- Maximum of 100 devices (such as a GRAFIK Eye® QS, see Touch® QS keypad, QSPS-P1-10-60, or Sivoia QS shade)
- Maximum of 100 zones (such as a Sivoia QS shade, or a lighting zone on a GRAFIK Eye QS)
- Maximum 2000 ft (600 m) of cable connecting all QSPS-P1-10-60 panels
- Maximum 2000 ft (600 m) of cable to devices wired to each QSPS-P1-10-60
- Only use cable with at least one twisted/shielded pair for communications (MUX and $\overline{\text{MUX}}$)

Maximum devices powered from one QSPS-Px-1-35V		Maximum total wire length of link wiring based on wire gauge			
Shades	+	Controls	12 AWG (4.0 mm ²)	16 AWG (1.5 mm ²)	18 AWG (1.0 mm ²)
1 Sivoia QS Drapery Lite Drive	+	Up to 1 Power Draw Unit*	250 ft (75 m)	100 ft (30 m)	50 ft (15 m)
None	+	Up to 8 Power Draw Units*	2000 ft (610 m)		1500 ft (450 m)

NOTE: Each Drapery Lite EDU should only be powered by one QSPS-Px-1-35V power supply.

Job Name:	Model Numbers:
Job Number:	