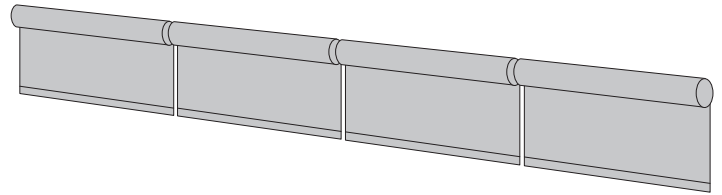


Motorized Roller Shades

Motorized roller shades are available as a stand-alone solution or as part of a fully automated system with Lutron solar-adaptive technology. The precision controlled electronic drive unit (EDU) is housed inside the roller shade assembly, and wired power and communication are provided via low voltage wiring from either a plug-in, junction-box-mounted, or 10-output power supply. Compatible controls include stand-alone and system options; wired or wireless.

Features

- Single Fabric Panel: Standard sizes available up to 12 ft (3.66 m) wide and up to 30 ft (9.1 m) tall (Contact Lutron if larger sizes are required)
- Coupled Fabric Panels: Up to 6 coupled panels on a single EDU
- Programmable Open and Close Limits
- Hem Bar Speed: 2.7 inches/second (68.6 mm/sec)
- Sound: 44 dBA measured 3 ft (0.91 m) from the EDU
- Vertical level adjustment: +/- 1/4 in (6 mm)
- 3/4 in (19 mm) symmetrical light gaps*
- Covered by Lutron Shading Solutions standard warranty; see: lutron.com/TechnicalDocumentLibrary/Window_Systems_Warranty.pdf



Power and Communication

- Low-voltage power and communication in a single 4-wire cable*
- Lutron NEC® Class 2, 35 V power
 - Plug-In (QSPS-P1-35V)
 - Junction Box Mounted (QSPS-J-1-35V)
 - 10-Output Panel (QSPS-10PNL, QSPSY-10PNL)
 - Operating voltage can be provided by the Lutron NEC® Class 2, 35 V power sources mentioned above
- Control system power supply offers (spike and brownout) overvoltage protection (+/- 10% of line voltage) for all devices in the system
- Power supply provides appropriate Electro Static Discharge (ESD) protection for all devices in the system
- Power failure protection: Programming will not be lost if power is lost to the drive

Accessories

(available in white, black, bronze, and silver):

- 4 in (102 mm) Fascia
- 8 in (203 mm) Dual Fascia
- Side Channel
- Sill Angle
- 5 in x 5 1/8 in (127 mm x 130 mm) pocket (single-mount)
- 7 in x 11 in (178 mm x 279 mm) pocket (dual-mount)

NOTE: Clerestory shades are used in applications where the shade height is between 20 ft (6.1 m) and 30 ft (9.1 m). Clerestory shades are available as ceiling or pocket mount only. They are not available with coupling.

* At high aspect ratio (tall and narrow) shade sizes, Lutron may increase the size of the light gaps to compensate for the increased probability of telescoping. Dual mount systems with fascia have light gaps of 13/16 in (20.5 mm). Light gaps will be reported on quote.

IMPORTANT: Lutron Contract Roller motorized shades must be mounted to blocking or other suitable structural material. It is the responsibility of the installer to choose and install fasteners that are appropriate for the mounting surface such that each shade bracket can support the shade load. Shade bracket loading requirements can be found in the applications section of this document. Clerestory bracket loading can be found in the Clerestory section of this document.

Please see the Lutron Performance Shading Advisor at performanceshadingadvisor.com for up-to-date Performance Fabric specifications and availability.

* Refer to power supply spec for system compatibility.

Job Name:

Model Numbers:

Job Number:

Specifications

Performance

- Digitally assign and reassign shades to controls, groups, and scenes¹
- Adjust limits locally via controls on the EDU and via Lutron controls
- No wired relays or wired group controllers required
- Preset points can be easily programmed at any position between the open and close limits
- Shades stop within 1/8 in (3 mm) of programmed open, close, and preset positions
- Intelligent Hem Bar Alignment (IHA): Shades remain within 1/8" alignment when stopped or moving

Environment

- Temperature: 32° - 104° F (0° - 40° C)
- Humidity: 0% - 90%, non-condensing

Controls and Integration

- Shades seamlessly integrate with Lutron lighting controls, enabling features such as shared lighting and shade keypads, scene control, timeclock automation, software and mobile application control, and solar adaptive automation

Grouping

- System keypads can control any EDU, group, or subgroup without a separate group controller or additional interface¹
- System groups and subgroups can be reconfigured at the point of control without rewiring and without access to the EDU¹
- Controls within this system are able to operate any group or subgroup of EDUs, regardless of window treatment type¹

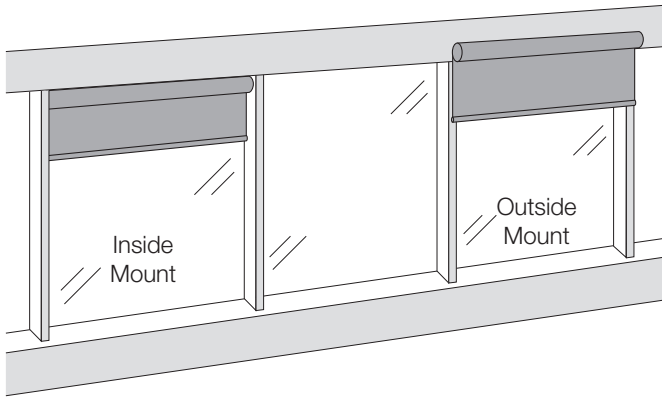
¹ May require a service visit from a Lutron Qualified Technician

Job Name:	Model Numbers:
Job Number:	

Shade Options for Standard Applications

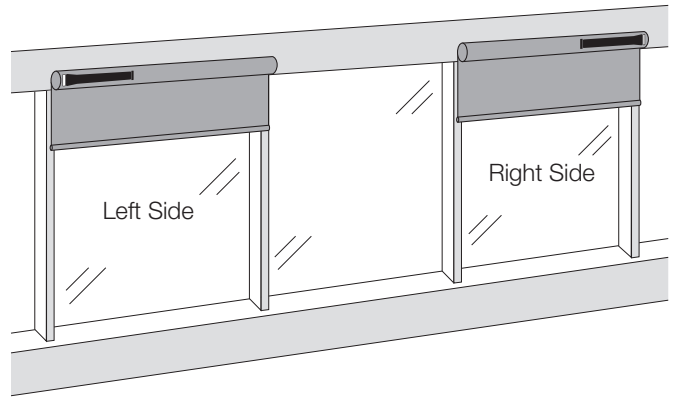
Mounting Options

- Inside mount
- Outside mount

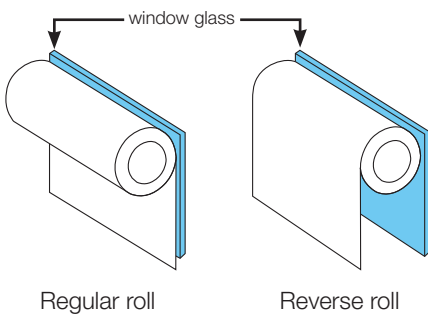


Drive Side Options

- Left
- Right



Fabric Drop Options

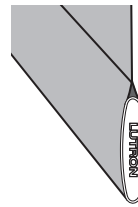


Regular roll

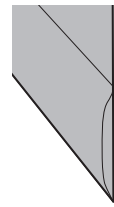
Reverse roll

See page 12 for cable guided fabric drops

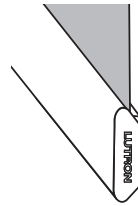
Hembar Options



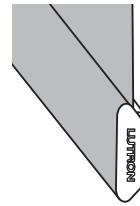
Designer (standard)



Sealed



Architectural Hembar (exposed)



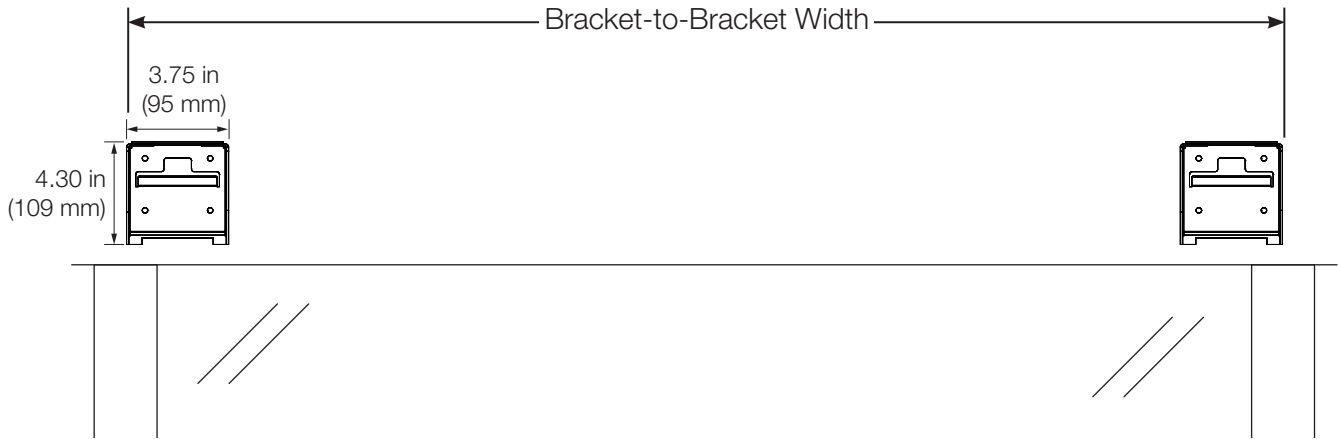
Architectural Hembar (half wrap)

NOTE: Hembar option availability may be limited based on chosen fabric

See page 13 for cable guided hembar

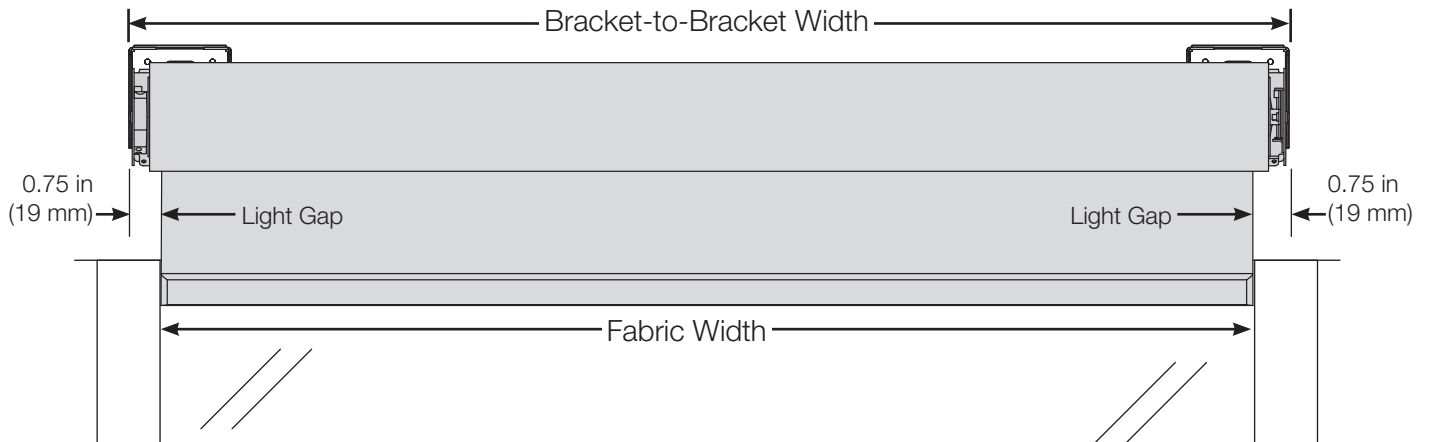
<p>Job Name:</p> <p>Job Number:</p>	<p>Model Numbers:</p>
--	-----------------------

System Dimensions for Standard Applications



Installed Shade

(wall brackets shown)

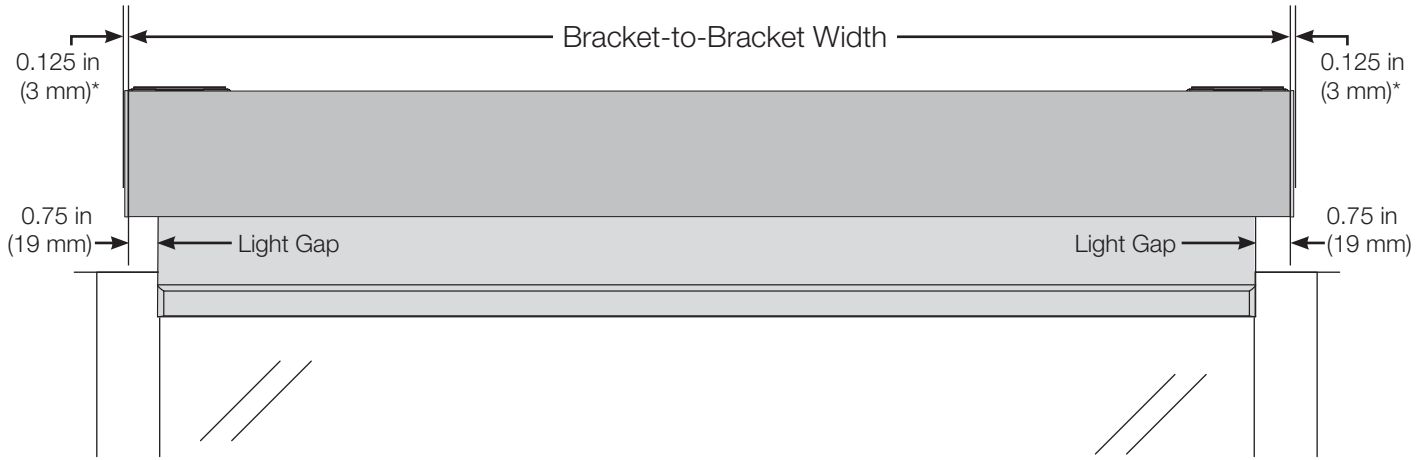


Job Name:	Model Numbers:
Job Number:	

System Dimensions for Standard Applications (cont.)

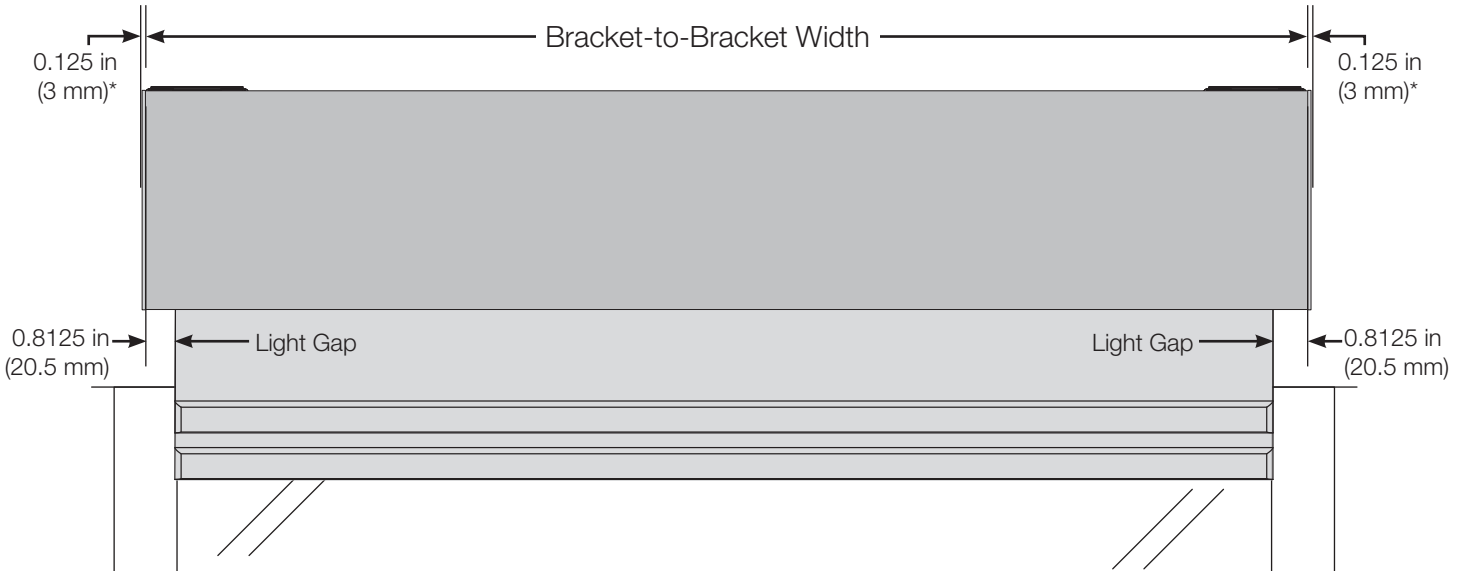
With Optional Fascia

Single Mount



With Optional Fascia

Dual Mount



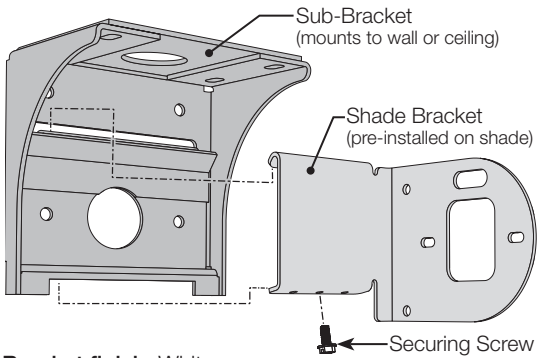
***NOTE:** Fascia endcaps add 0.125 in (3 mm) at each end, beyond the bracket-to-bracket width. When using endcaps for inside-mount, deduct the total 0.25 in (6 mm) from the bracket-to-bracket width to allow clearance for the endcaps within the window opening.

<p>Job Name:</p>	<p>Model Numbers:</p>
<p>Job Number:</p>	

Mounting Options for Standard Applications

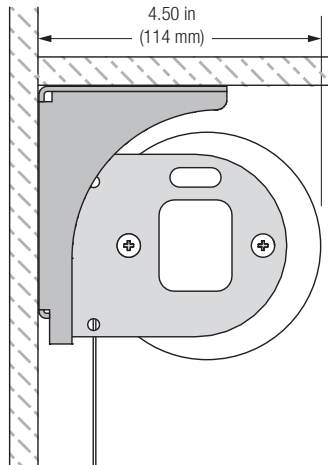
Wall/Ceiling/Pocket Mount Brackets

Wall/Ceiling/Pocket Brackets are designed to bear loads up to 400 lbs (181 kg) each

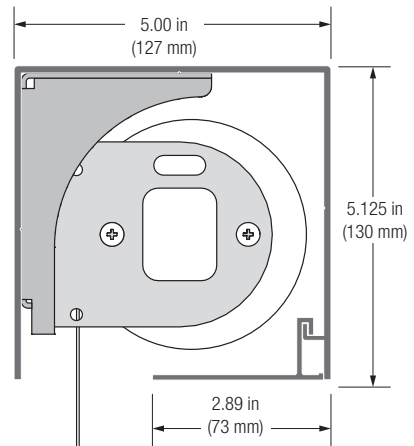


Bracket finish: White

Contract Roller brackets employ a two-piece design.



Wall or Ceiling Mounted

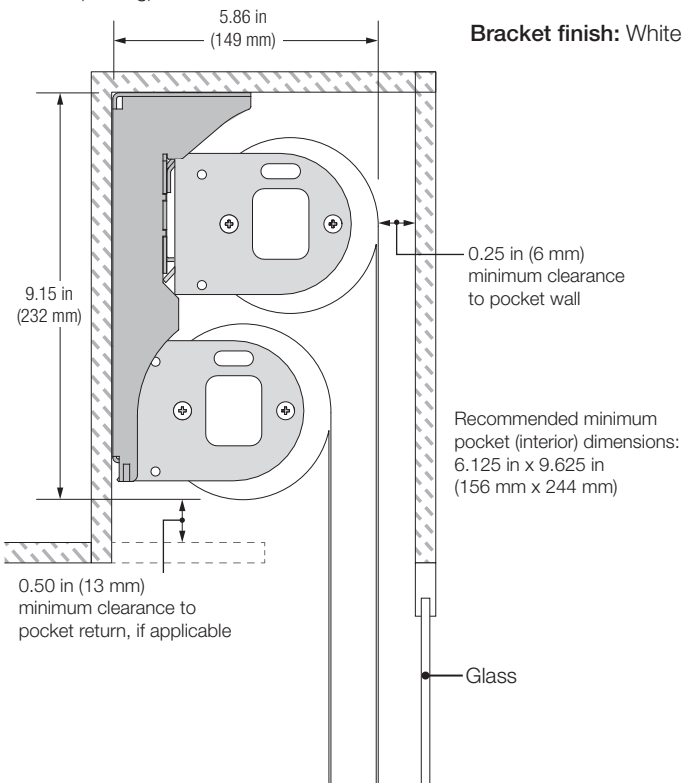


Pocket Mounted (regular roll only)

- Pocket finishes:**
- White
 - Black
 - Bronze
 - Silver

Dual Wall/Ceiling/Pocket Mount

Dual Wall/Ceiling/Pocket Brackets are designed to bear loads up to 400 lbs (181 kg) each

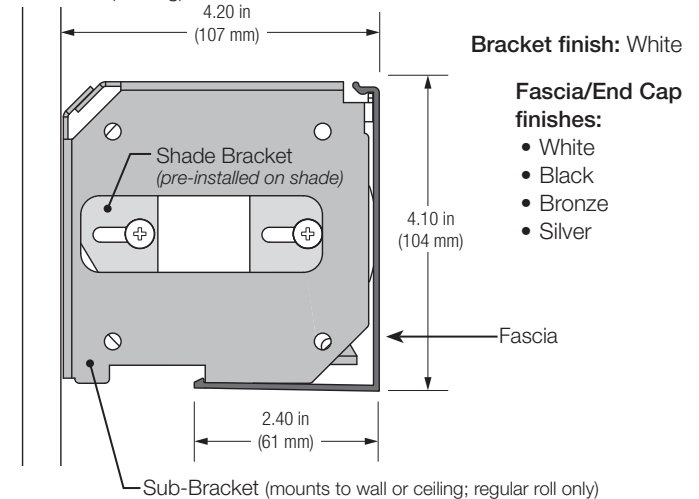


Bracket finish: White

Fascia-Mount Wall/Ceiling Brackets

Designed specifically for mounting fascia and end caps

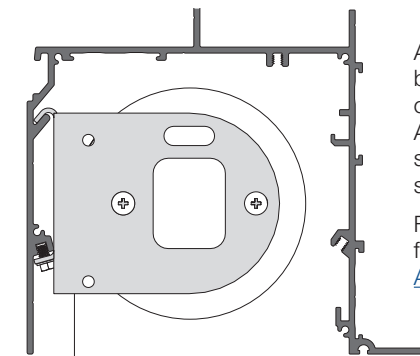
Fascia-Mount Wall/Ceiling/Pocket Brackets are designed to bear loads up to 250 lbs (133 kg) each



Bracket finish: White

- Fascia/End Cap finishes:**
- White
 - Black
 - Bronze
 - Silver

Armstrong AXIOM® Pocket Mount



Available with shade brackets that are compatible with Armstrong AXIOM® building perimeter systems. For specifications, see: P/N [085336](#)

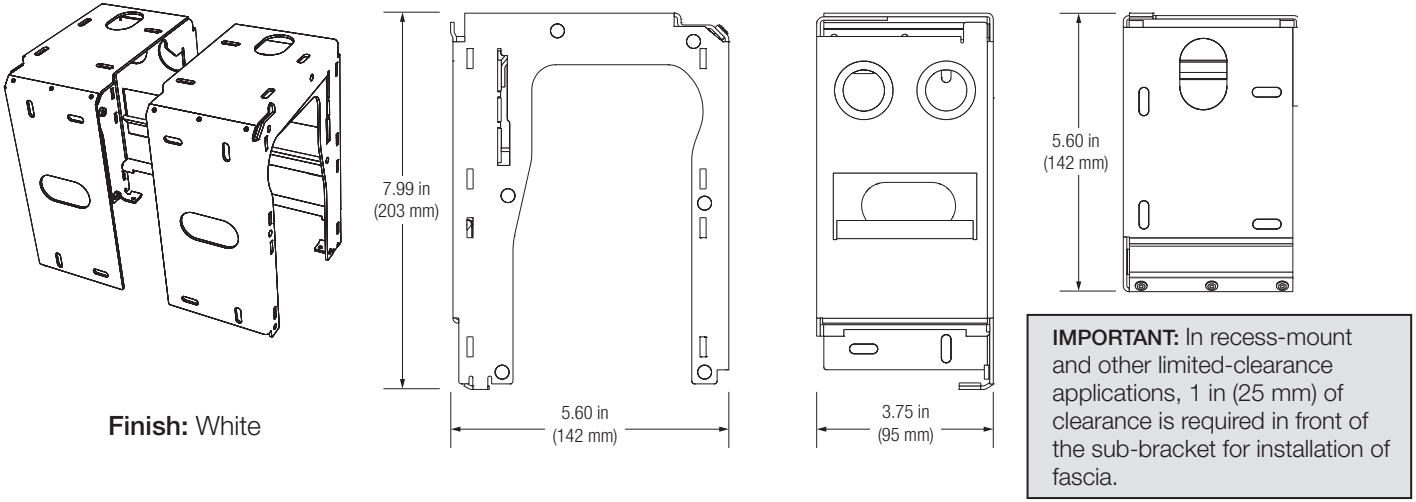
For Armstrong AXIOM® features and options, visit [Armstrong.com/Lutron](#)

Job Name:	Model Numbers:
Job Number:	

Mounting Options for Standard Applications (cont.)

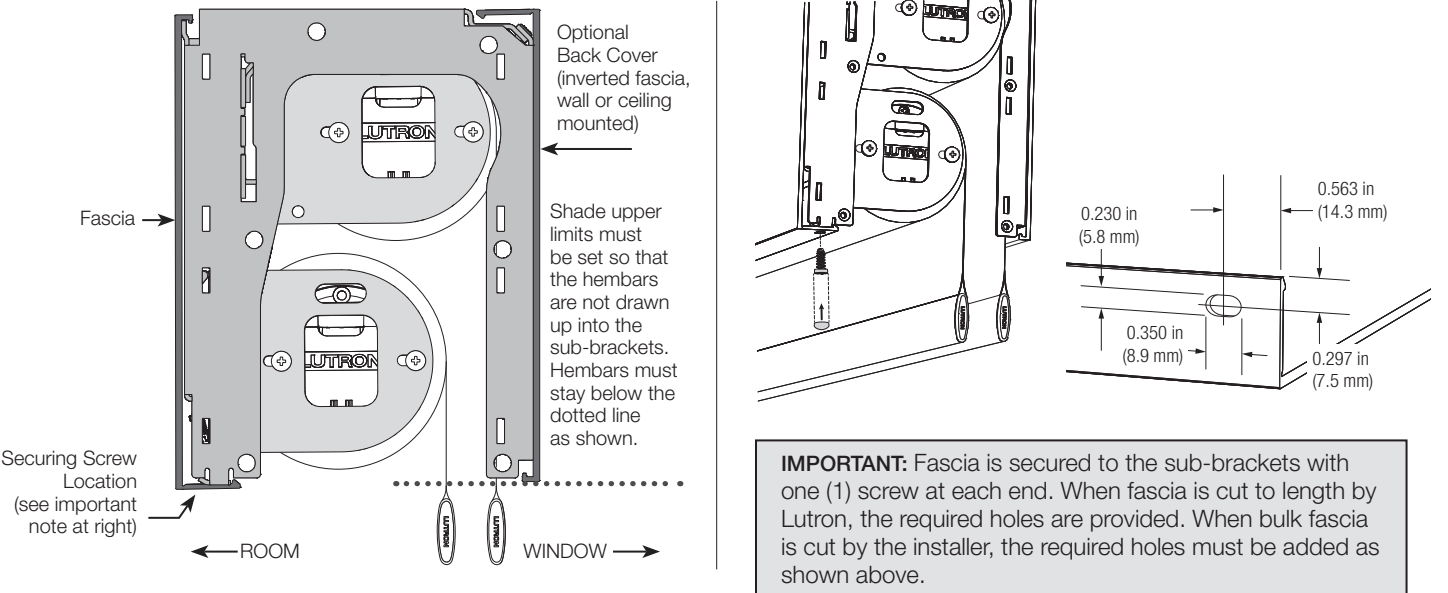
Dual Shade Wall/Ceiling Fascia-Mount Sub-Brackets

Dual Wall/Ceiling Fascia Brackets are designed to bear loads up to 400 lbs (181 kg) each



Dual Fascia

Requires Dual Fascia Bracket Kit (brackets shown above; standard brackets are not compatible)

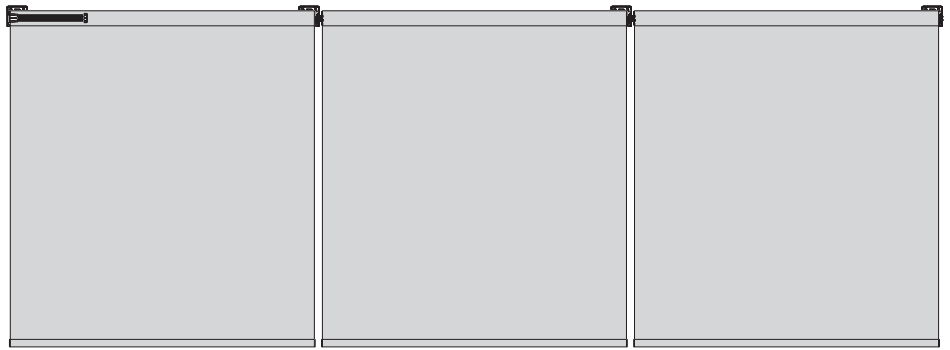


Job Name:	Model Numbers:
Job Number:	

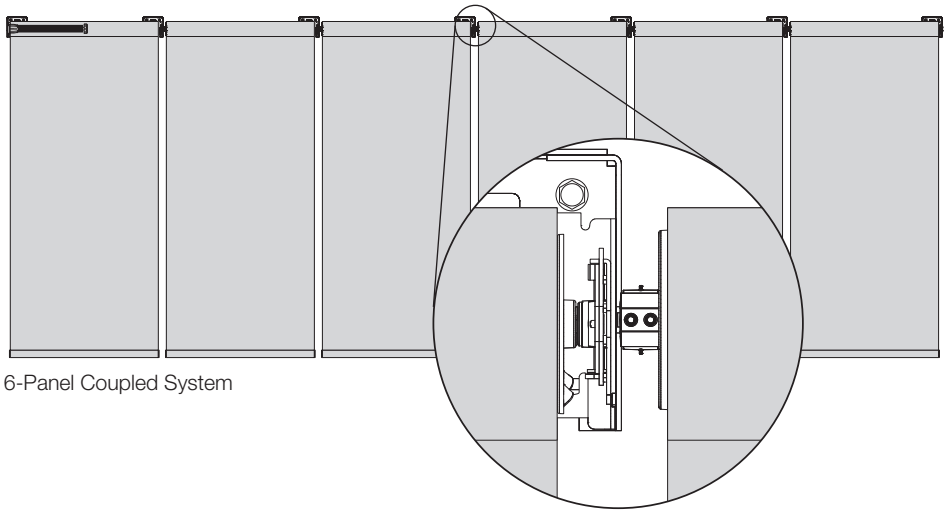
Inline Coupled System

Up to six shade panels can be coupled, powered by a single electronic drive unit (EDU).

- Increased efficiency by operating multiple shades with one EDU
- 1.5 in (38 mm) minimum light gap between panels
- Available with all mounting options
- Hembars of coupled shades may be aligned after installation (see below)
- The coupled system maintains hembar alignment within 0.125 in (3 mm)



3-Panel Coupled System



6-Panel Coupled System

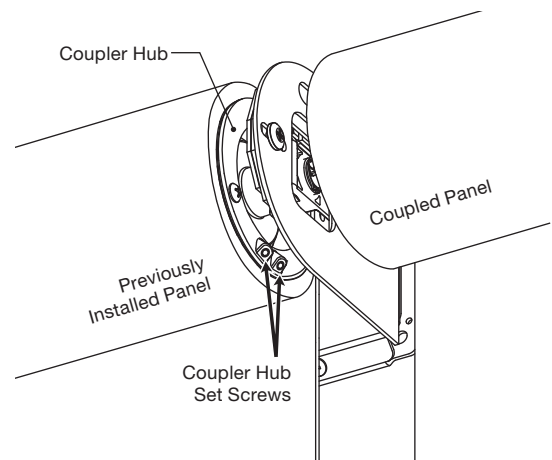
Hembar Alignment

- Hembars of adjacent shades can be aligned after the shades are mounted
- Use the Arrow buttons (↶↷) on the EDU controls to rotate the drive shade so that the set screws in the coupler hub are accessible.

While a second person holds the coupled panel fabric roll in place to prevent it from unrolling, loosen (do not remove) the coupler hub set screws.

Carefully rotate the coupled panel fabric roll to align its hembar with the hembar of the previously-installed panel.

With the hembars aligned, use the torque driver to re-tighten the coupler hub set screws to a torque of 6.0 in-lbs (0.7 N•m).

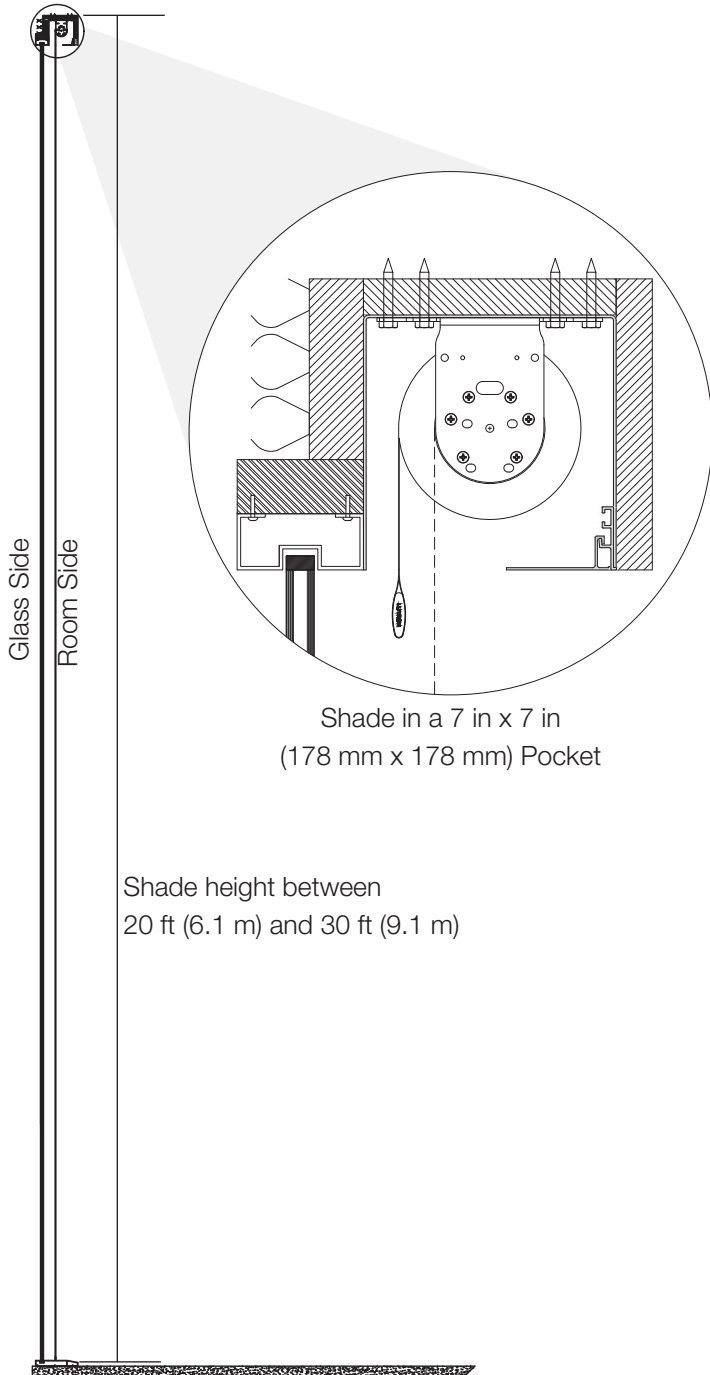


Job Name:	Model Numbers:
Job Number:	

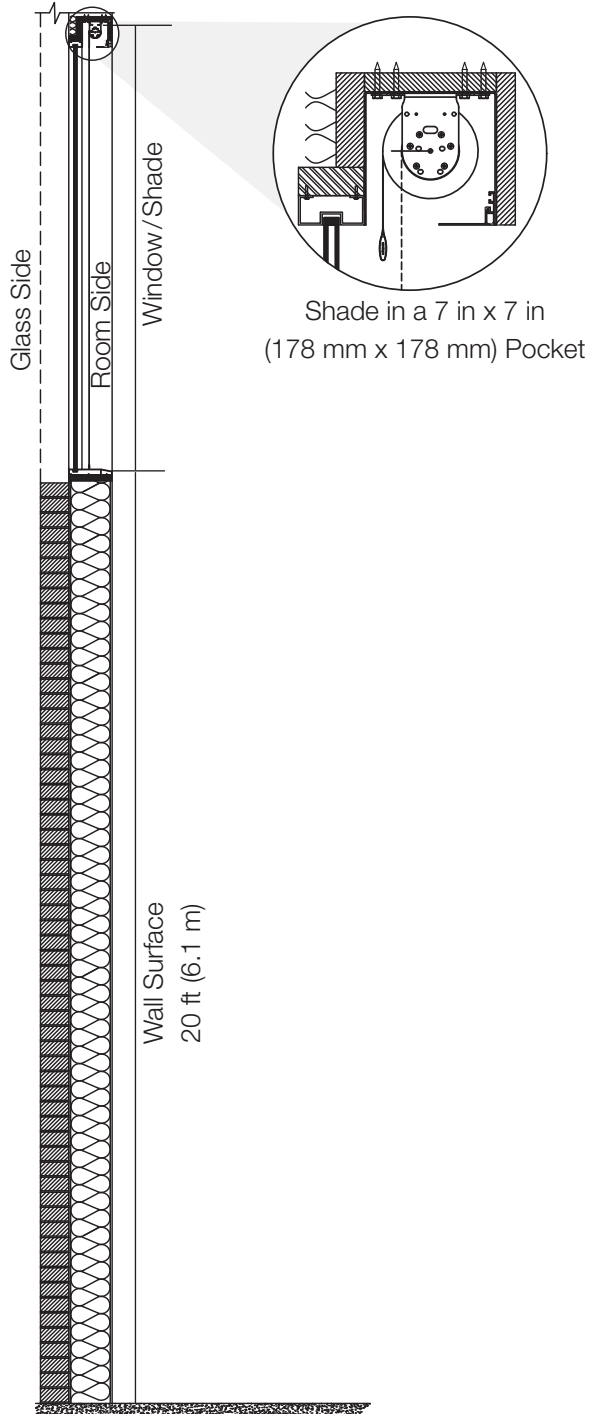
Clerestory Shades (cont.)

Applications for Clerestory Shades

Shade mounting height is between 20 ft (6.1 m) and 30 ft (9.1 m).



Shade mounted in a multi-story application where mounting height is above 20 ft (6.1 m).

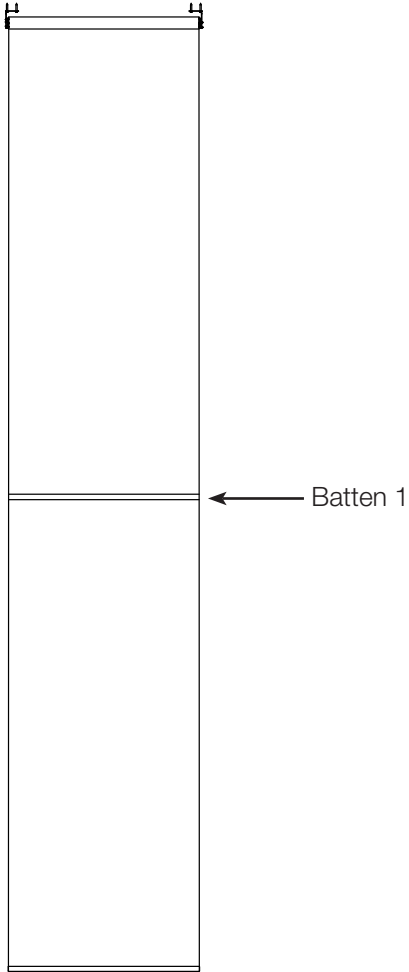


Job Name:	Model Numbers:
Job Number:	

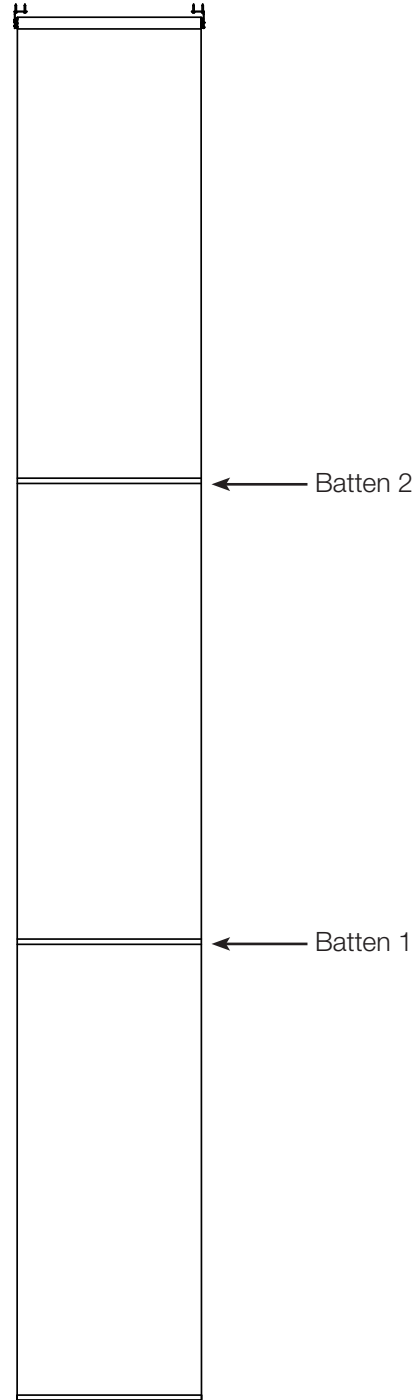
Clerestory Shades (cont.)

Batten Rules for Clerestory Shades

Shade heights of 20 ft (6.1 m) to 25 ft (7.6 m) require one (1) batten.



Shade heights of 25 ft (7.6 m) to 30 ft (9.1 m) require two (2) battens.



Job Name: Job Number:	Model Numbers:
------------------------------	----------------

Cable Guided Shades

IMPORTANT: Please contact Lutron Customer Service for all Contract Cable Guide applications.

Benefits

- Low profile cable kits allow for a discrete solution for inclined windows
- Sturdy, reliable cables keep shades parallel within sloped conditions
- Easily adaptable depending on mounting condition – ceiling mount is standard; a wall-mount adapter kit allows the brackets to be installed on the window wall
- Available for single and coupled shade panel solutions
- Weighted hembar option is available to reduce unwanted sag and keep the fabric panel aligned with the glass
- Available in the same fabrics as Lutron’s standard roller shade collection to maintain interior and exterior aesthetics
- Available with two different styles of hembars. See page 13 for options

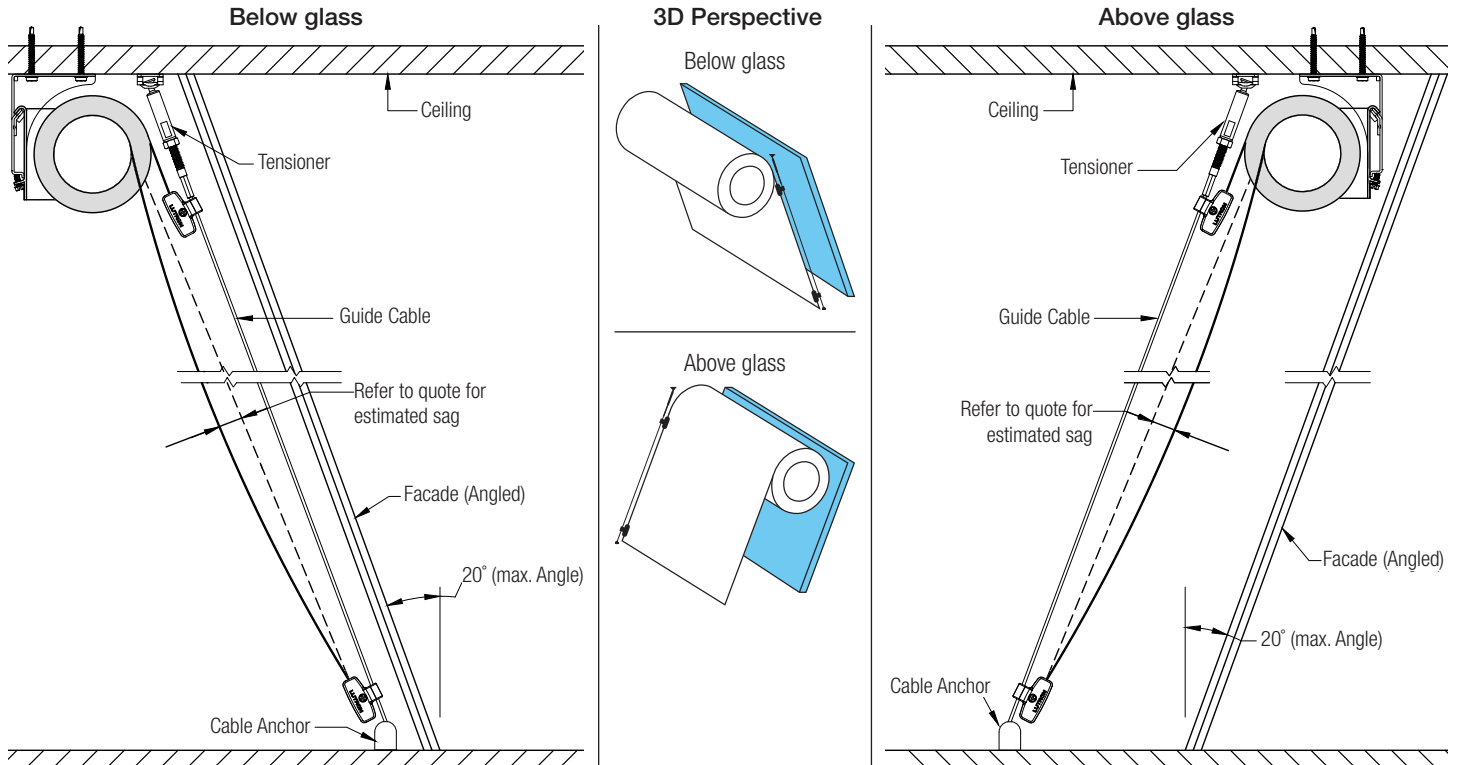
Applications

- Cable guides allow traditional Lutron roller shading solutions to be installed parallel to inclined windows up to 20° from vertical
- Cable guides also help to keep shades in place within spaces using a natural ventilation system

Accessories

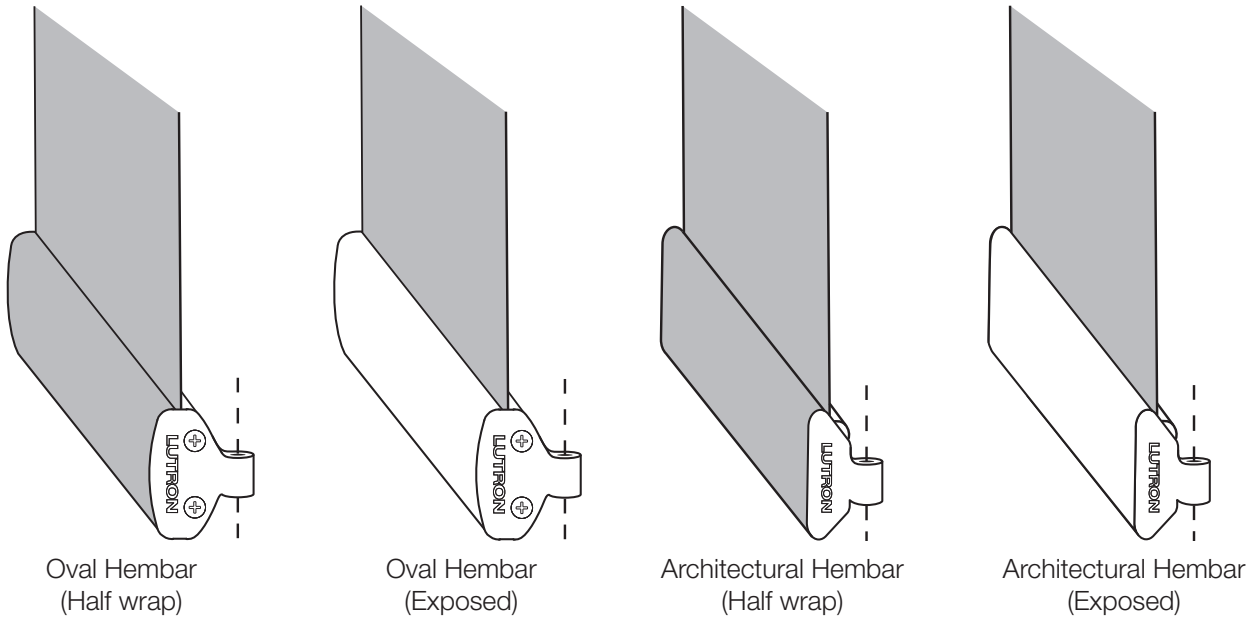
- Contract Cable Guide Wall Adapter Kit

Cable Guided Fabric Drop Options



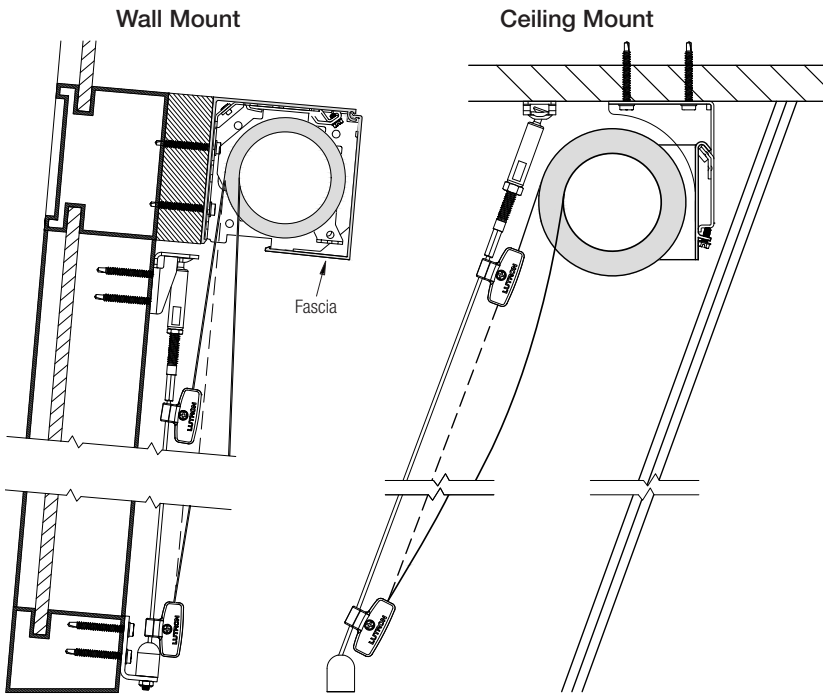
Job Name:	Model Numbers:
Job Number:	

Cable Guided Bottom Bars



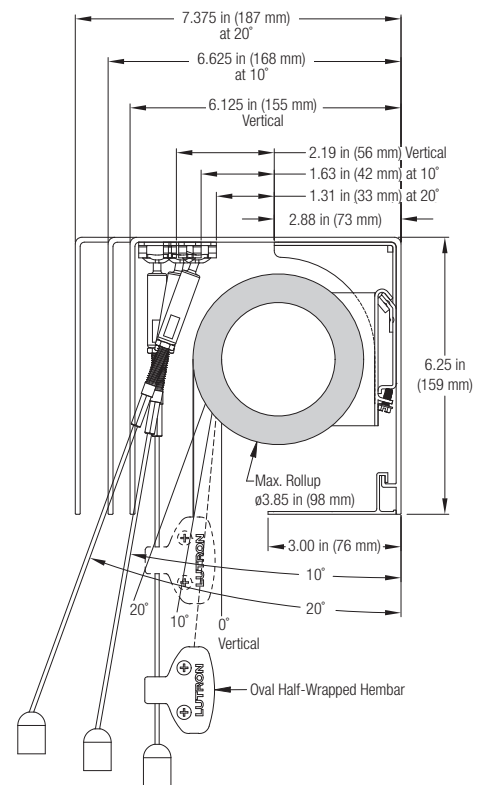
NOTE: Hembar option availability may be limited based on chosen fabric.

Mounting Options



NOTE: Lutron does not currently offer a standard solution for dual cable guided applications.

Recommended Pocket Dimensions



The Lutron logo, Lutron and Sivoia are trademarks of Lutron Electronics Co., Inc., registered in the U.S. and other countries. All other product names, logos, and brands are property of their respective owners.

Job Name:	Model Numbers:
Job Number:	