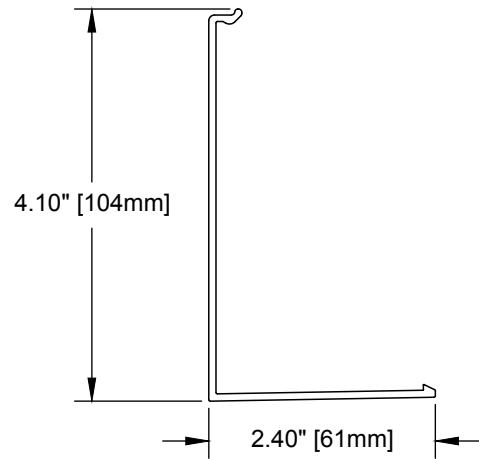
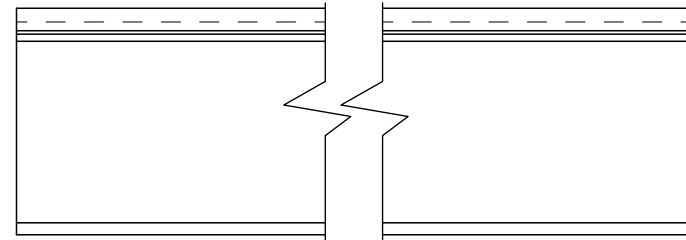


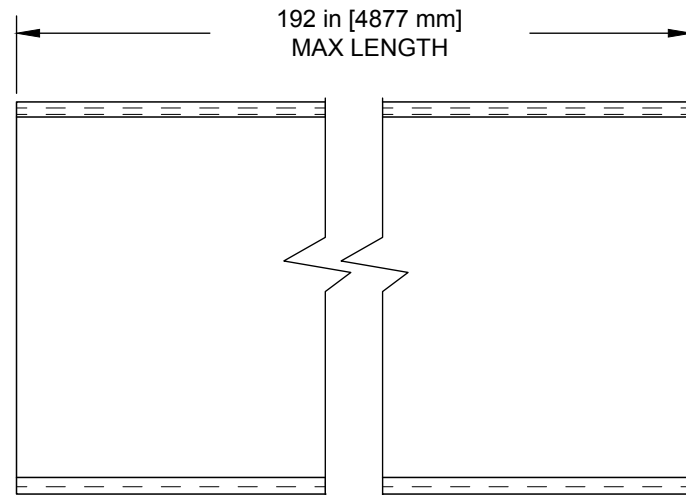
ISOMETRIC VIEW



SECTION VIEW



PLAN VIEW



ELEVATION VIEW

NOTE:

1. AVAILABLE IN WHITE, BLACK, BRONZE AND SILVER

CONTRACT ROLLER FASCIA 4"

SCALE: 1/2

DRAWING #: 085381

REVISION: A