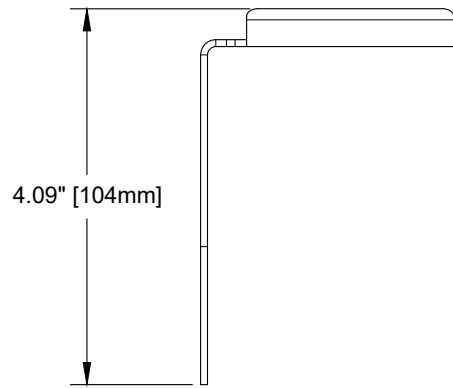
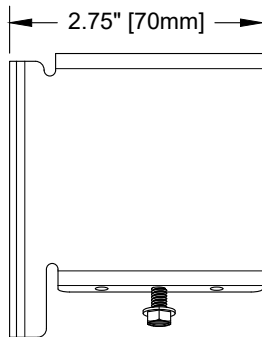


CONTRACT ROLLER MOTORIZED

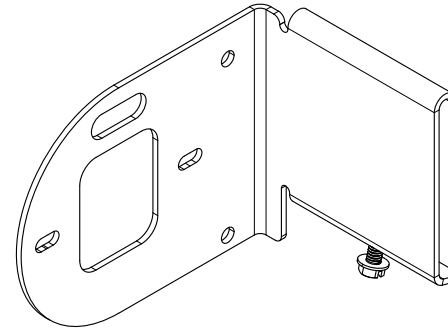
WIN-SBRK-XL-RPL



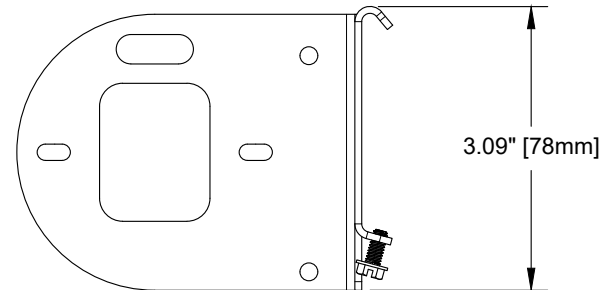
PLAN VIEW



ELEVATION VIEW



ISOMETRIC VIEW



SECTION VIEW

THIS BRACKET IS COMPATIBLE WITH THE FOLLOWING MOUNTING TYPES:

- | | |
|------------|-----------------|
| 1. WALL | 4. DUAL POCKET |
| 2. CEILING | 5. AXIOM POCKET |
| 3. POCKET | |

SHADE BRACKET LEFT

SCALE: 1/2

DRAWING #:085489

SHEET:1 OF 1

REV: B



Lutron Electronics Co., Inc.
7200 Suter Road | Coopersburg, PA 18036 | USA
1(800) 446-1503 | Fax: (610) 282-7439
<http://www.lutron.com>

DETAIL DRAWING