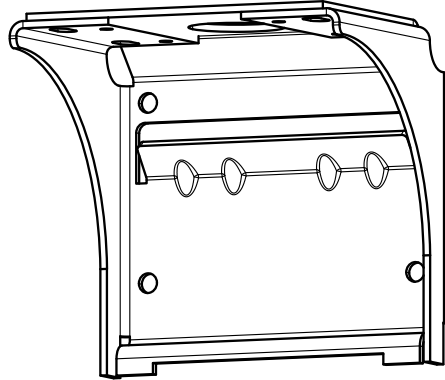
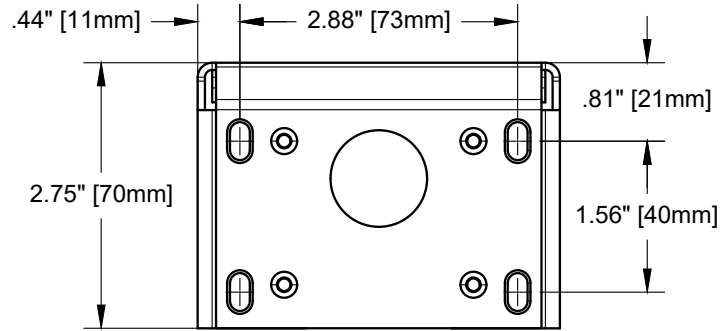


CONTRACT ROLLER MOTORIZED

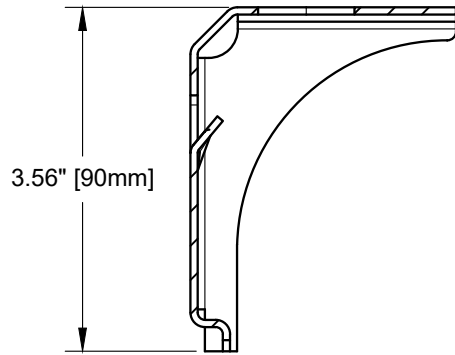
WIN-BRK-C-PWC



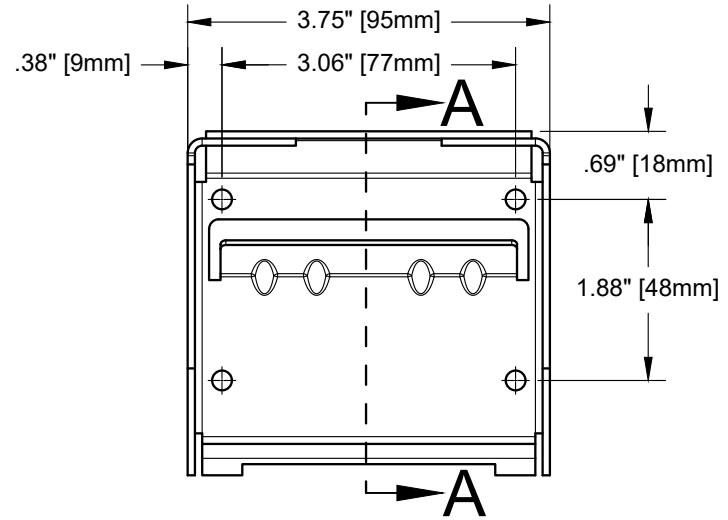
ISOMETRIC VIEW



PLAN VIEW



SECTION VIEW - A



ELEVATION VIEW

THIS BRACKET IS COMPATIBLE WITH THE FOLLOWING MOUNTING TYPES:

1. WALL
2. CEILING
3. POCKET

SHADE SUB-BRACKET

SCALE: 1/2

DRAWING #:085498

SHEET: 1 OF 1

REV: B



Lutron Electronics Co., Inc.
7200 Suter Road | Coopersburg, PA 18036 | USA
1 (800) 448-1503 | Fax: (610) 282-7439
<http://www.lutron.com>

DETAIL DRAWING