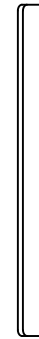
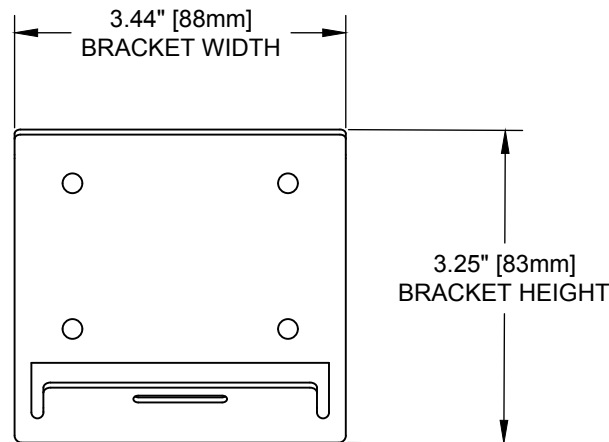


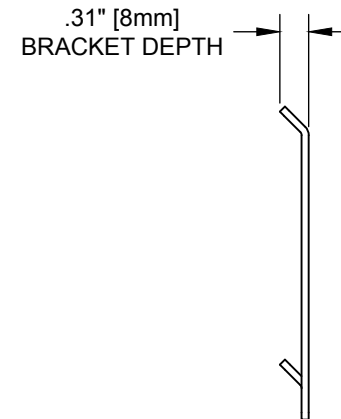
ISOMETRIC VIEW



PLAN VIEW



SECTION VIEW



ELEVATION VIEW

**ROLLER 100/150/300 WALL SUB-BRACKET**

SCALE: 1/2

DRAWING #:

085508

REVISION: A