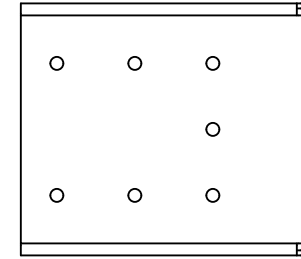
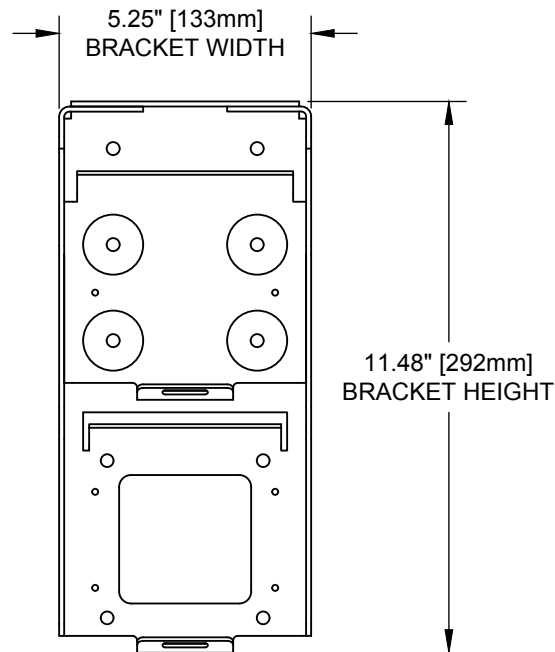


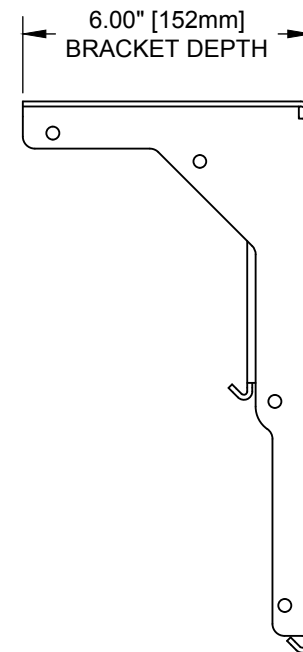
ISOMETRIC VIEW



PLAN VIEW



SECTION VIEW



ELEVATION VIEW

ROLLER 225 DUAL SUB-BRACKET

SCALE: 1/4

DRAWING #: 085528

REVISION: A