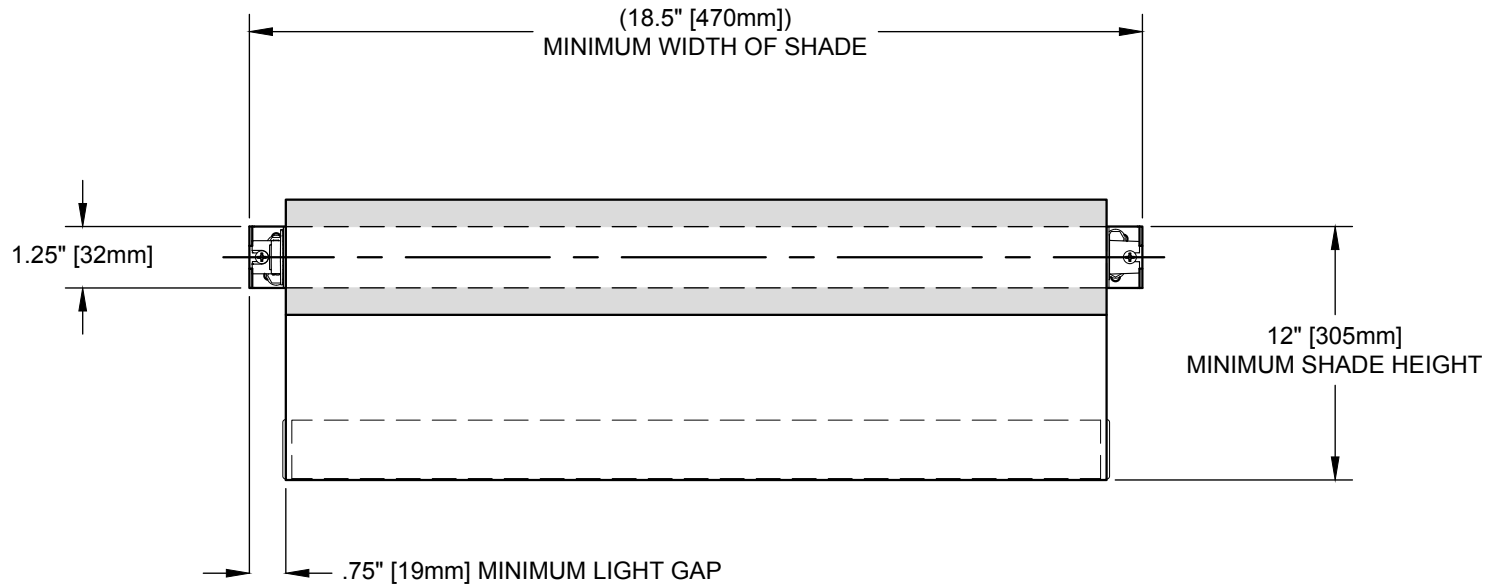
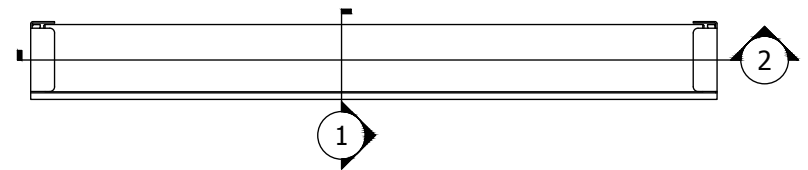


ROLLER 20

UNIVERSAL MOUNT SHADE



MULTIPLE MOUNTING CONFIGURATIONS ARE ALLOWED: THIS BRACKET SUPPORTS CEILING, WALL OR JAMB MOUNTING (WALL MOUNT SHOWN).



LEGEND (TOP VIEW)

SHADE INSTALLED AS PROVIDED BY FACTORY WILL HAVE ALL NECESSARY CLEARANCES FOR PROPER OPERATION. IF ADJUSTMENT FEATURES ARE UTILIZED, IT IS THE RESPONSIBILITY OF THE INSTALLER TO ENSURE PROPER CLEARANCES ARE MAINTAINED. NOT ALL ADJUSTMENTS ARE AVAILABLE AT MAXIMUM ROLL Ø.

ROLLER 20

085534

SCALE: 1/4

VIEW: 2

REVISION: A