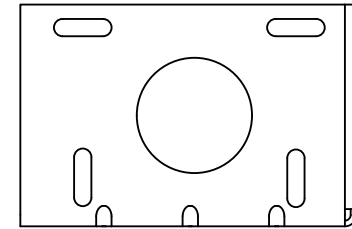
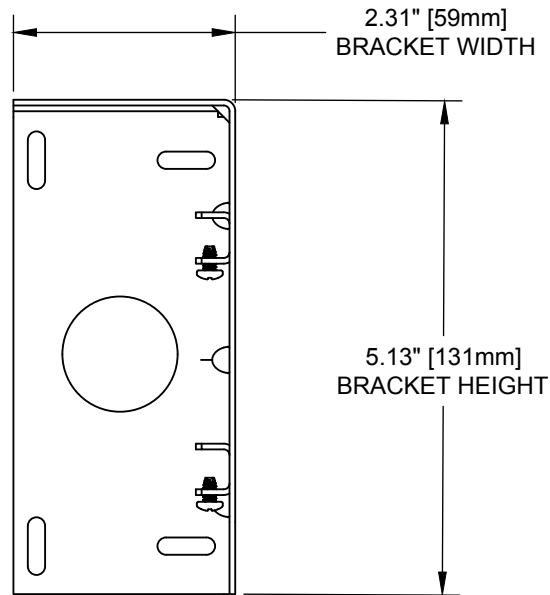


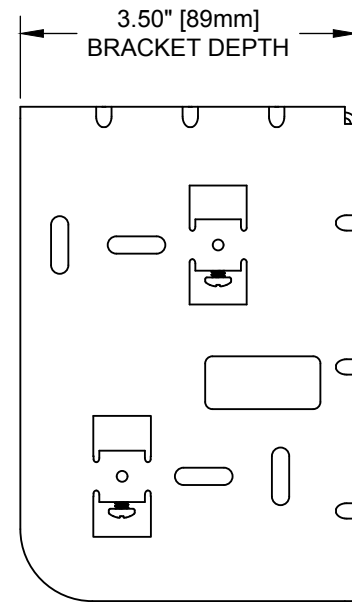
ISOMETRIC VIEW



PLAN VIEW



SECTION VIEW



ELEVATION VIEW

ROLLER 20 DUAL RIGHT SHADE BRACKET

SCALE: 1/2

DRAWING #:

085541

REVISION: A



Lutron Electronics Co., Inc.
7200 Suter Road | Coopersburg, PA 18036 | USA
1(800) 446-1503 | Fax: (610) 282-7439
<http://www.lutron.com>

DETAIL DRAWING