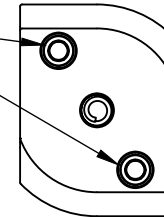
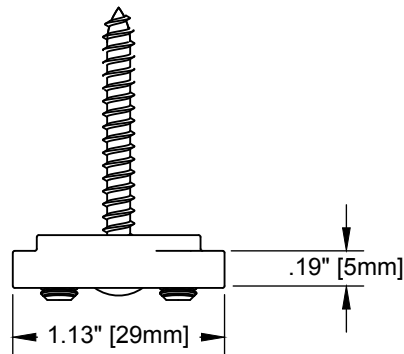


ISOMETRIC VIEW

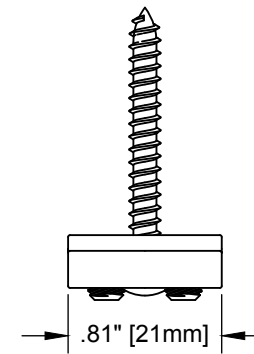
($\frac{3}{32}$ " HEX)
SET SCREWS



PLAN VIEW



SECTION VIEW



ELEVATION VIEW

RECESS BRACKET ASSEMBLY

SCALE: 1/1

DRAWING #: 085563

REVISION: A