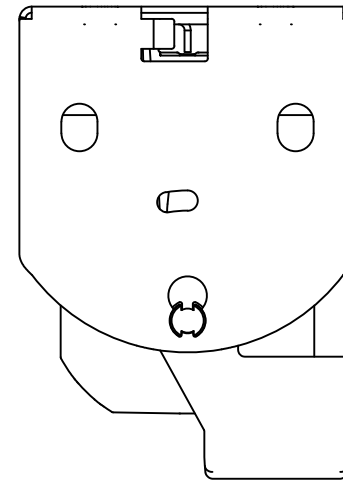
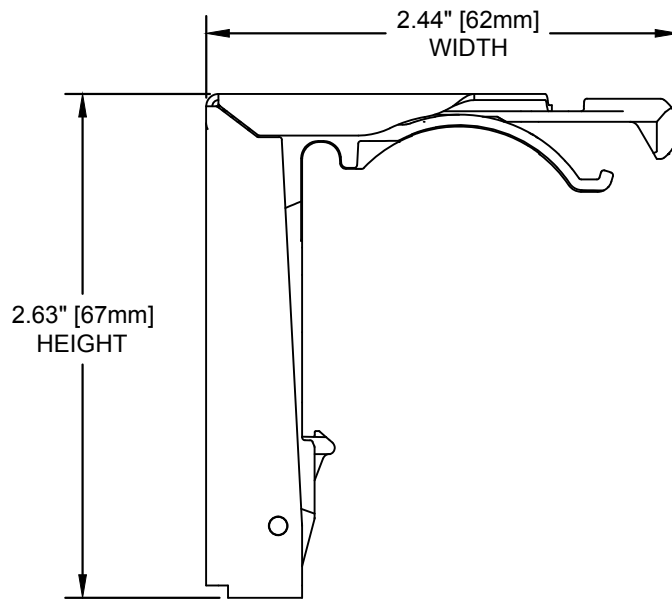


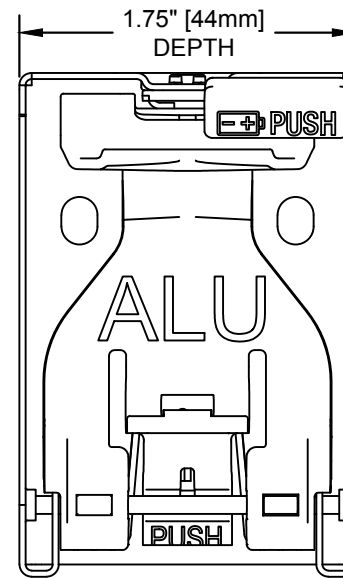
ISOMETRIC VIEW
SCALE: 1/2



PLAN VIEW



SECTION VIEW



ELEVATION VIEW

NOTE:

1. TEXT ON BRACKET VARIES TO MATCH HEADRAIL MATERIAL (PVC OR ALU)

INSULATING HONEYCOMB SHADE TAP'N TILT BRACKET

SCALE: 1/1

DRAWING #: 085621

REVISION: A