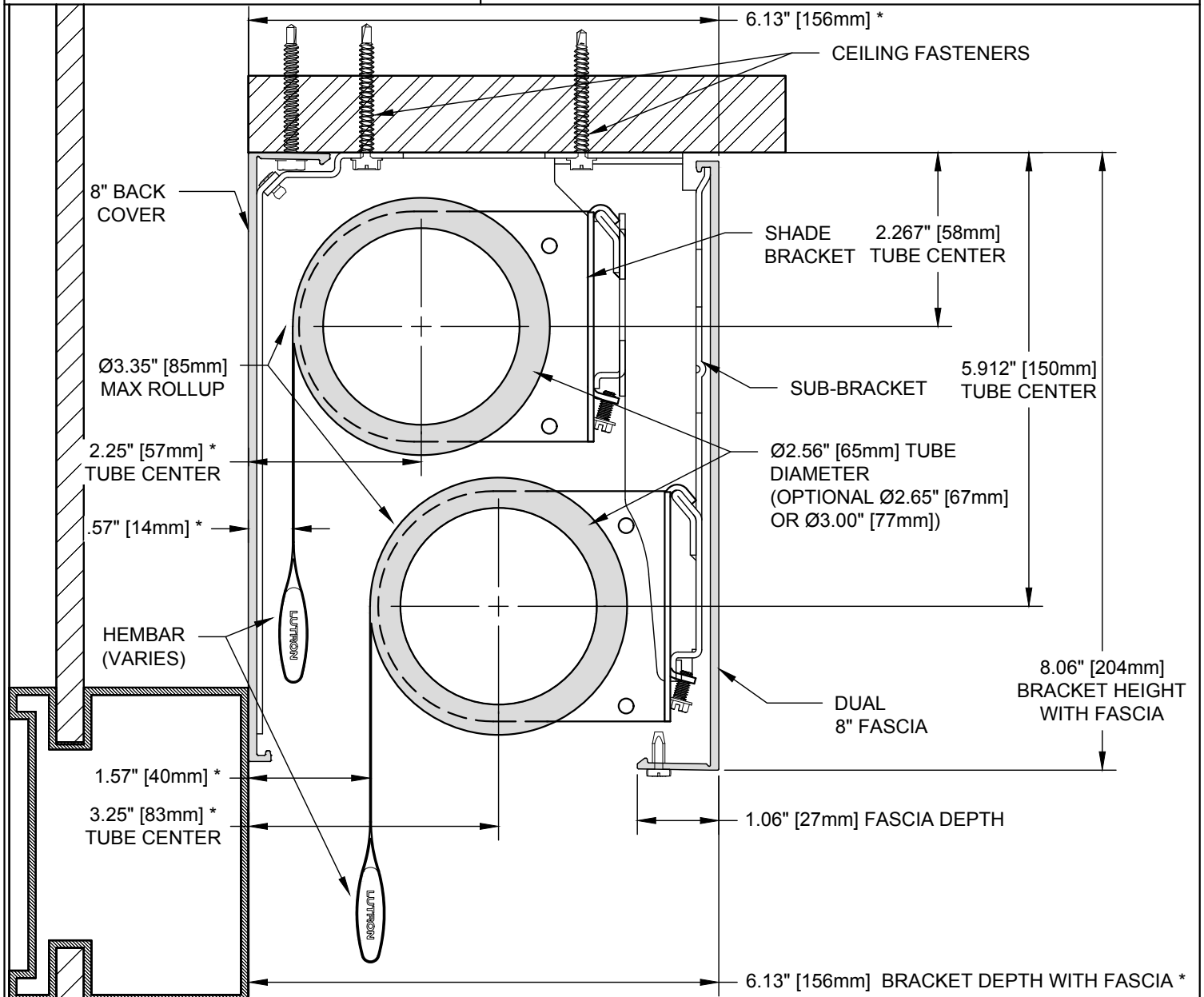


CONTRACT ROLLER MOTORIZED

DUAL FASCIA AND BACK COVER BRACKET

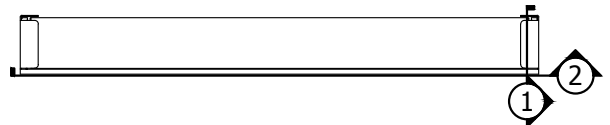


SHADE BRACKET SHIPS WITH SHADE

* WHEN NOT INSTALLING BACK COVER, DEDUCT .11" FROM THESE DIMENSIONS

SHADE INSTALLED AS PROVIDED BY FACTORY WILL HAVE ALL NECESSARY CLEARANCES FOR PROPER OPERATION. IF ADJUSTMENT FEATURES ARE UTILIZED, IT IS THE RESPONSIBILITY OF THE INSTALLER TO ENSURE PROPER CLEARANCES ARE MAINTAINED. NOT ALL ADJUSTMENTS ARE AVAILABLE AT MAXIMUM ROLL Ø.

MULTIPLE MOUNTING CONFIGURATIONS ARE ALLOWED: THIS BRACKET SUPPORTS CEILING OR WALL MOUNTING (CEILING MOUNT SHOWN).



LEGEND (TOP VIEW)

CMR-C

085636

SCALE: 1/1

VIEW: 1

REVISION: A

SECTION VIEW