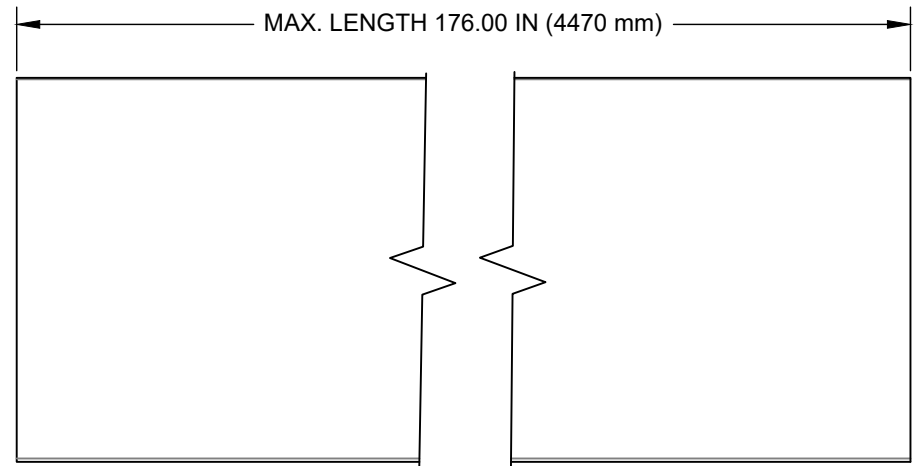
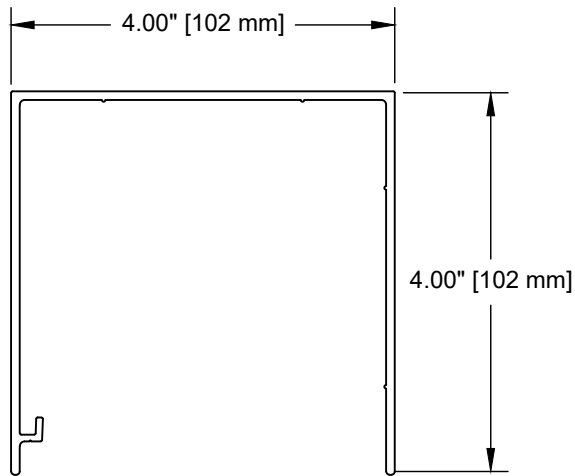
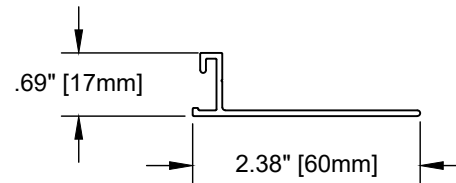
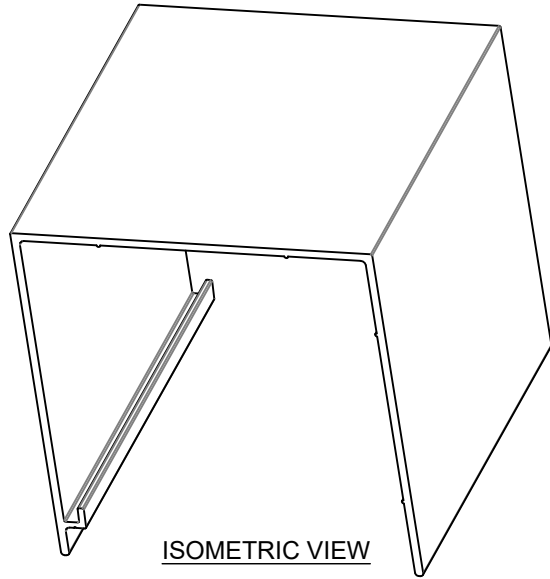


AVAILABLE IN BLACK, BRONZE, SILVER AND WHITE



4" X 4" POCKET

SCALE: 1:1

DRAWING #: 085671

REVISION: A



**LUTRON**

Lutron Electronics Co., Inc.  
7200 Suter Road | Coopersburg, PA 18036 | USA  
1(800) 446-1503 | Fax: (610) 282-7439  
<http://www.lutron.com>

**DETAIL DRAWING**