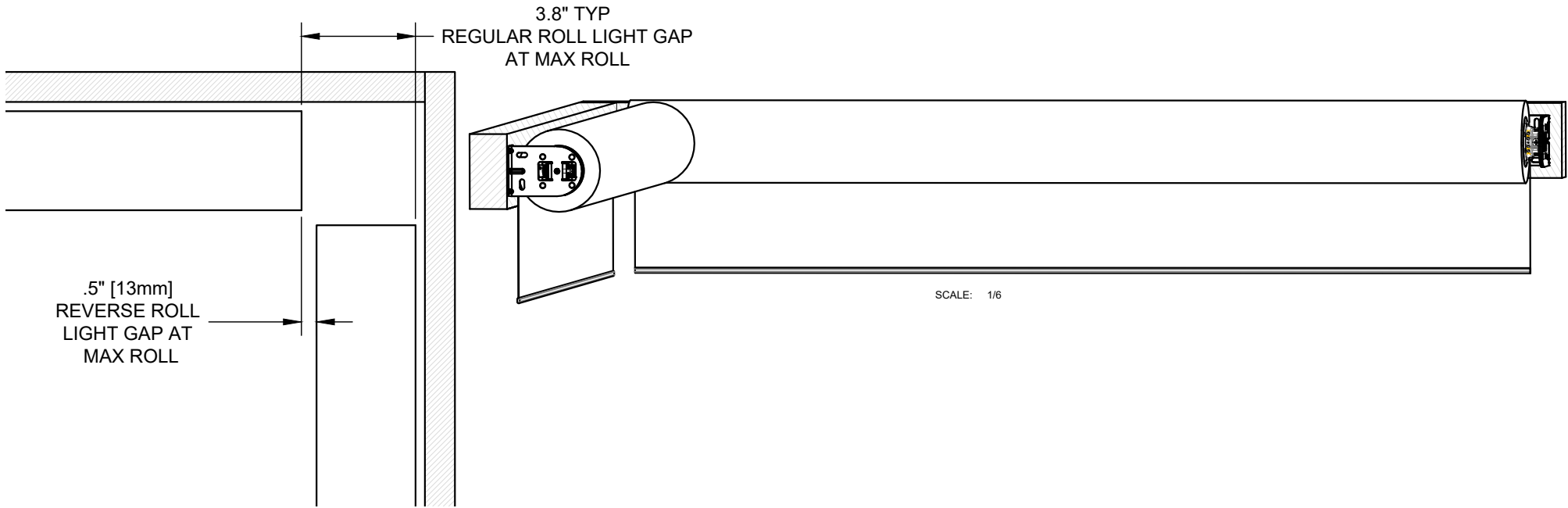


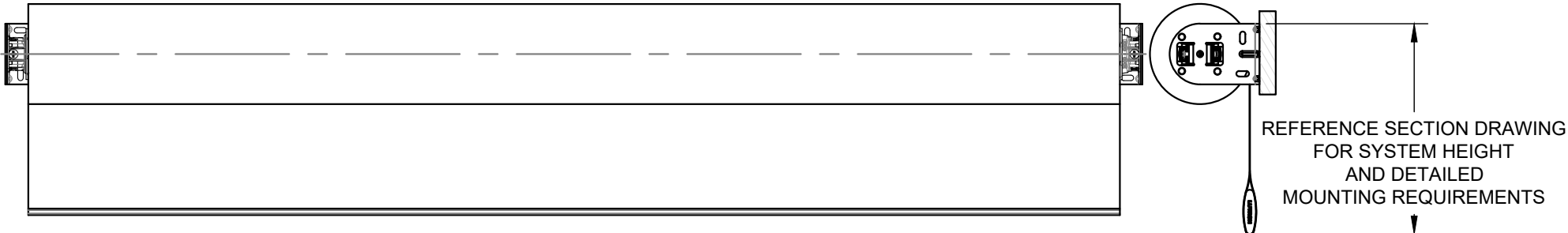
ROLLER 64 WIDR

CORNER TO CORNER TYPICAL DETAILS



SCALE: 1/6

WALL BRACKET SHOWN



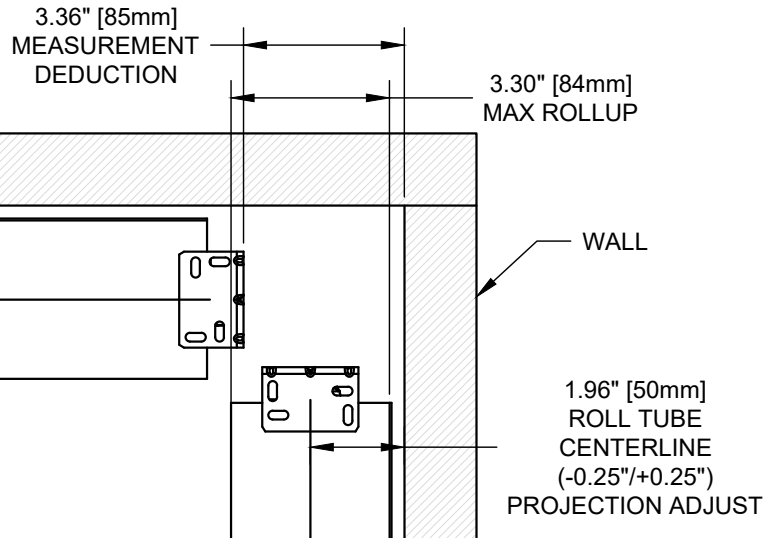
SHADE INSTALLED AS PROVIDED BY FACTORY WILL HAVE ALL NECESSARY CLEARANCES FOR PROPER OPERATION. IF ADJUSTMENT FEATURES ARE UTILIZED, IT IS THE RESPONSIBILITY OF THE INSTALLER TO ENSURE PROPER CLEARANCES ARE MAINTAINED. NOT ALL ADJUSTMENTS ARE AVAILABLE AT MAXIMUM ROLL Ø.

ROLLER 64 WIDR CORNER TO CORNER INSTALLATION		085674
SCALE: 1/5	PAGE: 1	REVISION: A

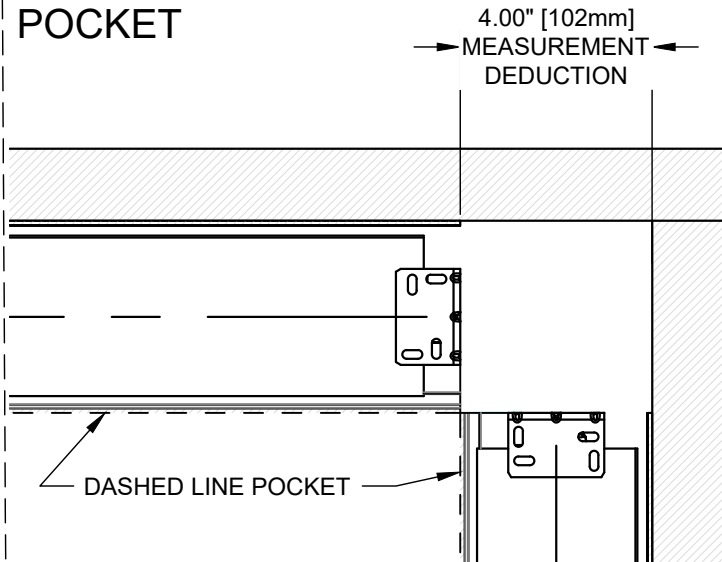
ROLLER 64 WIDR

CORNER TO CORNER BRACKET DETAILS

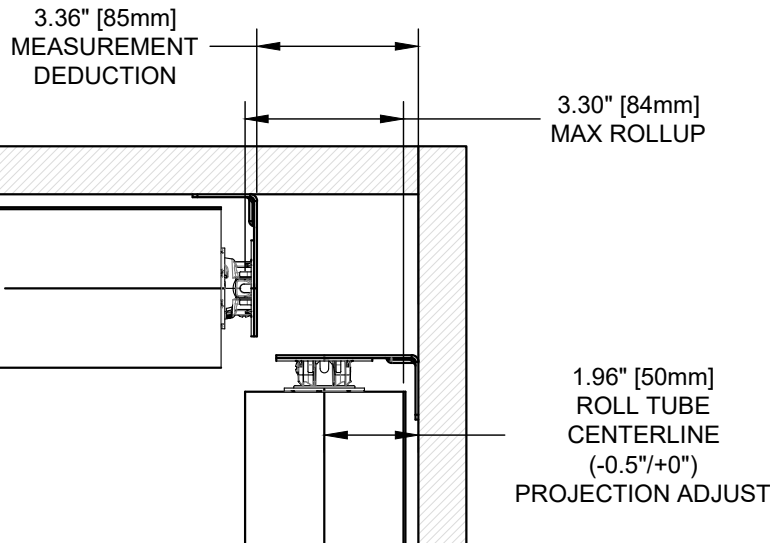
CEILING



POCKET



WALL



FASCIA

NOT RECOMMENDED

SHADE INSTALLED AS PROVIDED BY FACTORY WILL HAVE ALL NECESSARY CLEARANCES FOR PROPER OPERATION. IF ADJUSTMENT FEATURES ARE UTILIZED, IT IS THE RESPONSIBILITY OF THE INSTALLER TO ENSURE PROPER CLEARANCES ARE MAINTAINED. NOT ALL ADJUSTMENTS ARE AVAILABLE AT MAXIMUM ROLL Ø. **MINIMUM RECOMMENDED DEDUCTIONS BASED ON 90° CORNER AND DEDUCTIONS APPLIED TO BOTH SHADES.**

ROLLER 64 WIDR CORNER TO CORNER INSALLATION

085674

SCALE: 1/4

PAGE: 2

REVISION: A