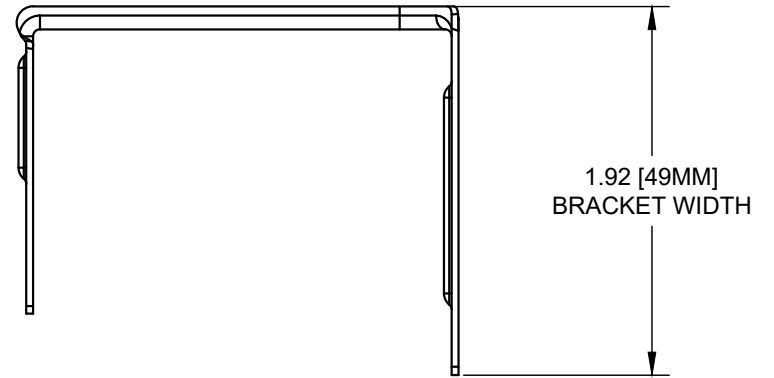
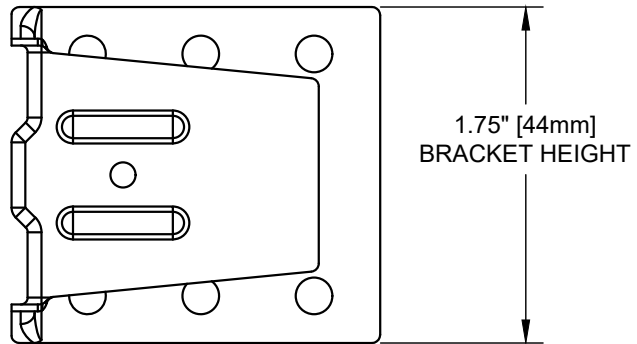


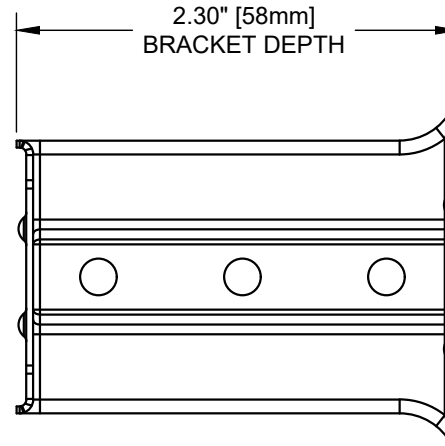
ISOMETRIC VIEW



PLAN VIEW



SECTION VIEW



ELEVATION VIEW

SERENA AND TRIATHLON WOOD BLINDS CENTER SUPPORT

SCALE: 1:1

DRAWING #: 085687

REVISION:A



Lutron Electronics Co., Inc.  
7200 Suter Road | Coopersburg, PA 18036 | USA  
1(800) 446-1503 | Fax: (610) 282-7439  
<http://www.lutron.com>

**DETAIL DRAWING**