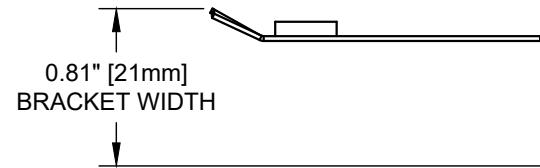
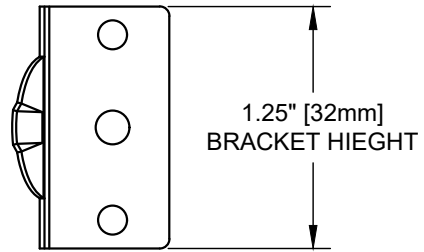


ISOMETRIC VIEW



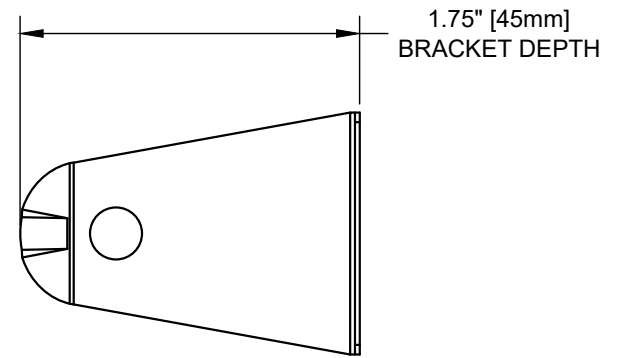
0.81" [21mm]
BRACKET WIDTH

PLAN VIEW



1.25" [32mm]
BRACKET HIEGHT

SECTION VIEW



1.75" [45mm]
BRACKET DEPTH

ELEVATION VIEW

SERENA AND TRIATHLON WOOD BLINDS HOLD DOWN BRACKET

SCALE: 1:1

DRAWING #: 085688

REVISION: A



Lutron Electronics Co., Inc.
7200 Suter Road | Coopersburg, PA 18036 | USA
1(800) 446-1503 | Fax: (610) 282-7439
<http://www.lutron.com>

DETAIL DRAWING