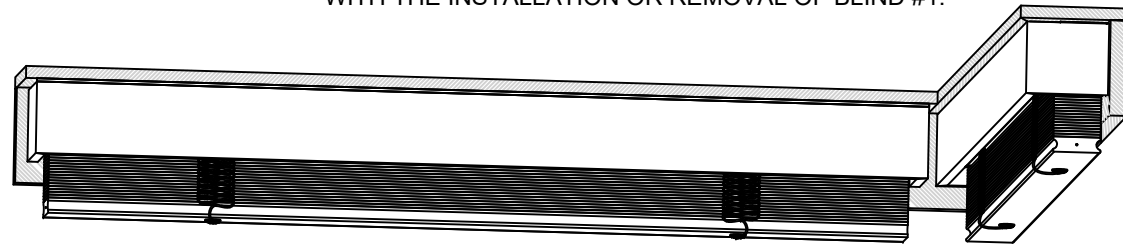
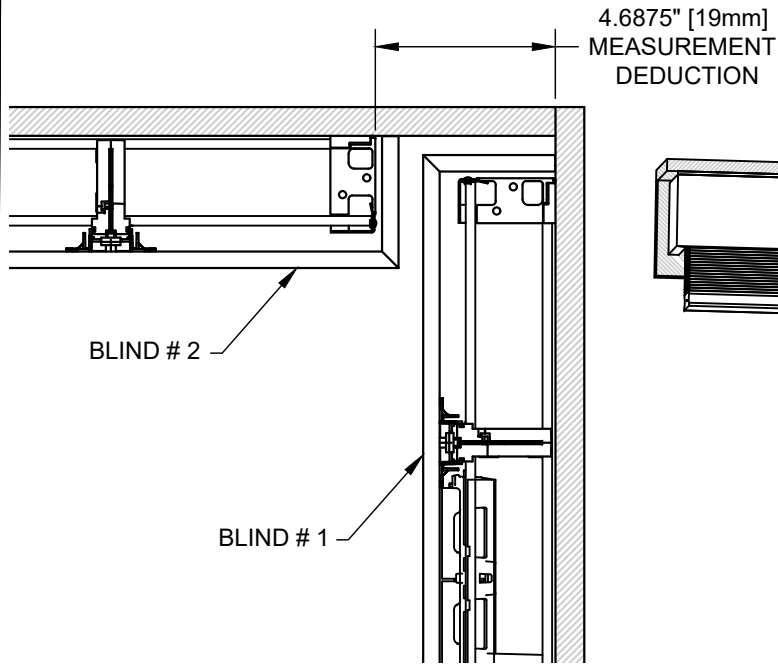
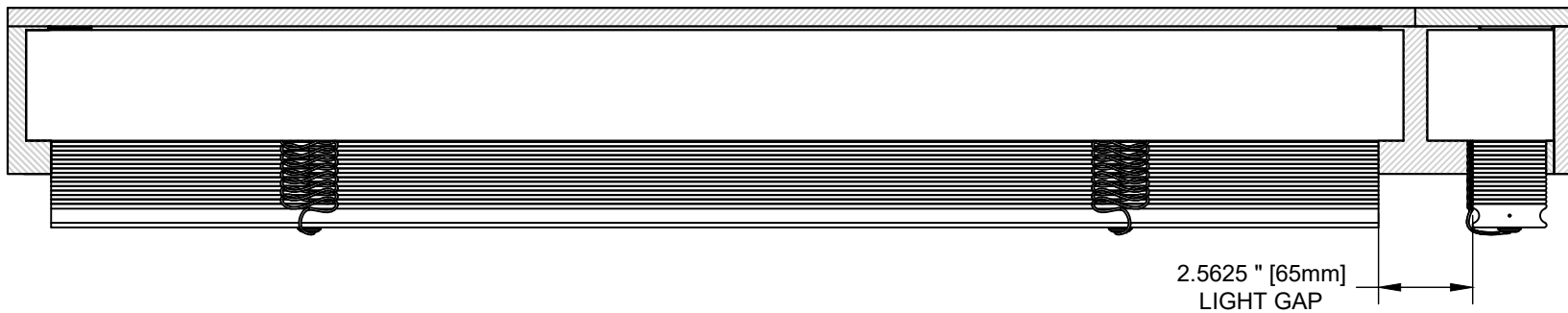


FOR CORNER MOUNTING APPLICATIONS, BUTT AND PASS NOT RECOMMENDED. USE CORNER TO CORNER INSTEAD. IF BUTT AND PASS IS REQUIRED, BE ADVISED THAT BLIND #1 SHOULD BE COMPLETELY INSTALLED BEFORE BRACKETS FOR BLIND #2 ARE INSTALLED, AS THE BRACKETS FOR BLIND #2 WILL INTERFERE WITH THE INSTALLATION OR REMOVAL OF BLIND #1.



SCALE: 1/6

REFERENCE SECTION DRAWING FOR
DETAILED MOUNTING REQUIREMENTS



SERENA AND TRIATHLON WOOD BLINDS

085691

SCALE: 1/5

PAGE: 1

REVISION: A



Lutron Electronics Co., Inc.
7200 Suter Road | Coopersburg, PA 18036 | USA
1(800) 446-1503 | Fax: (610) 282-7439
<http://www.lutron.com>

AUXILIARY VIEWS