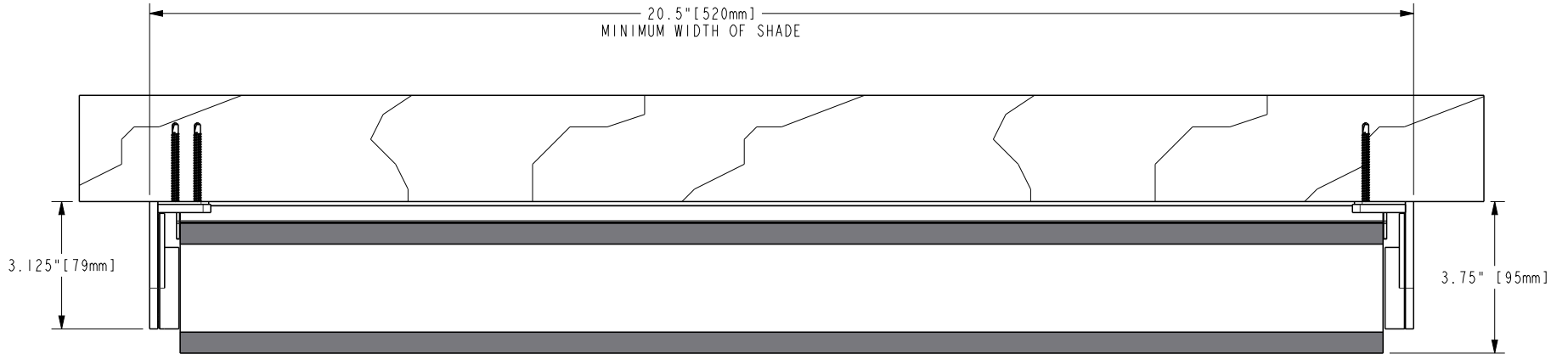


**PALLADIOM WIRE-FREE SHADE**

**WALL MOUNT SHADE**



SHADE INSTALLED AS PROVIDED BY FACTORY WILL HAVE ALL NECESSARY CLEARANCES FOR PROPER OPERATION. IT IS THE RESPONSIBILITY OF THE MASTER TECHNICIAN TO ENSURE PROPER CLEARANCES ARE MAINTAINED AFTER INSTALLATION.

**PALLADIOM WIRE-FREE SHADE**

085711

SCALE: 1/4

VIEW: PLAN

REVISION: |



Lutron Electronics Co., Inc.  
7200 Suter Road | Coopersburg, PA 18036 | USA  
1(800) 446-1503 | Fax: (610) 282-7439  
<http://www.lutron.com>

**PLAN VIEW**