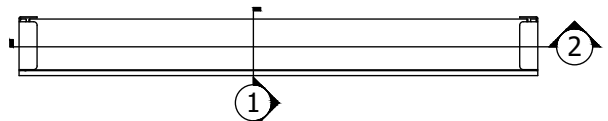
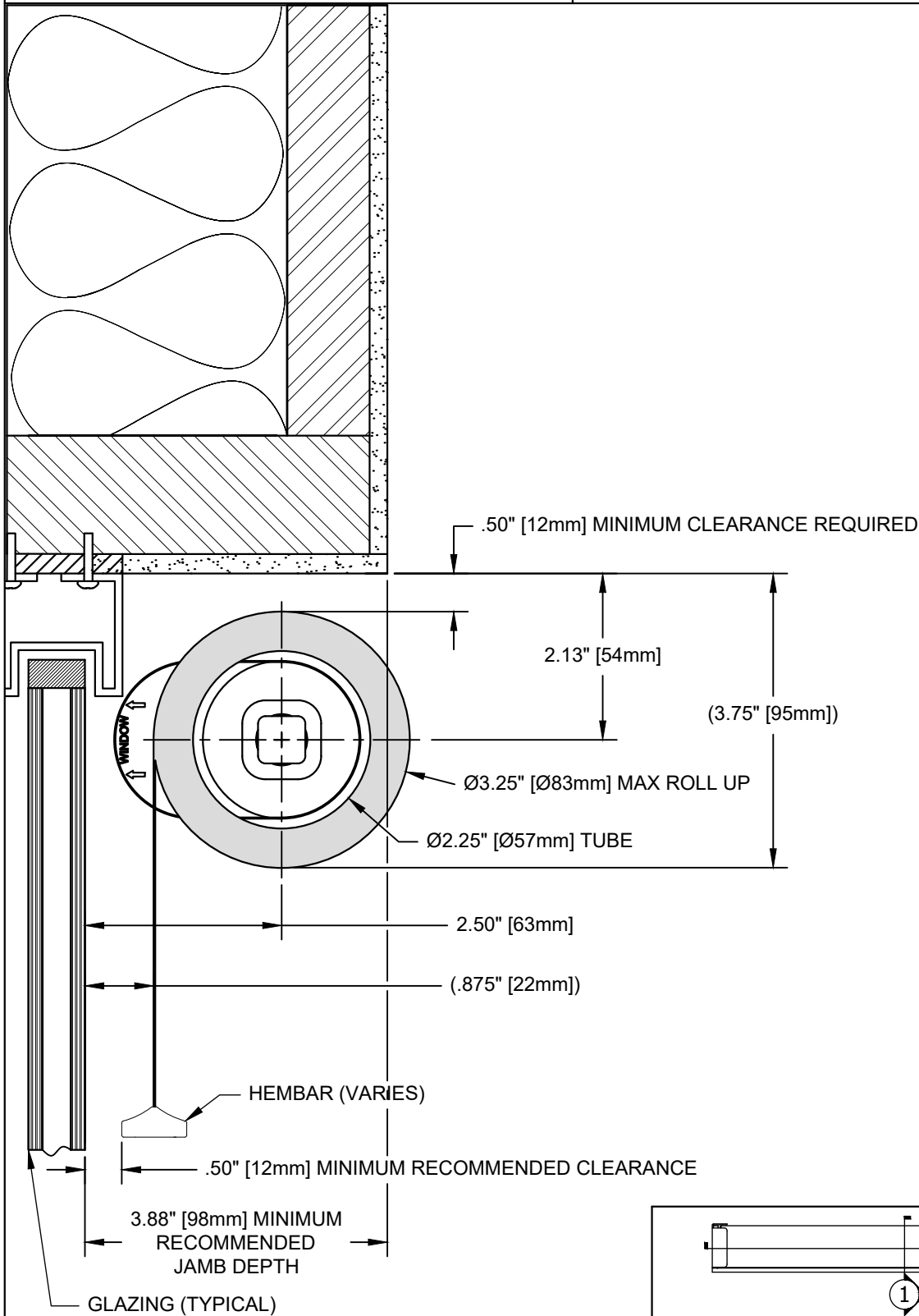


PALLADIOM WIRE-FREE SHADE

JAMB MOUNT SHADE



LEGEND (TOP VIEW)

SHADE INSTALLED AS PROVIDED BY FACTORY WILL HAVE ALL NECESSARY CLEARANCES FOR PROPER OPERATION. IT IS THE RESPONSIBILITY OF THE MASTER TECHNICIAN TO ENSURE PROPER CLEARANCES ARE MAINTAINED AFTER INSTALLATION.

PALLADIOM WIRE-FREE SHADE 085716

SCALE: 1/2 VIEW: 1 REVISION: A