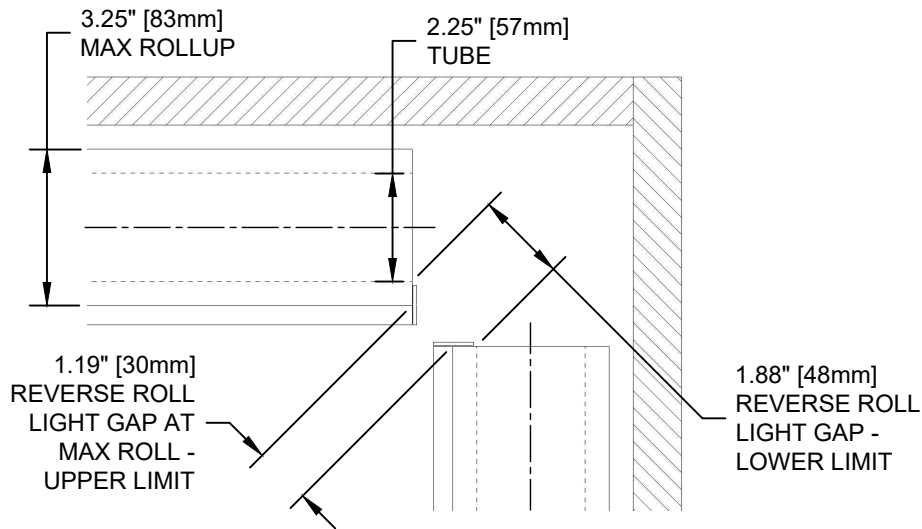
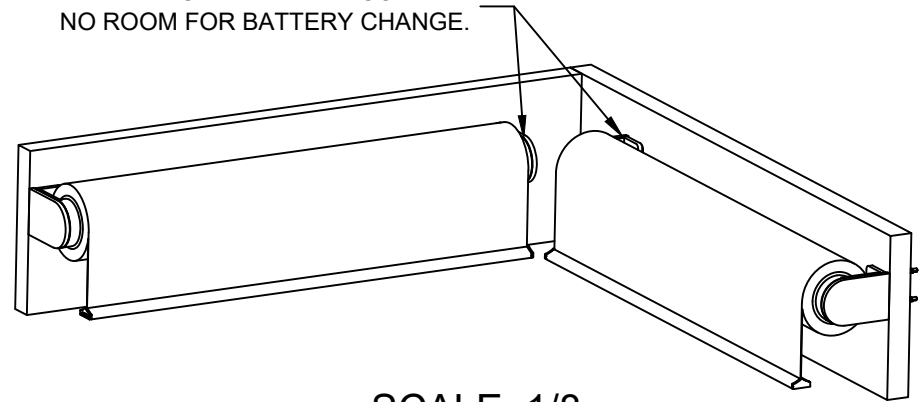


PALLADIOM WIRE-FREE SHADE

CORNER TO CORNER TYPICAL DETAILS

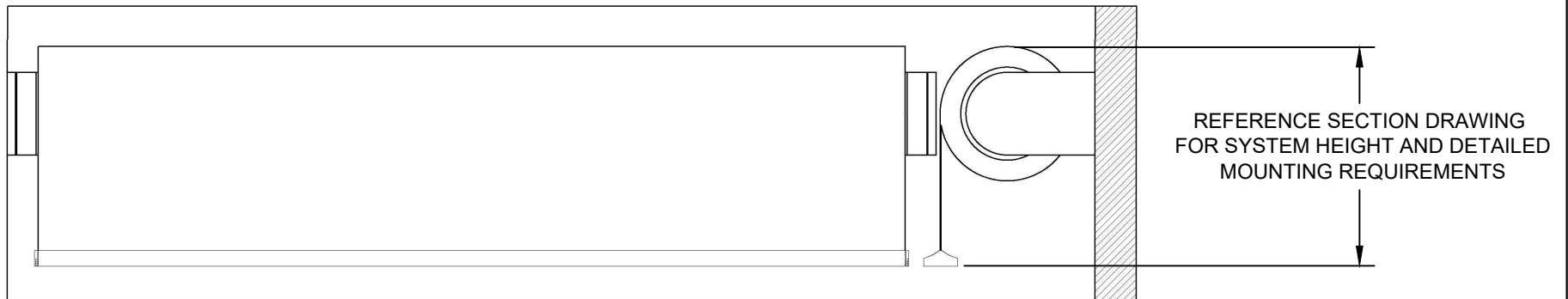


IDLERS MUST BE IN THE CORNER.  
NO ROOM FOR BATTERY CHANGE.



SCALE: 1/8

WALL MOUNT BRACKET SHOWN



SHADE INSTALLED AS PROVIDED BY FACTORY WILL HAVE ALL NECESSARY CLEARANCES FOR PROPER OPERATION. IT IS THE RESPONSIBILITY OF THE MASTER TECHNICIAN TO ENSURE PROPER CLEARANCES ARE MAINTAINED AFTER INSTALLATION.

PWF SHADE CORNER INSTALLATION

085737

SCALE: 1/4

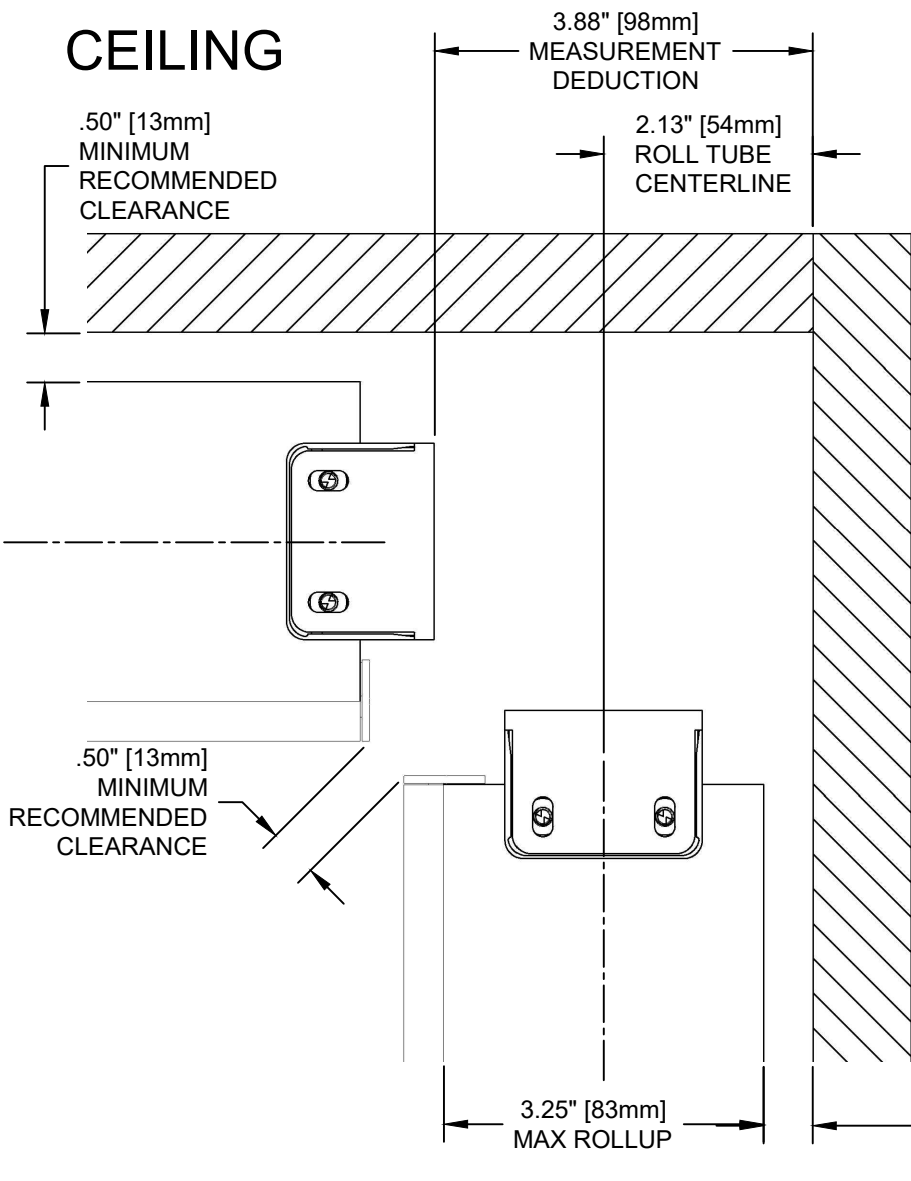
PAGE: 1

REVISION: A

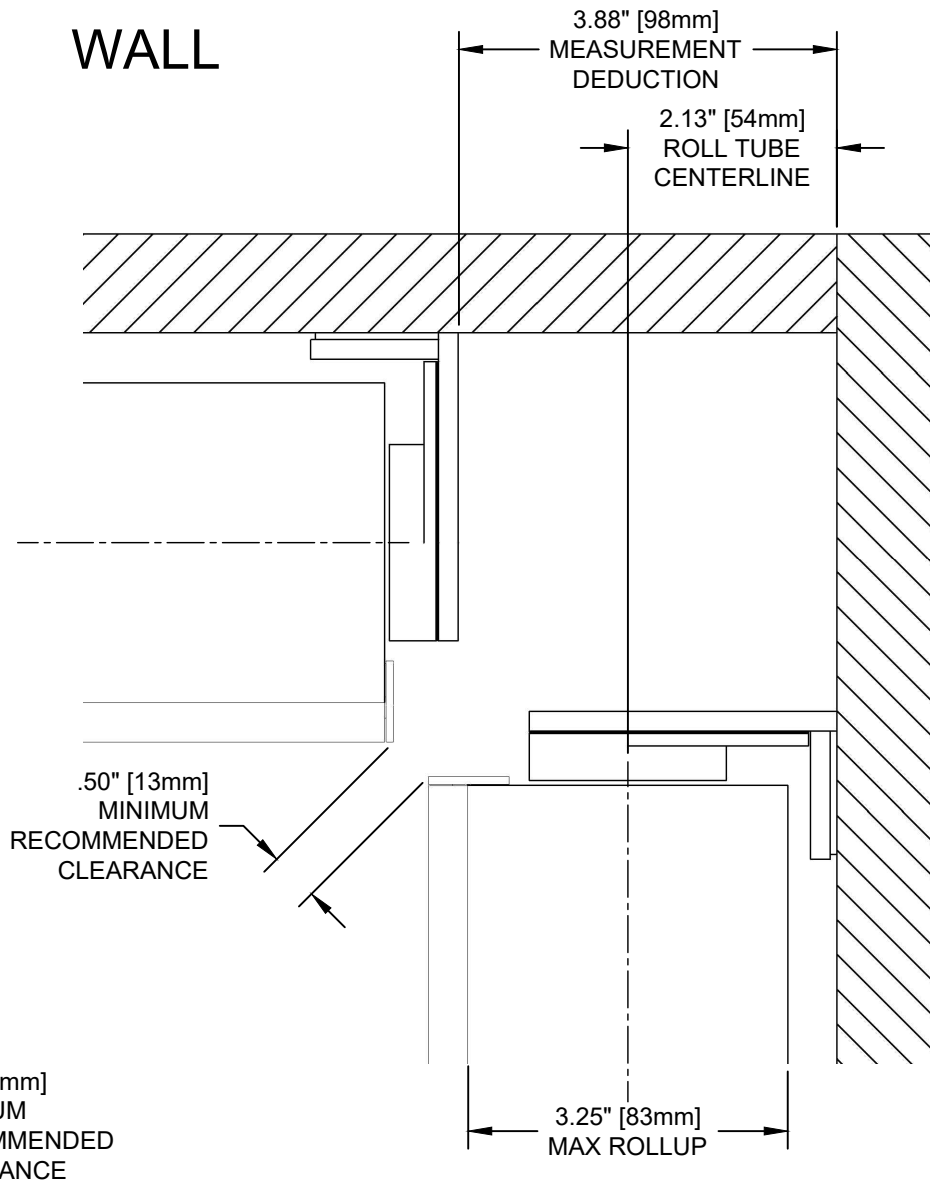
PALLADIOM WIRE-FREE SHADE

CORNER TO CORNER BRACKET DETAILS

CEILING



WALL



SHADE INSTALLED AS PROVIDED BY FACTORY WILL HAVE ALL NECESSARY CLEARANCES FOR PROPER OPERATION. IT IS THE RESPONSIBILITY OF THE MASTER TECHNICIAN TO ENSURE PROPER CLEARANCES ARE MAINTAINED AFTER INSTALLATION.

PWF SHADE CORNER INSTALLATION

085737

SCALE: 1/2

PAGE: 2

REVISION: A