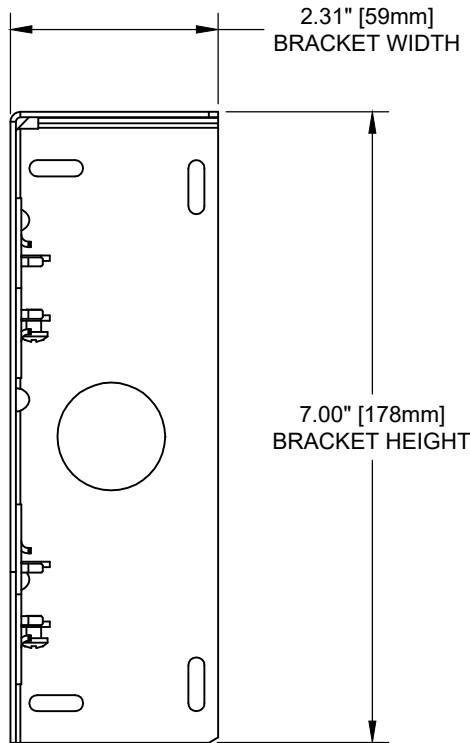
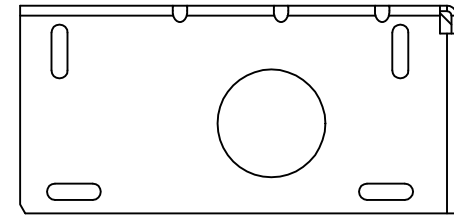


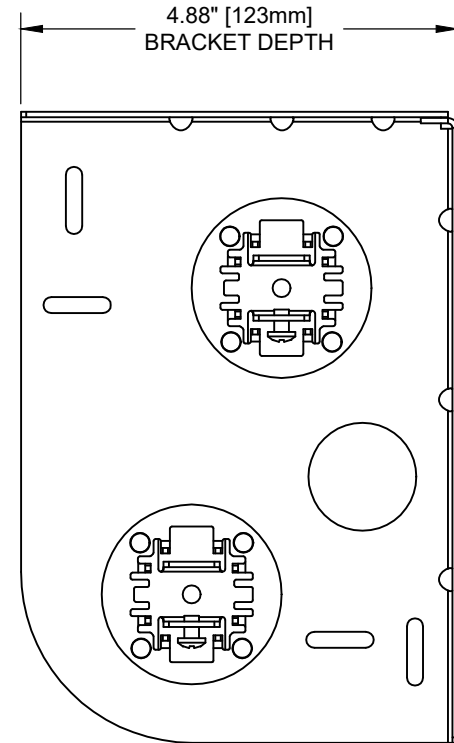
ISOMETRIC VIEW



ELEVATION VIEW



PLAN VIEW



SECTION VIEW

R64 WIDR DUAL BRACKET

SCALE: 1/2

DRAWING #: 085778

REVISION: A



Lutron Electronics Co., Inc.  
 7200 Suter Road | Coopersburg, PA 18036 | USA  
 1(800) 446-1503 | Fax: (610) 282-7439  
<http://www.lutron.com>

**DETAIL DRAWING**