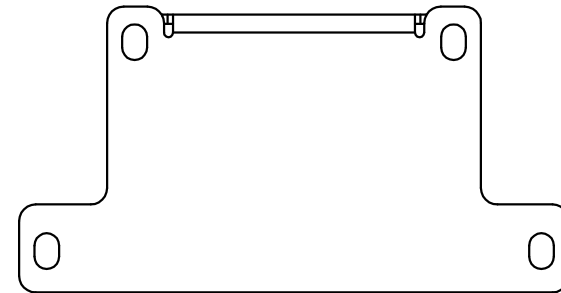
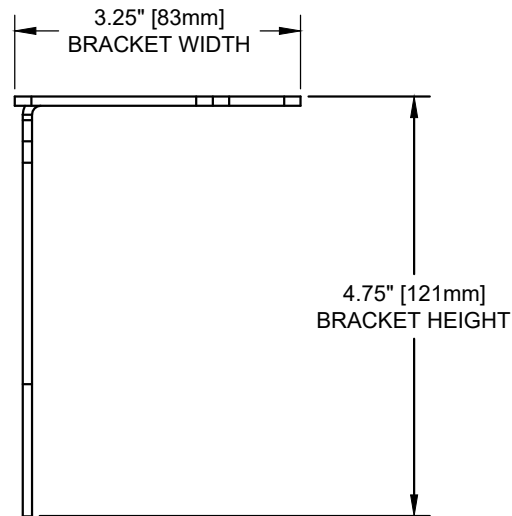


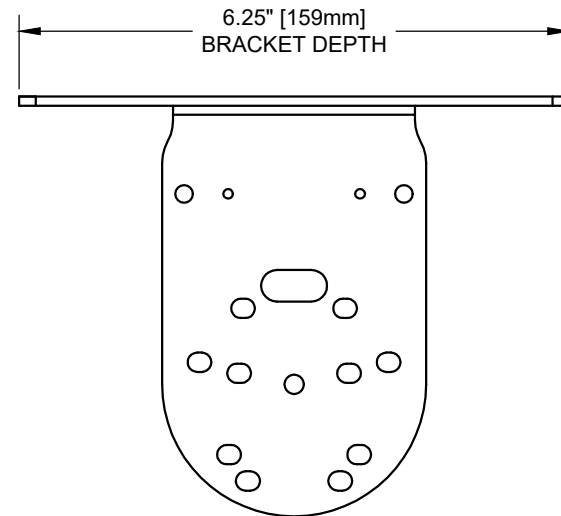
ISOMETRIC VIEW



PLAN VIEW



ELEVATION VIEW



SECTION VIEW

CLERESTORY SHADE BRACKET

SCALE: 1/2

DRAWING #: 085781

REVISION: B



LUTRON

Lutron Electronics Co., Inc.
7200 Suter Road | Coopersburg, PA 18036 | USA
1(800) 446-1503 | Fax: (610) 282-7439
<http://www.lutron.com>

DETAIL DRAWING