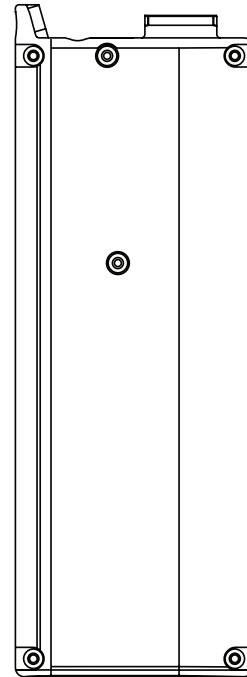


# Lutron | D145 Curtain Track System Capacity Specification (for regions excluding the US and Canada)

The Lutron D145 curtain track utilizes the ultra-quiet, precision controlled D145 Electronic Drive Unit, which is capable of operating a curtain weighing up to 66 kg.

### Features

- Compatible with Sivoia QS Wireless and Sivoia QS operating types
- Operates up to 66 kg curtains
- Compatible with single, dual, tandem, and dual-tandem tracks
- Tracks available with pinch pleat, S-Fold or ripple fold curtain panels
- Curved track solutions available  
(For complete conditions, limitations, and ordering of curved tracks, please contact your regional office.)



Lutron D145 Electronic Drive Unit

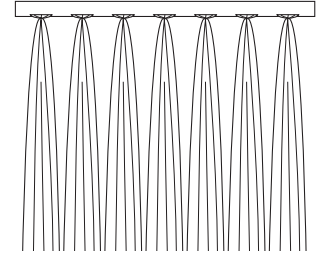
Job Name:	Model Numbers:
Job Number:	

## System Capacity

### Pinch Pleat Capacity

Use this chart to determine the maximum curtain panel size the D145 curtain system can operate, based on height and weight.

D145 pinch pleat system capacity			
System width	Straight track	Curved track, 1 bend	Curved track, 2 bends
610 mm to 813 mm	9.1 kg	N/A	N/A
813 mm to 1 118 mm	13.6 kg	13.6 kg	N/A
1 118 mm to 1 422 mm	18.1 kg	18.1 kg	N/A
1 422 mm to 1 727 mm	24.9 kg	24.9 kg	18.1 kg
1 727 mm to 2 134 mm	29.5 kg	29.5 kg	20.4 kg
2 134 mm to 2 743 mm	36.3 kg	36.3 kg	22.7 kg
2 473 mm to 3 658 mm	47.6 kg	38.6 kg	22.7 kg
3 658 mm to 4 572 mm	65.8 kg	40.8 kg	24.9 kg
4 572 mm to 5 486 mm	61.2 kg	43.1 kg	24.9 kg
5 486 mm to 6 401 mm	54.4 kg	43.1 kg	24.9 kg
6 401 mm to 7 315 mm	49.9 kg	43.1 kg	22.7 kg
7 315 mm to 8 230 mm	45.4 kg	40.8 kg	22.7 kg
8 230 mm to 9 144 mm	40.8 kg	38.6 kg	20.4 kg



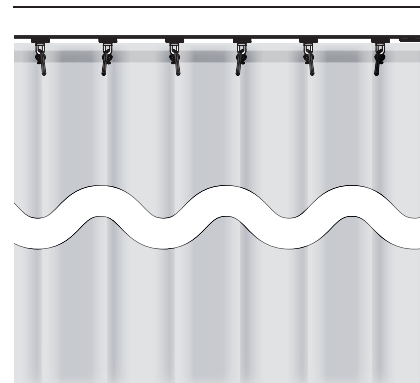
#### Notes:

- Pinch pleat fullness of 3:1 is allowable for sheer curtains only. All other curtains must have a fullness no greater than 2.5:1
- Curved radius to be 508 mm or greater; 90° is the tightest inside angle possible; smaller angles are not allowed

### S-Fold Capacity

Use this chart to determine the maximum curtain panel size the D145 curtain system can operate, based on height and weight.

D145 S-Fold system capacity	
System width	Straight track
610 mm to 813 mm	13.6 kg
813 mm to 1 118 mm	18.1 kg
1 118 mm to 1 422 mm	24.9 kg
1 422 mm to 1 727 mm	31.8 kg
1 727 mm to 2 134 mm	38.6 kg
2 134 mm to 2 743 mm	47.6 kg
2 743 mm to 3 353 mm	63.5 kg
3 353 mm to 4 267 mm	56.7 kg
4 267 mm to 5 486 mm	40.8 kg



**Note:** S-Fold is available in 2 spacing options: 60 mm and 80 mm (Not available with curved tracks)

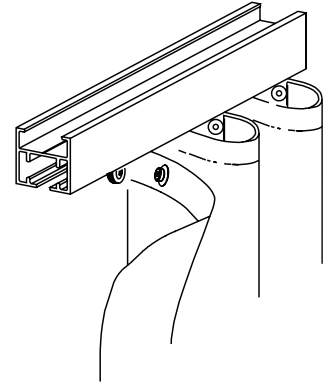
Job Name:	Model Numbers:
Job Number:	

## System Capacity (cont.)

### Ripple fold Capacity

Use this chart to determine the maximum curtain panel size the D145 curtain system can operate, based on height and weight.

D145 ripple fold system capacity	
System width	Straight track
610 mm to 813 mm	13.6 kg
813 mm to 1 118 mm	18.1 kg
1 118 mm to 1 422 mm	24.9 kg
1 422 mm to 1 727 mm	31.8 kg
1 727 mm to 2 134 mm	38.6 kg
2 134 mm to 2 743 mm	47.6 kg
2 743 mm to 3 353 mm	63.5 kg
3 353 mm to 4 267 mm	56.7 kg
4 267 mm to 5 486 mm	40.8 kg



**Note:** Ripple fold is available in 3 fullness factors: 80%, 100%, 120% (Not available with curved tracks)

The Lutron logo, Lutron, and Sivoia QS are trademarks or registered trademarks of Lutron Electronics Co., Inc. in the US and/or other countries.

**LUTRON** SPECIFICATION SUBMITTAL

Page

Job Name:	Model Numbers:
Job Number:	